



**This document is brought to you by courtesy of
the National Cycle Archive
In partnership with the
Veteran-Cycle Club**

Please acknowledge the source if you refer to this material.

Find out more about the National Cycle Archive [here](#)





Dyna-Tech 925 Vento. Limited Edition model built to special order only. Specification includes Campagnolo Chorus groupset and Campagnolo Vento Wheels. Contact your Dyna-Tech dealer for geometry and specification details.

If you're committed to winning, there's no turning back. Your only way is forward with the advanced technology of the 1994 Dyna-Tech road racing range.

Experience, flair and a race pedigree, established over many years at the world's highest competitive levels, drives our product development programme to continually break new ground. And this year is no exception.

1994 sees the launch of a major new product – the 900 series welded Titanium race frame.



Sporting a full Oversize Titanium tubeset, specially developed with IMI, the 900 series main triangle is Plasma Arc welded on our unique custom designed robot, ensuring consistent joint quality and ultimate frame performance.

This technology, leading edge design and pure Dyna-Tech spirit are fused in the frame to deliver every advantage on weight, power transmission and pure riding pleasure, making it a true object of desire.

Team Raleigh, the Delta RT amateurs and many other top competitive riders will be up front on DYNA-TECH frames again this season. Their



input, like yours, contributes to our development programme and our overriding objective to bring high performance product to the widest possible audience.

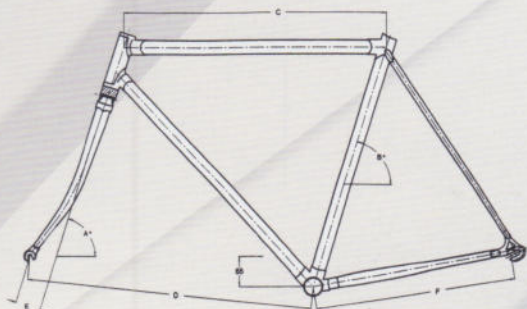
Whether you are a dedicated competitor, ride as part of a fitness regime or simply want to own an object of desire – the 1994 DYNA-TECH range is the start to your winning season.



£635



SIZE	A*	B*	C	D	E	F
49	72"	75"	520	579	48	405
52	72"	75"	528	584	48	405
54.5	72"	74"	545	593	48	405
57	73"	73"	572	602	45	405
59.5	74"	73"	580	608	42	405

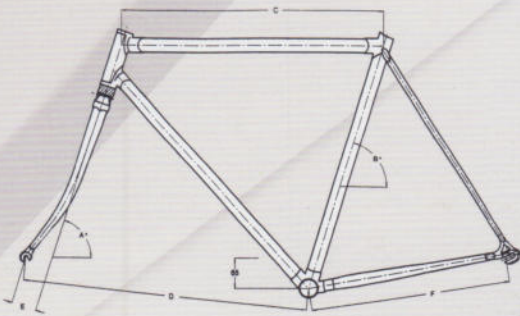


- FRAME** Dual Technology Titanium/Cr-Mo. 49, 52, 54.5, 57, 59.5cms.
FORK Reynolds taper gauge Cr-Mo blades, precision cast sloping crown.
WHEELS Rims - Alesa 613 silver anodised. Hubs - Campagnolo Stratos. Spokes - ACI butted stainless. Tyres - Michelin Select 700x23C.
HANDLEBAR ITM Europa.
STEM SR Custom black.
HEADSET Campagnolo Stratos.
DERAILLEUR Campagnolo Stratos with Ergopower levers.
BRAKES Campagnolo Stratos.
CHAINSET Campagnolo Stratos 53/42T, 170/172.5mm.
FREEWHEEL 12-23T. 8 speed cassette.
SADDLE Selle Italia Expedia, Manganese chassis.
SEAT PIN Dyna-Tech 4130 Cr-Mo.
PEDALS Shimano PD-A550 with toe clips and straps.
WEIGHT 11 kilos (including tri-bars).
EXTRAS Clip on tri-bars.
COLOUR Ruby Shadow.

£875



SIZE	A"	B"	C	D	E	F
52	72"	75"	528	584	48	405
54.5	72"	74"	545	593	48	405
57	73"	73"	572	602	45	405
59.5	74"	73"	580	606	42	405

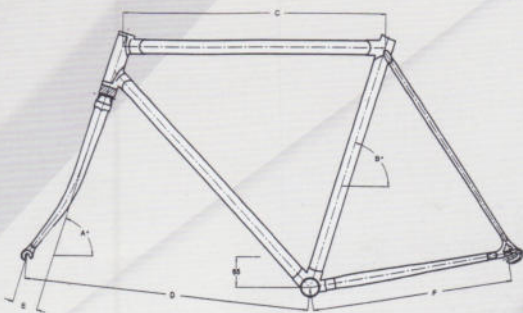


- FRAME** 700 Series fully bonded construction. IMI Custom Drawn Titanium main tubes with Reynolds Mn/Mo stays. 52, 54.5, 57, 59.5cms.
- FORK** Reynolds Mn/Mo taper gauge blades, precision cast sloping crown.
- WHEELS** Rims – Mavic MA2/192 Argent. Hubs – Shimano 105. Spokes – ACI butted stainless. Tyres – Michelin Hi-Lite Comp 700x20C.
- HANDLEBAR** ITM Italia Pro.
- STEM** ITM 400.
- HEADSET** Shimano 105.
- DERAILLEUR** Shimano 105 with STI levers.
- BRAKES** Shimano 105.
- CHAINSET** Shimano 105 53/42T, 170/172.5mm.
- FREEWHEEL** Shimano 12-23T. 8 speed Hyperglide cassette.
- SADDLE** Selle Italia Turbomatic.
- SEAT PIN** Dyna-Tech 4130 Cr-Mo.
- PEDALS** Shimano PD-A550 with toe clips and straps are supplied to comply with British Standards. Due to the large variety of clipless pedal systems, the choice of this type of pedal is left to the customer's discretion.
- WEIGHT** 9.4 kilos.
- COLOUR** Fantasy Blue decor, Cyclamen trim.

£495,



SIZE	A°	B°	C	D	E	F
52	72°	75°	528	584	48	405
54.5	72°	74°	545	593	48	405
57	73°	73°	572	602	45	405
59.5	74°	73°	580	606	42	405

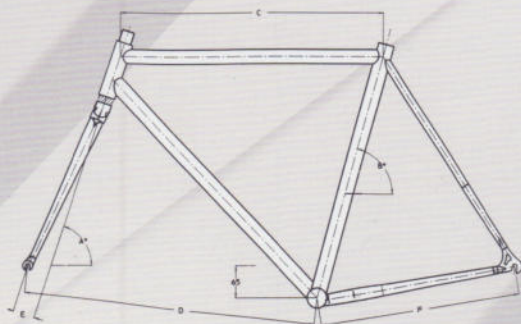


- FRAME** Dual Technology Titanium/Cr-Mo. 52, 54.5, 57, 59.5cms.
- FORK** Reynolds taper gauge Cr-Mo blades, precision cast sloping crown.
- WHEELS** Rims - Alesa 613 silver anodised. Hubs - Shimano 500 EX. Spokes - ACI butted stainless. Tyres - Michelin Select 700x23C.
- HANDLEBAR** ITM Europa.
- STEM** SR Custom black.
- HEADSET** Shimano HP A500.
- DERAILLEUR** Shimano 500EX.
- BRAKES** Shimano 500EX Dual Pivot.
- CHAINSET** Shimano RX 100 53/42T.
- FREEWHEEL** 13-23T. 7 speed Hyperglide cassette.
- SADDLE** Selle Italia Expedia.
- SEAT PIN** Dyna-Tech 4130 Cr-Mo.
- PEDALS** Shimano PD-A550 with toe clips and straps.
- WEIGHT** 10.4 kilos.
- COLOUR** Seville Shadow.

£1450



SIZE	A°	B°	C	D	E	F
52	72°	75°	530	588	45	405
54	72°	74°	545	594	45	405
56	73°	74°	560	600	45	410
58	73°	73°	570	600	45	410
60	74°	72°	580	587	42	415

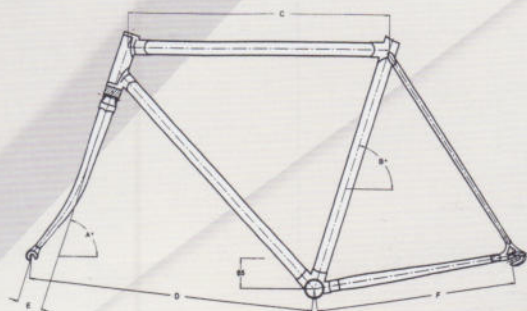


- FRAME** New 900 Series fully welded Titanium. 52, 54, 56, 58, 60cms.
- FORK** New straight blade design featuring Reynolds custom tubes and precision cast hollow crown.
- WHEELS** Rims – Mavic Open 4CD. Hubs – Shimano Ultegra. Spokes – ACI butted stainless. Tyres – Michelin Super Comp HD23.
- HANDLEBAR** ITM Italia Pro.
- STEM** ITM 400.
- HEADSET** Shimano 6500 Cartridge.
- DERAILLEUR** Shimano Ultegra with STI levers.
- BRAKES** Shimano Ultegra.
- CHAINSET** Shimano Ultegra 53/42T, 170/172.5mm.
- FREEWHEEL** Shimano 12-21T. 8 speed Hyperglide cassette.
- SADDLE** San Marco Squadra Titanium.
- SEAT PIN** Polished alloy 220mm.
- PEDALS** Shimano PD-A550 with toe clips and straps are supplied to comply with British Standards. Due to the large variety of clipless pedal systems, the choice of this type of pedal is left to the customer's discretion.
- WEIGHT** 9.17 kilos
- COLOUR** Polished Titanium, Black trim.

£1100



SIZE	A*	B*	C	D	E	F
52	72°	75°	528	584	48	405
54.5	72°	74°	545	593	48	405
57	73°	73°	572	602	45	405
59.5	74°	73°	580	608	42	405



- FRAME** 700 Series fully bonded construction. IMI Custom Drawn Titanium main tubes with Reynolds Mn/Mo stays. 52, 54.5, 57, 59.5cms.
- FORK** Reynolds Mn/Mo taper gauge blades, precision cast sloping crown.
- WHEELS** Rims – Mavic Open 4CD. Hubs – Ultegra. Spokes – ACI butted stainless. Tyres – Michelin Hi-Lite Comp 700x20C.
- HANDLEBAR** ITM Italia Pro.
- STEM** ITM 400.
- HEADSET** Shimano Ultegra.
- DERAILLEUR** Shimano Ultegra with STI levers.
- BRAKES** Shimano Ultegra.
- CHAINSET** Shimano Ultegra 53/42T, 170/172.5mm.
- FREEWHEEL** Shimano 12-21T. 8 speed Hyperglide cassette.
- SADDLE** San Marco Rolls.
- SEAT PIN** Kalloy anodised aluminium.
- PEDALS** Shimano PD-A550 with toe clips and straps are supplied to comply with British Standards. Due to the large variety of clipless pedal systems, the choice of this type of pedal is left to the customer's discretion.
- WEIGHT** 9.4 kilos.
- COLOUR** Aubergine fade.

£650



SIZE	A°	B°	C	D	E	F
50	71.5°	75°	520	580	45	405
52	72°	75°	530	588	45	405
54	72°	74°	545	594	45	405
56	73°	74°	560	600	45	410
57	73°	73°	570	600	45	410
58	73°	73°	570	600	45	410
60	74°	72°	580	587	42	415
62	74°	72°	595	601	42	415

FRAME

Fully welded Oversize Titanium Road. IMI Custom Drawn tubeset. Robotic Plasma Arc welded main diamond. Hand TIG welded stays. Weight (56cms size) 1400gms.

FORK

Straight blade design. Reynolds taper gauge blades and plain gauge steerer. Precision cast hollow crown. Weight 640gms.

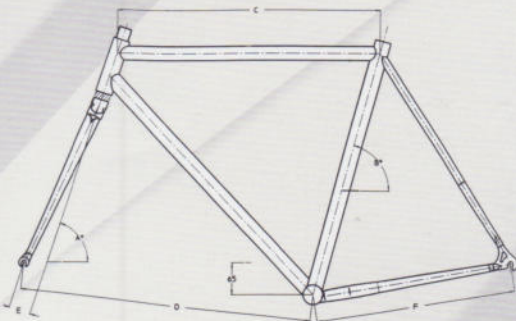
FINISH

Frame – hand finished polished Titanium. Fork – Jet Black.

EXTRAS

Stainless steel seat clamp and bolt. Titanium bottle boss bolts.

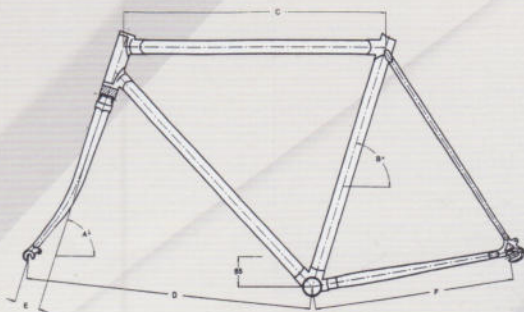
Made to order only – contact your Dyna-Tech dealer for details.



£495



SIZE	A"	B"	C	D	E	F
52	72"	75"	533	596	50	415
54.5	72"	74"	545	600	50	415
57	73"	73"	572	601	44	415
59.5	74"	73"	579	608	42	415



- FRAME** Dual Technology Titanium/Cr-Mo. Training geometry with mudguard clearance. 52, 54.5, 57, 59.5cms.
- FORK** Reynolds taper gauge Cr-Mo blades, precision cast sloping crown.
- WHEELS** Rims – Alesa 613 silver anodised. Hubs – Shimano 500 EX. Spokes – ACI butted stainless. Tyres – Michelin Select 700x25C.
- HANDLEBAR** ITM Europa.
- STEM** SR Custom black.
- HEADSET** Shimano HP A500.
- DERAILLEUR** Shimano 500EX.
- BRAKES** Shimano 500EX Dual Pivot.
- CHAINSET** Shimano RX 100 53/42T.
- FREEWHEEL** 13-23T. 7 speed Hyperglide cassette.
- SADDLE** Selle Italia Expedia.
- SEAT PIN** Dyna-Tech 4130 Cr-Mo.
- PEDALS** Shimano PD-A550 with toe clips and straps.
- WEIGHT** 10.4 kilos.
- COLOUR** Azure Shadow.