

catalogue n. 17





S.p.A. Brevetti Internazionali CAMPAGNOLO
36100 VICENZA - ITALY
Fully paid-up Company's capital Lit. 1.100.000.000
Corso Padova 168
P.O. Box No. 822
phone: 500055 (8 lines)
telex: 48074 CAMPA
Registration number of Vicenza's Court 4265

Brevetti Internazionali Campagnolo is identified with its founder, the current President and Managing Director - Tullio Campagnolo.

On the 11th November 1927 Tullio Campagnolo, by that time a recognised amateur racing cyclist, is competing in a hard cycle race being run on roads in the Dolomites. Suddenly the weather turns to intense cold with snow on the scene resembles winter on the difficult twisting road on the Aune Cross Pass.

Campagnolo is in a good position but punctures. His fingers are so numb with the cold that he cannot unscrew the wing-nuts which hold his wheel in the frame. He loses valuable time but thereby conceives ideas which will change the mechanics of racing cycles.

A clever and imaginative engineer - Campagnolo begins to produce and patent a series of prototypes of cycle accessories which will eventually make him famous throughout the world.

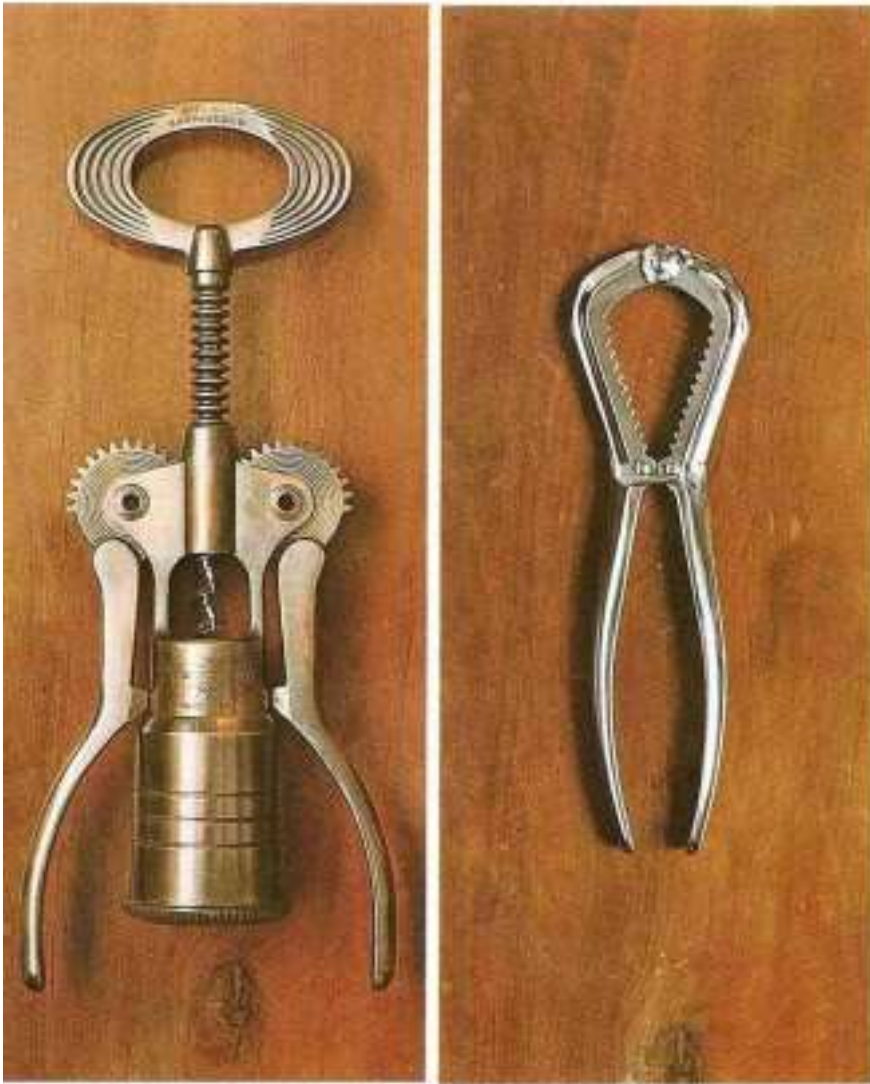
Though an undisputed leader in the field of special racing components, Campagnolo also has interested himself in other fields such as special lightweight magnesium wheels for racing, Grand Touring, Sporting and Production cars. He also excels in this field and from wheels for Formula One racing cars has moved into special parts for the automotive field of motor cycle, aviation and aerospace industries.



Campagnolo - Tullio

Tullio Campagnolo competing on the Aune Cross Pass during a cycle race November 11th 1927.

Campagnolo also produces articles for the gifts and sports trades. Among the former let us remember the patented giant cork-screws permitting even the most resistant corks to be easily and safely extracted, and the nut-crackers, which do not break but do crack the nuts. With the latter are now included tennis rackets made of special ultralightweight alloys.



catalogue of special bicycle products

GENERAL INDEX

SUPER RECORD ROAD GROUP from page 5 to page 19

SUPER RECORD TRACK GROUP from page 21 to page 28

RECORD ROAD GROUP from page 29 to page 43

RECORD TRACK GROUP from page 45 to page 52

GRAN SPORT GROUP from page 53 to page 64

VALENTINO EXTRA GROUP from page 65 to page 70

TRIPLE AND CROSS CHAINWHEEL SETS
RALLY GEAR FOR LARGE RATIOS from page 71 to page 78

VARIOUS ITEMS from page 79 to page 81

TOOLS from page 83 to page 89

TECHNICAL TABLES from page 91 to page 96

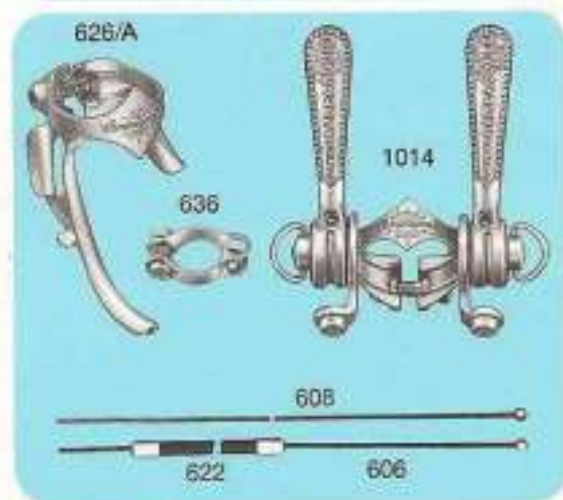
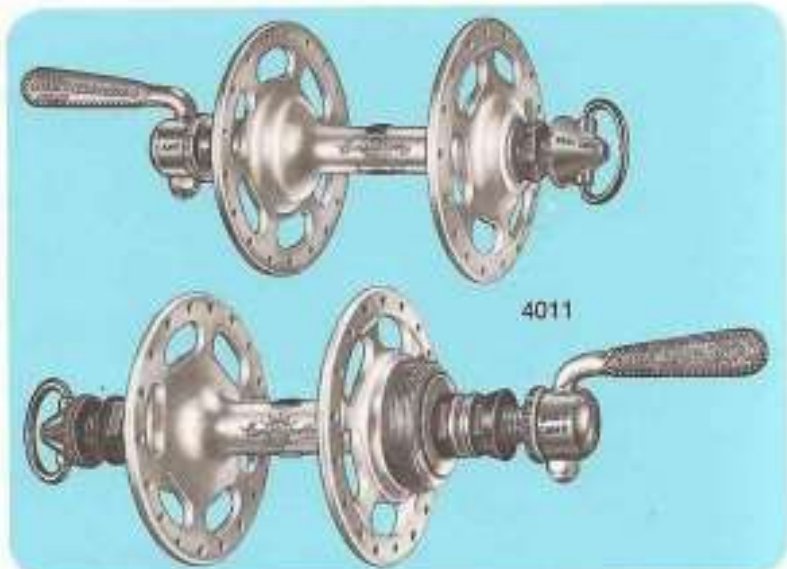
4000/F CAMPAGNOLO SUPER RECORD ROAD GROUP

(Particular components of this group are illustrated from page 8 to page 19)



- 606 Down tube control gear inner wire (118 cm.)
- 608 Down tube control front changer inner wire (72 cm.)
- 622 Gear stainless steel outer casing (21 cm.)
- 626/A Twin gear cable clip
- 636 Chainstay clip
- 649 Stainless steel brake cable clip
- 1010/A Set Record front and rear fork ends without eyelet
- 1014 Twin down tube control lever.
- 1030/2 Pump connector

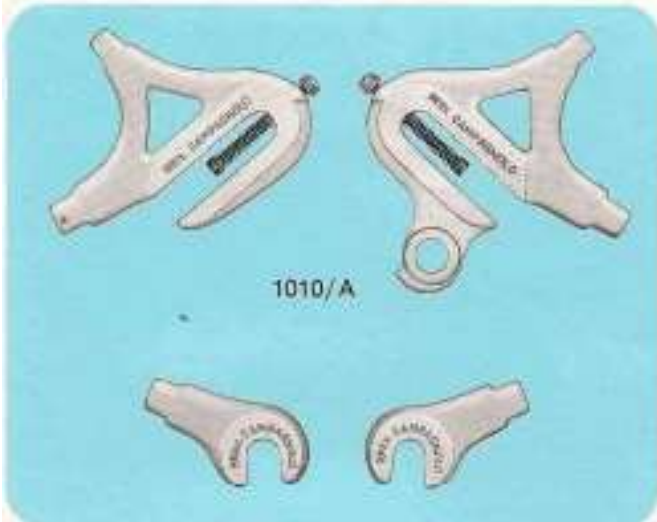
- 1049/A Super Record road chainset (with cranks 170 mm. pedal hole \varnothing 9/16" x 20 F. and chainrings for chain 1/2" x 3/32" [2 mm.]). Specify the number of teeth of the chainrings available from 42T to 57T. Upon request are furnished cranks with lengths 165 - 167.5 - 172.5 - 175 - 177.5 and 180 mm.



1052/1 Record front changer
 4001 Super Record gear (without hanger)
 4011 Pair Super Record large flange quick release road hubs with Titanium spindle (front width 100 mm. - rear width 120 mm., flanges with 36 holes, thread \varnothing 35 x 24F.). Upon request furnished with rear hub suitable for 6 sprockets, width 125 mm., flanges with 24 - 28 - 32 - 40

4021 Pair Super Record road pedals with Titanium spindle (spindle thread \varnothing 9/16 x 20F.). The pedals are supplied with unassembled screws and washers for fixing toe clips
 4030 Super Record road chainwheel set
 4031 Super Record bottom bracket road set with Titanium spindle (bracket width 70 mm. and cups

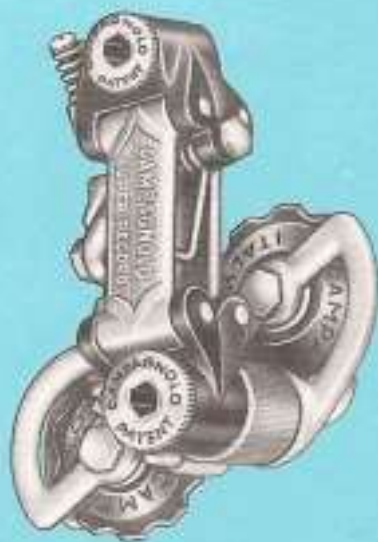
holes, thread \varnothing 34,7 x 1 M. or \varnothing 1,370" x 24 Tpl-BSC. See other alternatives on page 12
 4041 Super Record road head set (thread 25,4 x 24F.). Upon request furnished with thread \varnothing 25 x 1M. or \varnothing 1" x 24 Tpl-BSC
 4051 Super Record seat pin. (pin length 147 mm.) Specify diameter stem: 25 - 25,8 - 26 - 26,2 - 26,4 - 26,6 - 26,8 - 27 - 27,2 - 27,4 mm.
 4061 Set Super Record brakes. See alternatives on pages 18-19



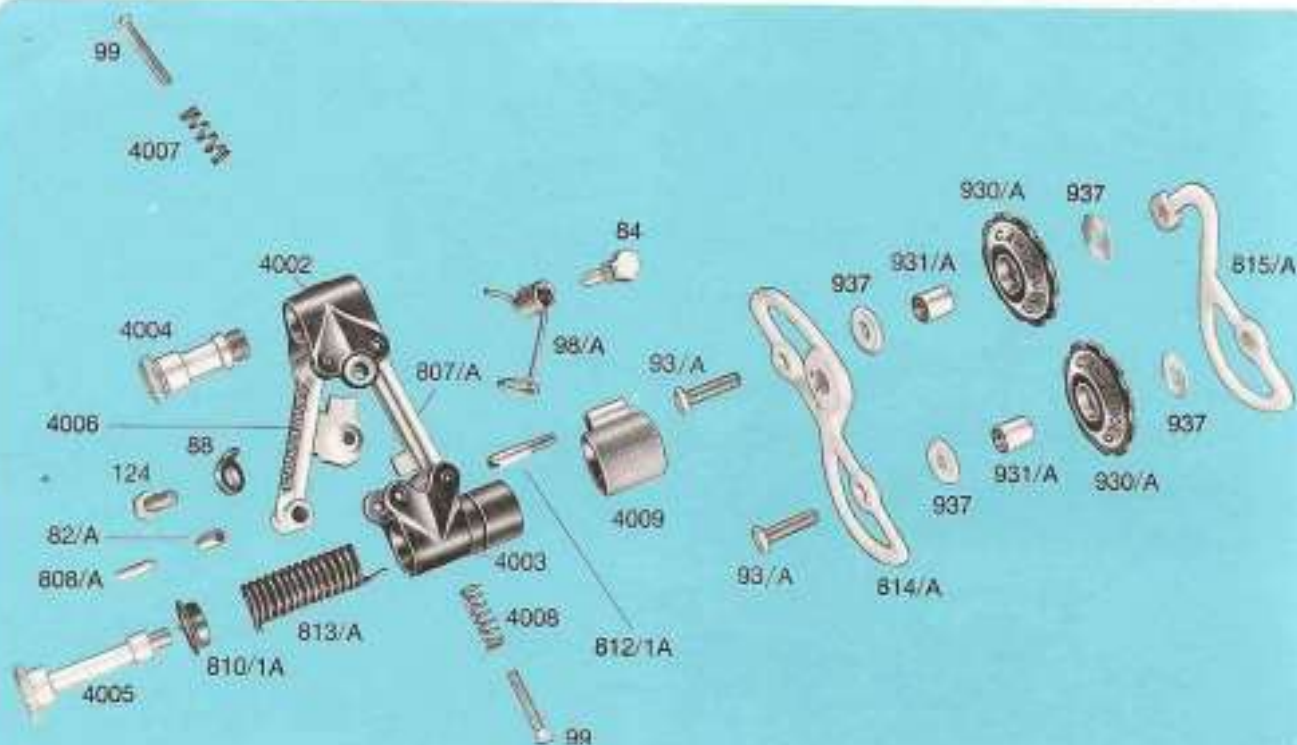
PARTICULAR COMPONENTS OF CAMPAGNOLO SUPER RECORD ROAD GROUP 4000/F

- 4001 Super Record gear
- 82/A Body ferrule
- 84 Gear return spring screw
- 88 Clamp washer
- 93/A Sprocket bolt
- 98/A Gear return spring
- 99 Gear adjusting screw
- 124 Fixing screw
- 807/A Inner arm
- 808/A Spindle
- 810/1A Lower body bush
- 812/1A Grub screw
- 813/A Tension spring

- 814/A Outer cage plate
- 815/A Inner cage plate
- 930/A Roller
- 931/A Roller bush
- 937 Roller dust cover
- 4002 Upper body
- 4003 Spring cage
- 4004 Upper pivot Titanium bolt
- 4005 Spring cage Titanium bolt
- 4006 Front arm
- 4007 Adjusting bolt upper spring
- 4008 Adjusting bolt lower spring
- 4009 Spring cage cover



4001



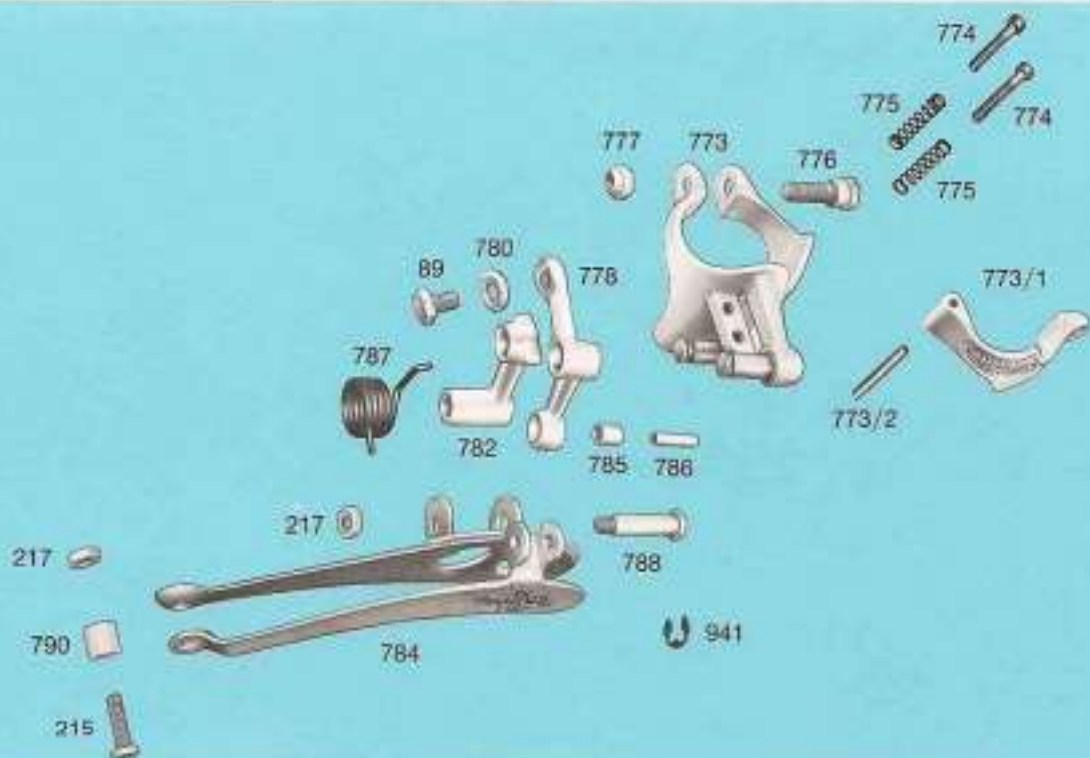
**PARTICULAR
COMPONENTS
OF CAMPAGNOLO
SUPER RECORD
ROAD GROUP
4000/F**

- 1052/1 Record front changer
- 89 Clamp washer
- 215 Cage spanner bolt
- 217 Nut
- 773 Record front changer body (complete with clip and hinge)
- 773/1 Hinge
- 773/2 Hinge pin
- 774 Adjusting screw
- 775 Adjusting bolt spring
- 776 Clip fixing screw

- 777 Clip nut
- 778 Upper arm
- 780 Cable clamp bolt washer
- 782 Lower arm
- 784 Front changer cage
- 785 Ferrule for front changer cage
- 786 Spindle for front changer cage
- 787 Front changer return spring
- 788 Cage shank bolt
- 790 Bush
- 941 Circlip



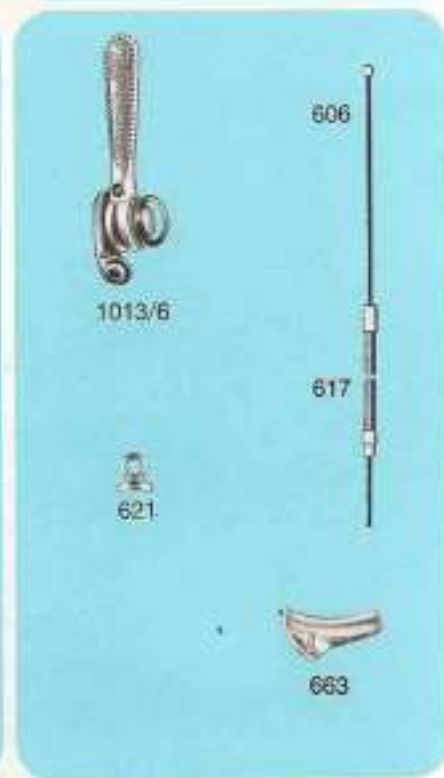
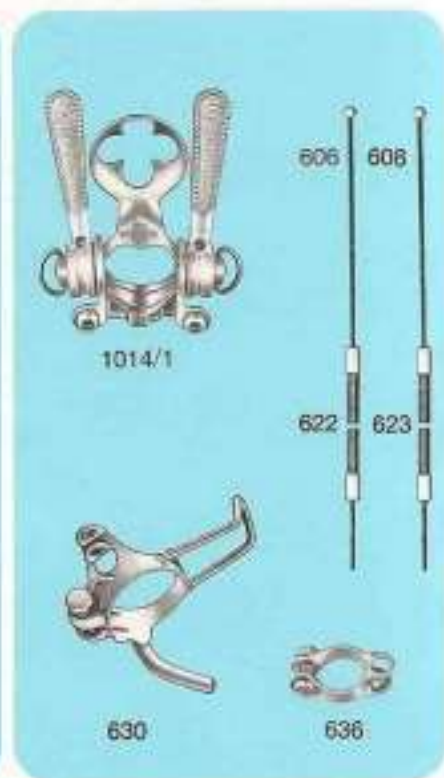
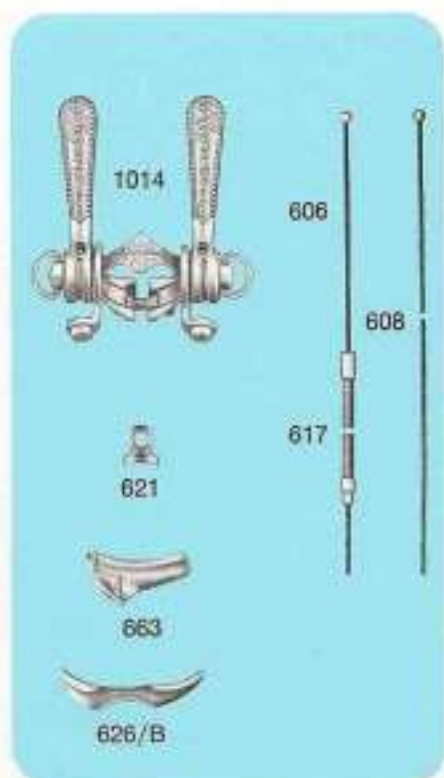
1052/1



PARTICULAR COMPONENTS OF CAMPAGNOLO SUPER RECORD ROAD GROUP 4000/F

- 137 Segment expanding screw
- 138 Segment
- 139/1 Counter-nut
- 139/2 Hexagonal screw
- 140/1 Tension adjusting screw
- 142 Spring segment holder
- 145 Gear cable to handlebar control (197 cm.)
- 173 Handlebar lever rubber
- 174 Handlebar friction plate
- 174/1 Lever friction plate
- 200/2 Handlebar control body
- 201 Handlebar lever

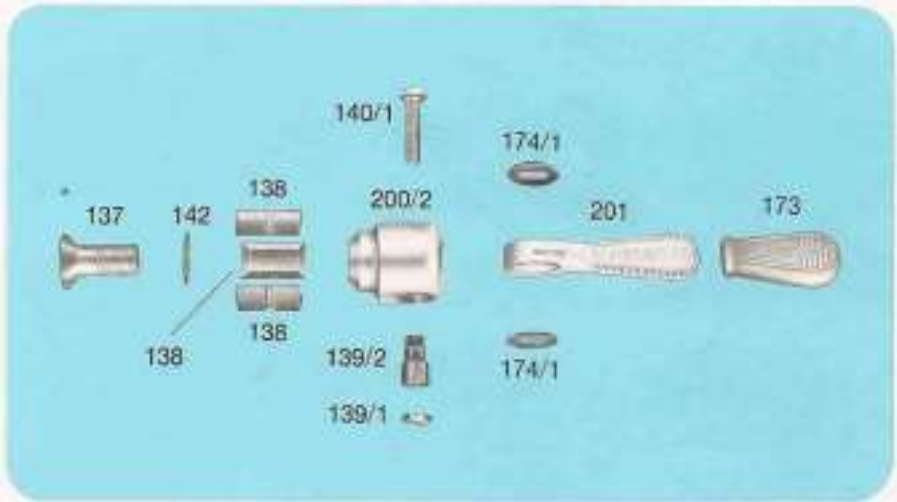
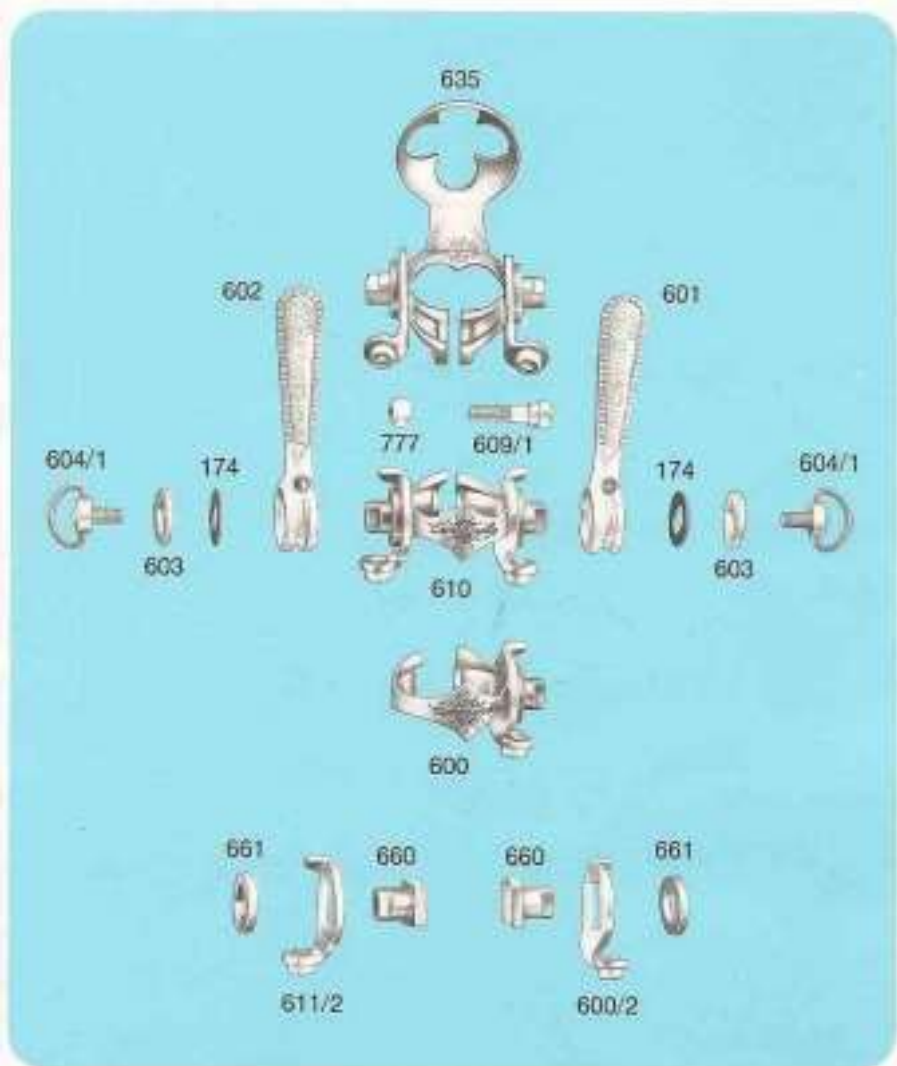
- 218 Front changer cable to handlebar control (150 cm.)
- 600 Right hand collar (without screw and nut)
- 600/2 Right hand braze-on control lever plate
- 601 Gear control lever only
- 602 Front changer control lever only
- 603 Cover plate
- 604/1 Friction adjusting wing nut
- 606 Down tube control gear inner wire (118 cm.)



- 608 Down tube control front changer inner wire (72 cm.)
- 609/1 Fixing clip bolt
- 610 Record twin control clip
- 611/2 Left hand braze-on control lever plate
- 617 Braze-on gear stainless steel outer casing (21 cm.)
- 621 Braze-on cable stop
- 622 Gear stainless steel outer casing (21 cm.)
- 623 Front changer stainless steel

- 625 outer casing (15.5 cm.) Stainless steel outer casing to down tube handlebar control (75 cm.)
- 626/A Twin gear cable clip
- 626/B Braze-on cable ferrule
- 627/A Down tube tunnel R/H for gear
- 629 Twin handlebar control clip
- 630 Clip-on-tunnel and stop with pump holder D/T
- 635 Pump holder twin control Record lever bosses

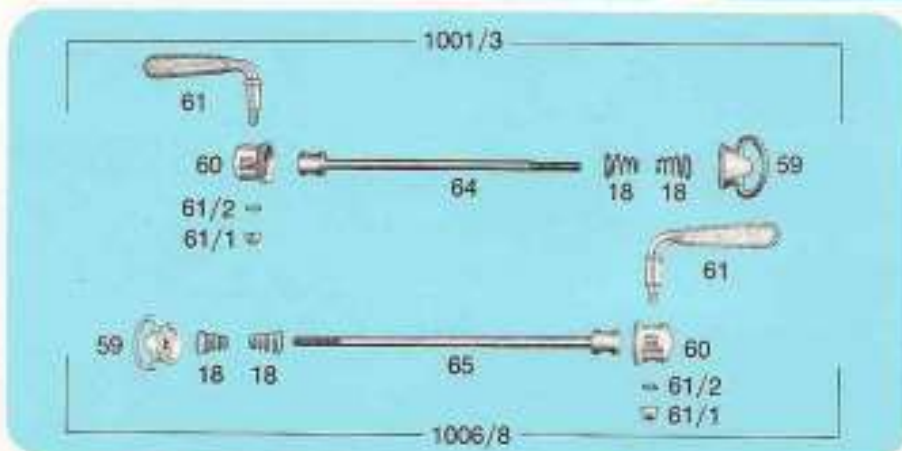
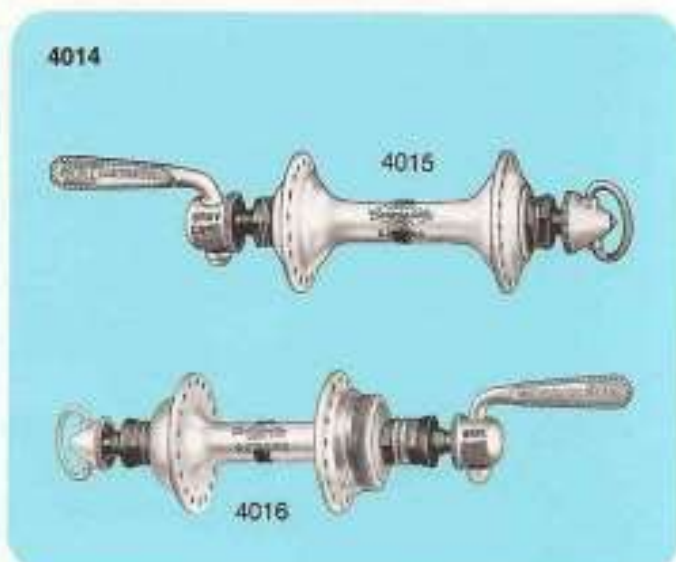
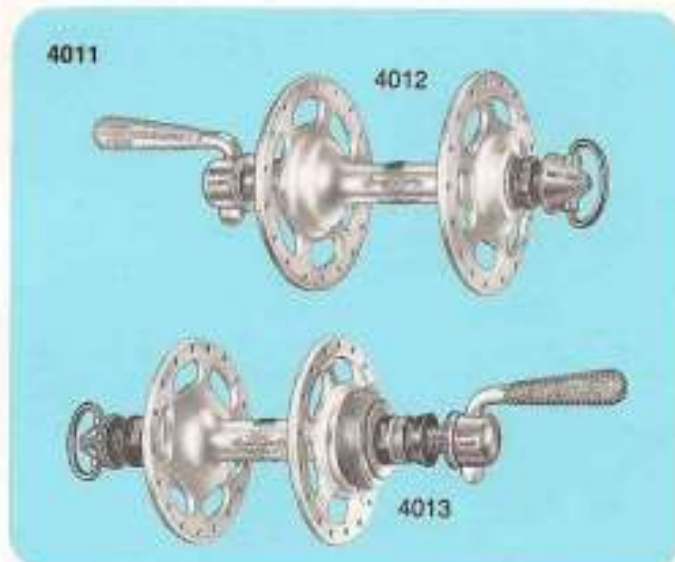
- 636 Chainstay clip
- 660 Braze-on boss
- 661 Braze-on boss collar
- 663 Braze-on cable ferrule
- 777 Clip nut
- 1012/3 Handlebar control
- 1013/1 Right hand down tube control
- 1013/5 Front changer braze-on control
- 1013/6 Gear braze-on control
- 1014 Twin down tube control lever with pump clip
- 1014/1 Twin down tube control lever with pump clip



PARTICULAR COMPONENTS OF CAMPAGNOLO SUPER RECORD ROAD GROUP 4000/F

- 4011** Pair Super Record large flange quick release road hubs with Titanium spindle (front width 100 mm., rear width 120 mm., flanges with 36 holes, thread \varnothing 35 x 24F.). Upon request furnished with rear hub suitable for 6 sprockets, width 125 mm., flanges with 24 - 28 - 32 - 40 holes, thread \varnothing 34,7 x 1M, or \varnothing 1,370" x 24 Tpi-BSC.
- 4012** Super Record large flange front road hub
- 4013** Super Record large flange rear road hub

- 4014** Pair Super Record small flange quick release road hubs with Titanium spindle (front width 100 mm., rear width 120 mm., flanges with 36 holes, thread \varnothing 35 x 24F.). Upon request furnished with hub suitable for 6 sprockets, width 125 mm., flanges with 24 - 28 - 32 - 40 holes, thread \varnothing 34,7 x 1M, or \varnothing 1,370" x 24 Tpi-BSC.
- 4015** Super Record small flange front road hub
- 4016** Super Record small flange rear road hub

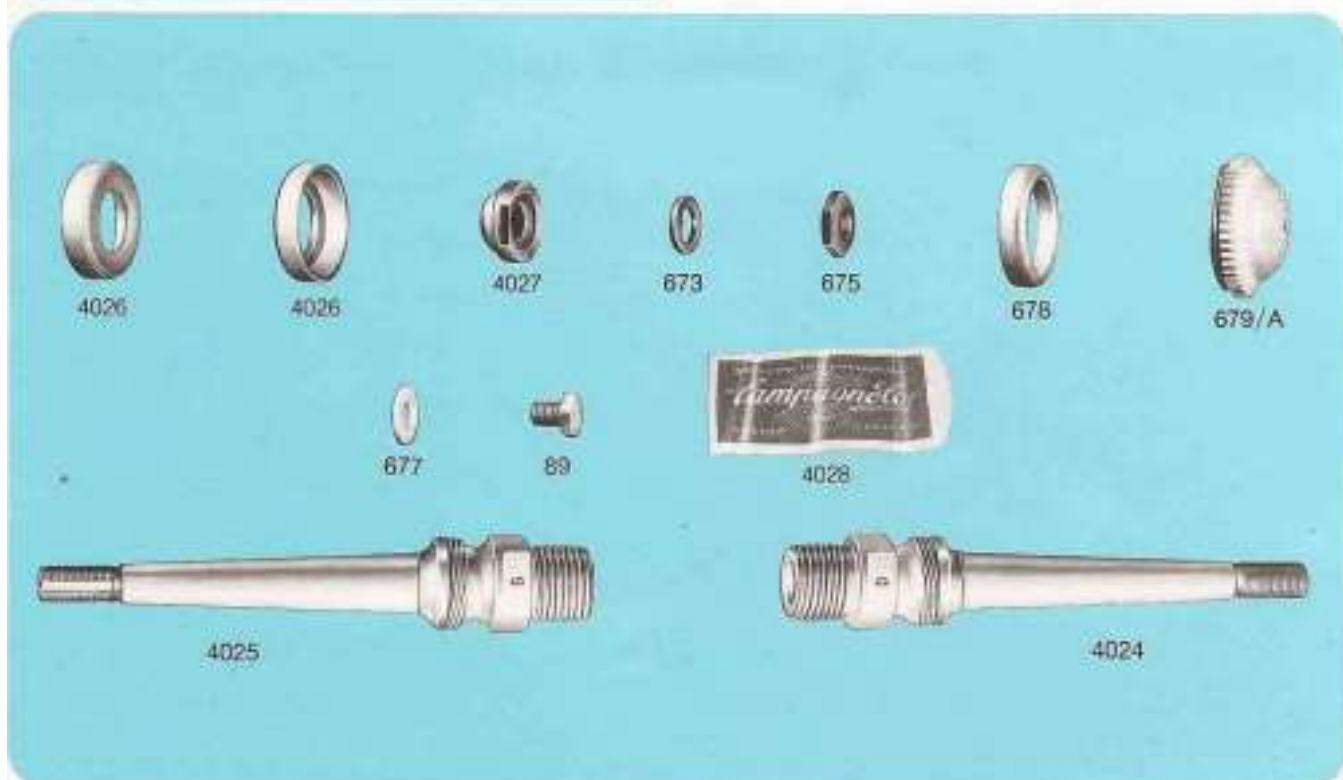
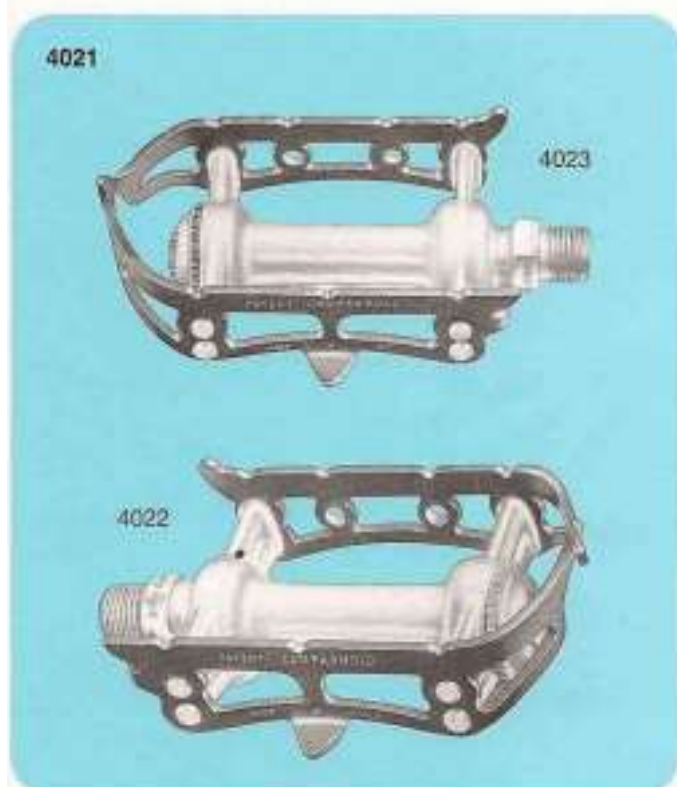


- 1 Front lock nut
- 18 Conical spring
- 25/R Front cone
- 32/R Rear cone
- 33 Rear lock nut
- 35 Front hub lock washer
- 36 Rear hub lock washer
- 46 Rear spacing collar
- 59 Quick release conical adjuster
- 60 Quick release cap
- 61 Quick release lever
- 61/1 Spring washer
- 61/2 Grower washer
- 64 Quick release front skewer
- 65 Quick release rear skewer
- 737 Front ball cup
- 738 Rear ball cup
- 739 Front dust cover
- 740 Rear dust cover
- 741 Spring clip
- 1001/3 Complete front quick release skewer for Record hub
- 1006/8 Complete rear quick release skewer for Record hub
- 2104 Set (8+9) special \varnothing 7/32" balls selected with 1/1000 of mm. tolerance
- 2106 Set (9+9) special \varnothing 1/4" balls selected with 1/1000 of mm. tolerance
- 4017 Front hollow Titanium axle for Super Record road hub
- 4018 Rear hollow Titanium axle for Super Record road hub (129 mm. long). Upon request are furnished spindles 132 - 134 and 140 mm. long
- 4019 Complete front axle for Super Record road hub
- 4020 Complete rear axle for Super Record road hub

**PARTICULAR
COMPONENTS
OF CAMPAGNOLO
SUPER RECORD
ROAD GROUP
4000/F**

- 4021 Pair Super Record road pedals with Titanium spindle (spindle thread \varnothing 9/16" x 20F.). The pedals are supplied with unassembled screws and washers for fixing toe clips.
- 89 Toe clip locking screw for superlight pedals
- 673 Pedal axle washer
- 675 Pedal axle lock nut
- 677 Toe clip washer
- 678 Inner dust cap
- 679/A Pedal dust cap

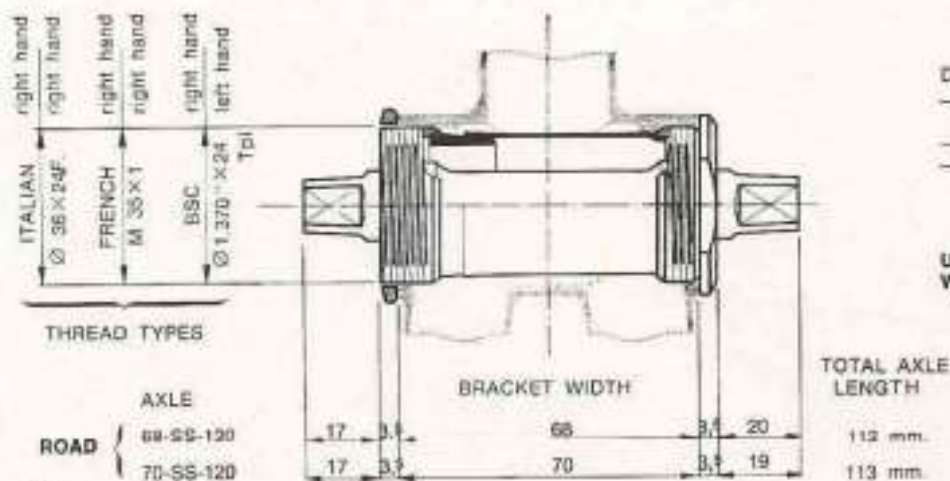
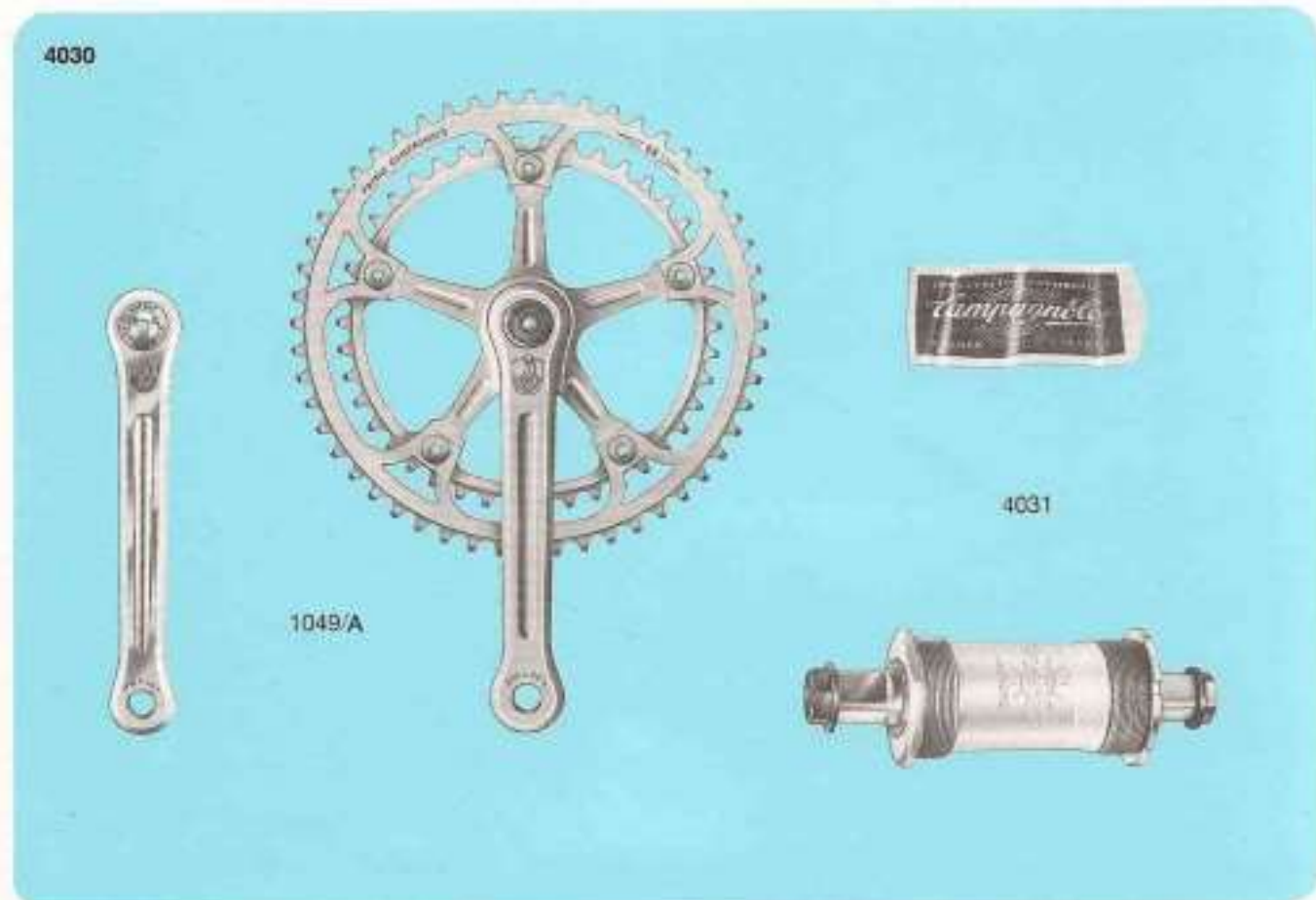
- 4022 Super Record right hand road pedal
- 4023 Super Record left hand road pedal
- 4024 Super Record right hand Titanium pedal
- 4025 Super Record left hand Titanium pedal
- 4026 Inserted pedal race (available also in oversize)
- 4027 Pedal axle cone
- 4028 Set (84) special \varnothing 1/8" pedal balls selected with 1/1000 of mm. tolerance



PARTICULAR COMPONENTS OF CAMPAGNOLO SUPER RECORD ROAD GROUP 4000/F

4030 Super Record road chainwheel set
1049/A Super Record road chainset (with cranks 170 mm., pedal hole \varnothing 9/16" x 20F. and chainrings for chain 1/2" x 3/32" [2 mm.]). Specify the number of teeth available from 42T to 57T. Upon request furnished cranks with lengths

165 - 167,5 - 172,5 - 175 - 177,5 and 180 mm.
4031 Super Record bottom bracket road set with Titanium spindle (bracket width 70 mm. and cups threaded \varnothing 36 x 24F.). Locking with normal 3.5 mm. thickness (available also with 4 mm. and 4.5 mm. thickness) indicate required thread



Details of bracket number:
 — The first number indicates the bracket width
 — SS indicates road
 — Number 120 indicates the suggested width of the rear hub for a perfect chain alignment (see pages 92-93)

UPON REQUEST WE SUPPLY THE CUPS WITH THREAD INCREASED BY 0,5 mm.

- 748 Fixing screw
 749 Fixing washer
 751 Right hand road crank
 (complete with cover 756,
 170 mm. long). Upon request are
 furnished the following
 sizes: 165 - 167,5 - 172,5 - 175 -
 177,5 and 180 mm. long
 752 Left hand road crank
 (complete with cover 756,
 170 mm. long). Upon request are
 furnished the following

- 753/A Super Record road chainring for
 1/2 x 3/32" (2 mm.) chain.
 Specify the number of teeth
 available from 42T to 57T
 754 Road chainwheel fastening screw
 755 Road chainwheel fastening nut
 756 Crank cover plate
 801 Spacer for single chainring
 2110 Record sleeve
 2110/1 Cone for sleeve

- 4032 Super Record cotterless
 Titanium road spindle.
 See measurements and indicate
 spindle size
 4033 Fixed cup.
 Indicate required thread
 4034 Adjustable cup.
 Indicate required thread
 4035 Set (14+14) special \varnothing 3/16" b/b
 balls selected with 1/1000 of
 mm. tolerance



752



753/A



751



756



755



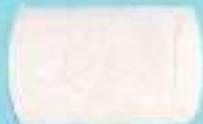
754



801



2110/1



2110



4035



748



749



4034



4033



4032



4033



749



748

PARTICULAR COMPONENTS OF CAMPAGNOLO SUPER RECORD ROAD GROUP 4000/F

- 4041 Super Record road head set
- 2101 Set (20+20) special b/b
Ø 3/16" balls selected with
1/1000 of mm. tolerance
- 4042 Super Record locking nut
(specify type of threading)
- 4043 Super Record locking washer
- 4044 Super Record screwed road race
(specify type of threading)

- 4045 Super Record road top head
race (0,5 mm. larger
gauge available)
- 4046 Super Record road bottom head
race (0,5 mm. larger
gauge available)
- 4047 Super Record road crown race
(smaller diameter available)

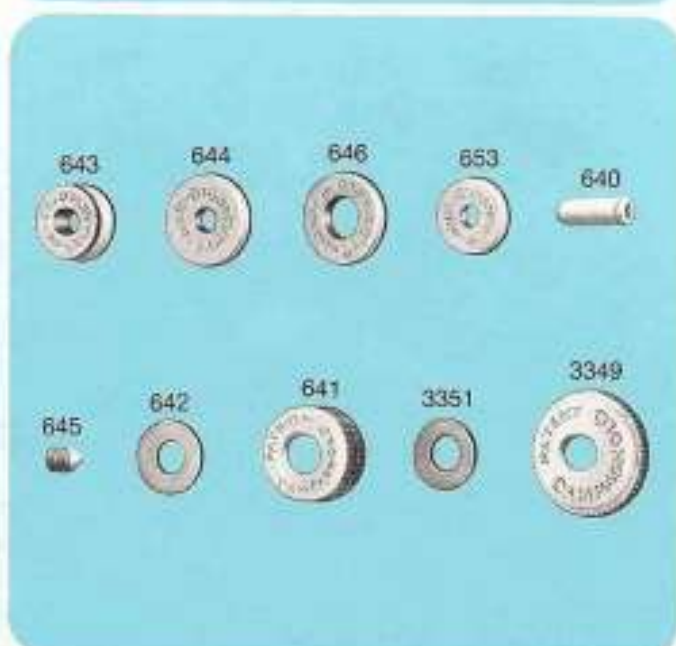
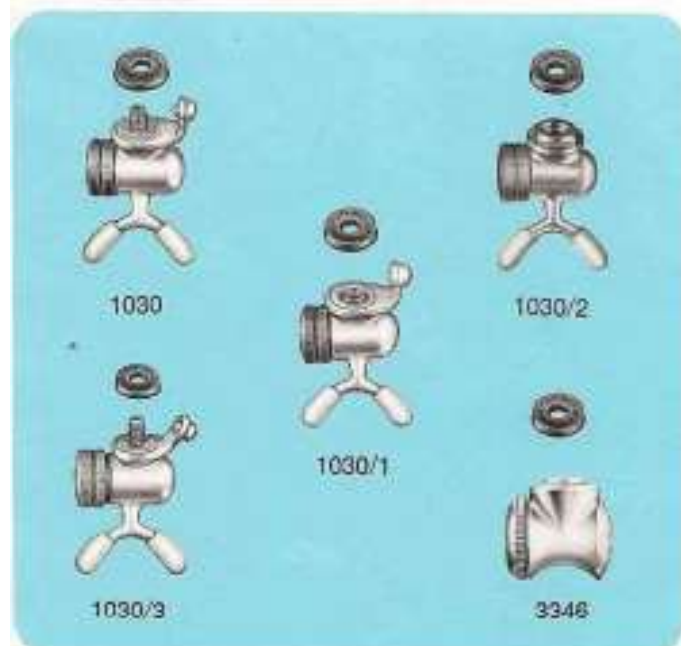
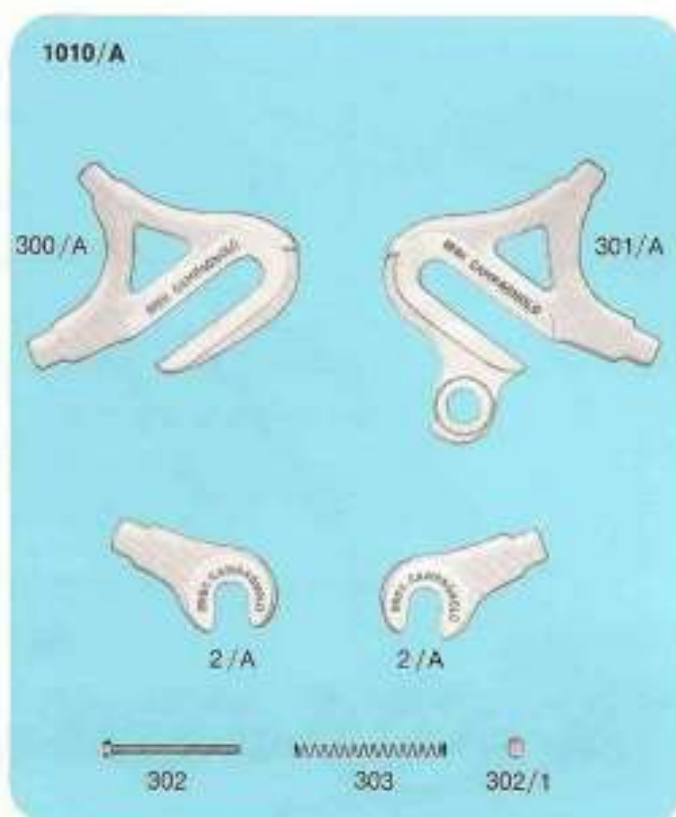


- 4051 Super Record seat pin.
(pin length 147 mm.)
Specify diameter stem:
25 - 25,8 - 26 - 26,2 - 26,4 - 26,6
26,8 - 27 - 27,2 - 27,4 mm.
- 4052 Left hand side support
- 4053 Right hand side support
- 4054 Front bracket
- 4055 Rear bracket
- 4056 Fixing and adjusting bolt
- 4057 Belt nut



PARTICULAR COMPONENTS OF CAMPAGNOLO SUPER RECORD ROAD GROUP 4000/F

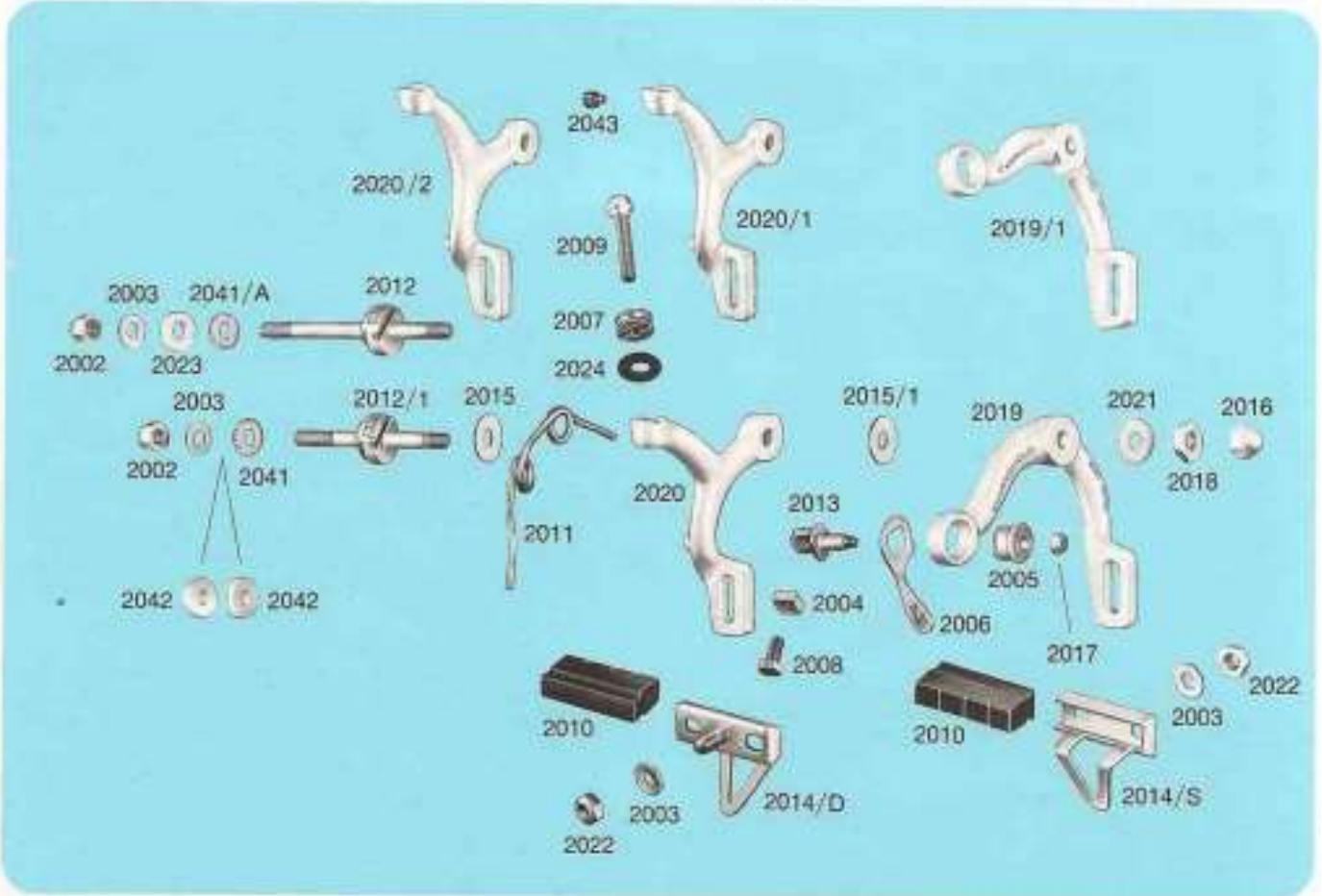
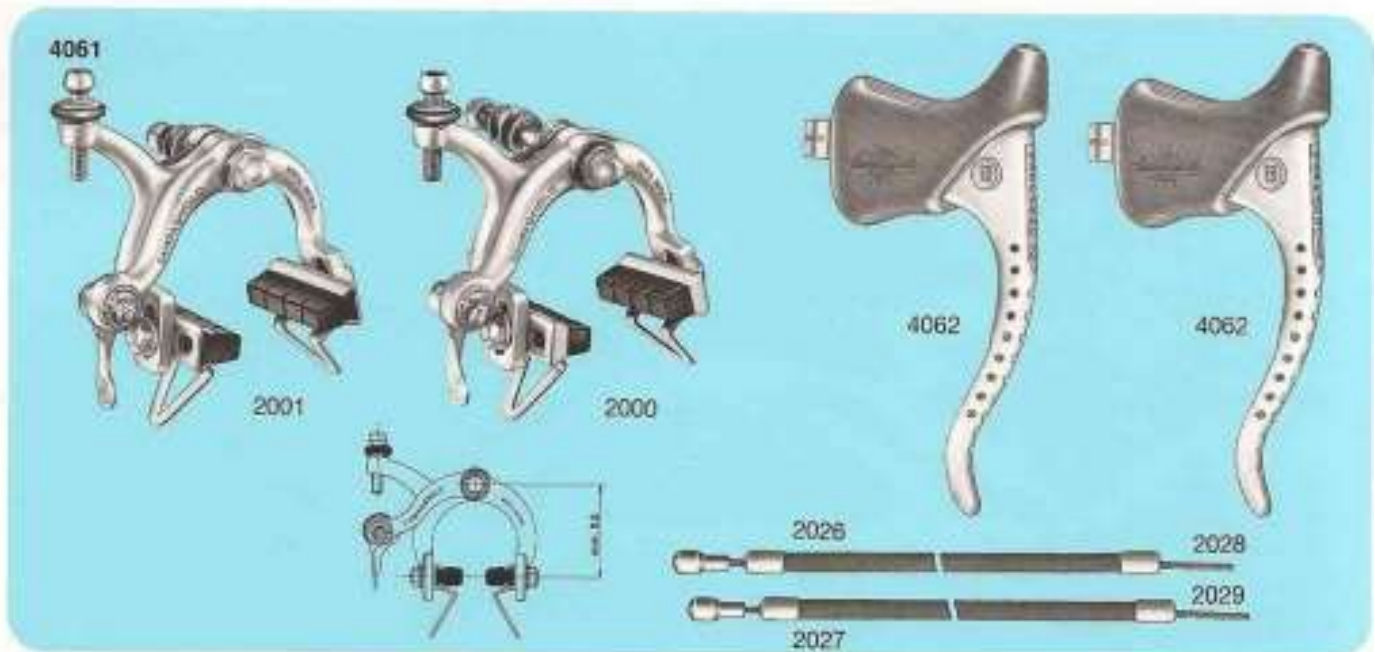
- 2/A Record right and left hand front fork ends without eyelet
- 300/A Record left hand rear end without eyelet
- 301/A Record right hand rear end without eyelet
- 302 Adjusting bolt
- 302/1 Nut for bolt 302
- 303 Adjusting bolt spring
- 640 Rubber cap
- 641 Milled nut
- 642 Rubber washer
- 643 Rubber washer for tubular valves
- 644 Rubber washer for pump connector 1030
- 645 Connecting screw
- 646 Rubber washer for pump connectors 1030/1 and 1030/2
- 653 Rubber washer for pump connector 1030/3
- 1010/A Set Record front and rear fork ends without eyelet
- 1030 Pump connector with $\varnothing 7/32''$ or M7 x 1 locking screw
- 1030/1 Pump connector with M9 x 1,25 locking screw
- 1030/2 Pump connector with M9 x 1,25 locking screw
- 1030/3 Pump connector with M5 x 1 or M7 x 1 locking screw (French type)
- 3346 Superlight connector ensemble with square boss (with M9 x 1,25 locking screw)
- 3349 Cover for superlight pump connector
- 3351 Washer for superlight pump connector



PARTICULAR COMPONENTS OF CAMPAGNOLO SUPER RECORD ROAD GROUP 4000/F

- 4061 Set Super Record brakes
- 4061/1 Set Super Record small brakes
- 4062 Brake control with drilled levers
- 2000 Front brake
- 2000/1 Small front brake
- 2001 Rear brake
- 2001/1 Small rear brake
- 2002 Centre bolt fixing nut
- 2003 Washer
- 2004 Clamp bolt washer
- 2005 Cam
- 2006 Quick release cam lever

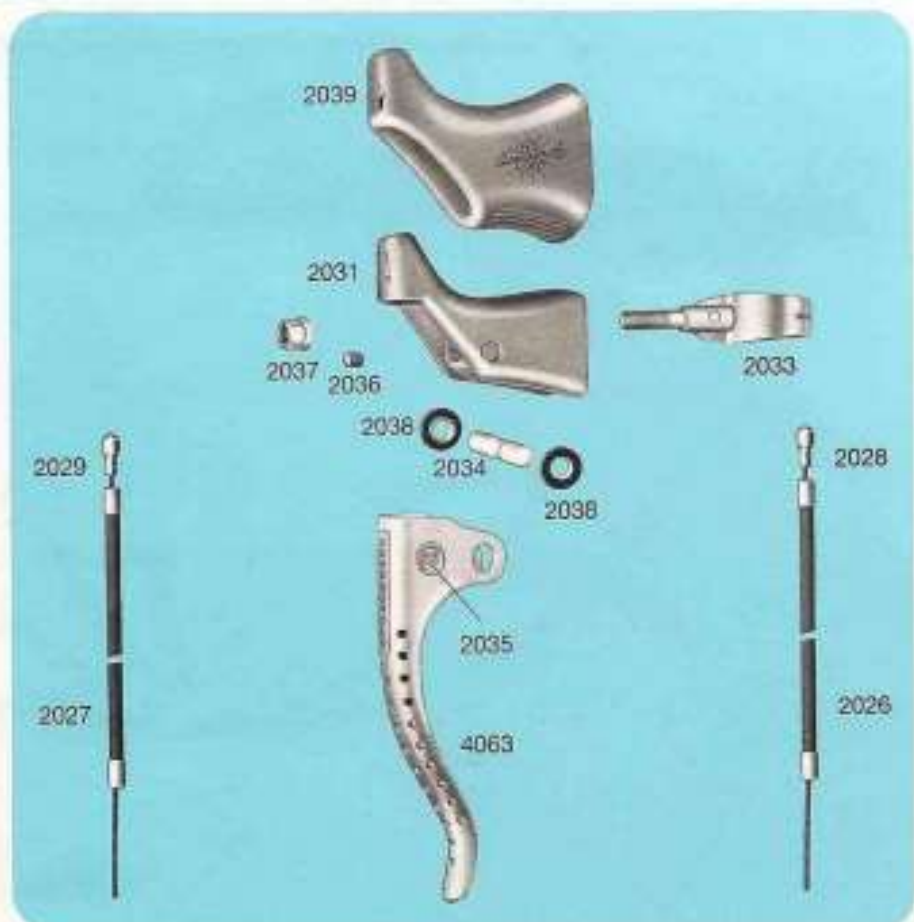
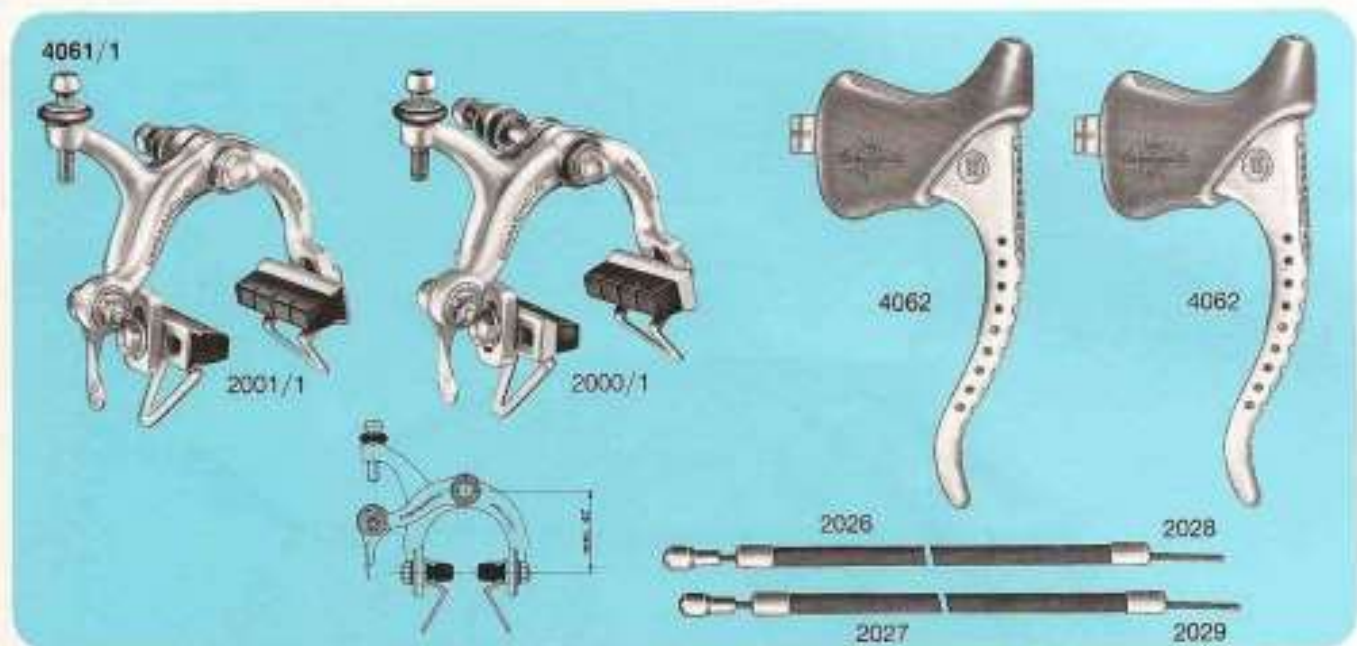
- 2007 Adjusting nut
- 2008 Cable clamp bolt
- 2009 Adjusting screw
- 2010 Brake block
- 2011 Tension spring
- 2012 Front brake center bolt
- 2012/1 Rear brake center bolt
- 2013 Cable clamp
- 2014/D Right hand brake shoe
- 2014/S Left hand brake shoe
- 2015 Friction washer
- 2015/1 Inner friction washer
- 2016 Domed nut



2017 Cam locking nut
 2018 Locking nut
 2019 Front stirrup
 2019/1 Small brake front stirrup
 2020 Rear stirrup
 2020/1 Small brake front stirrup
 2020/2 Small brake rear stirrup
 2021 Milled washer
 2022 Brake shoe nut
 2023 Concave washer for front brake
 2024 Adjusting rubber

2026 Front brake outer casing (61 cm.)
 2027 Rear brake outer casing (119 cm.)
 2028 Front inner cable (73 cm.)
 2029 Rear inner cable (131 cm.)
 2031 Lever hood
 2033 Brake lever clip
 2034 Lever pivot pin
 2036 Grub screw
 2037 Clamp nut

2038 Lever bush
 2039 Rubber lever hood
 2041 Serrated washer for rear brake
 2041/A Serrated washer for front brake
 2042 Concave washer for rear brake (upon request is furnished for round breast band)
 2043 Lever rubber for small brake
 4063 Drilled lever control (complete with cable holder 2035)



SUPER RECORD TRACK GROUP	pages 22-23
SUPER RECORD TRACK HUBS	page 24
SUPER RECORD TRACK PEDALS	page 25
SUPER RECORD CHAINWHEEL SET - TRACK BOTTOM BRACKET SET	pages 26-27
SUPER RECORD TRACK HEAD SET SUPER RECORD SEAT PINS - FORK ENDS	page 28

4100 CAMPAGNOLO SUPER RECORD TRACK GROUP

(Particular components of this group
are illustrated from page 24 to page 28)



4101



4130



4151



4121



4131





4141



4051



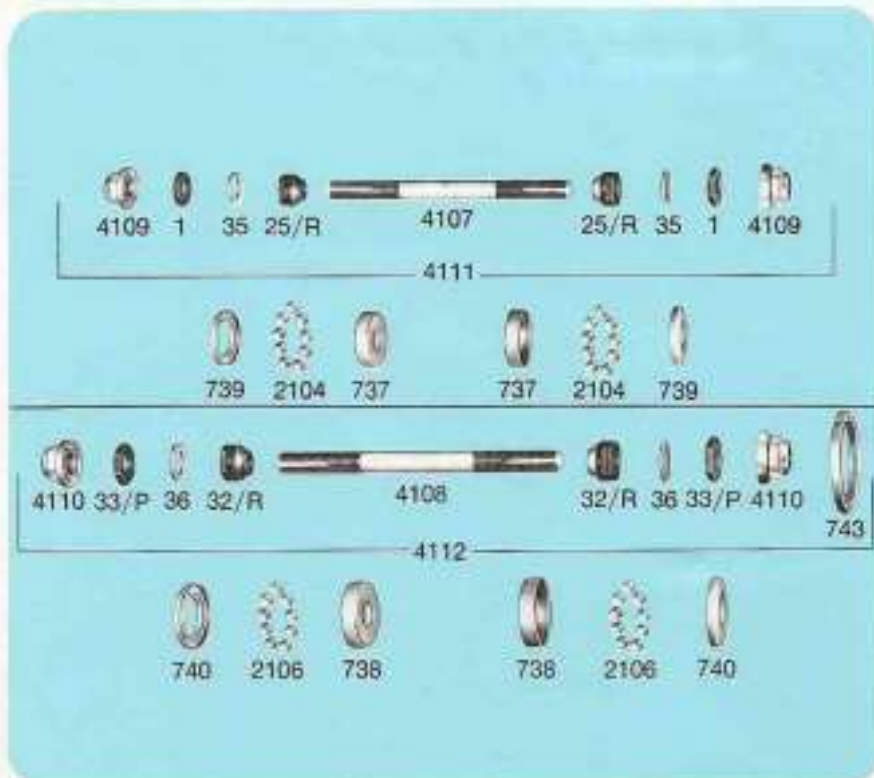
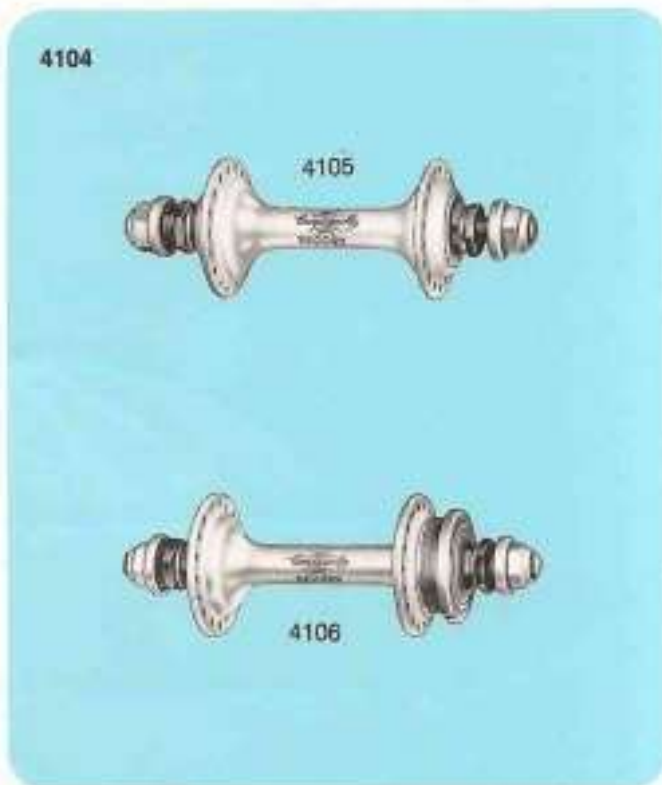
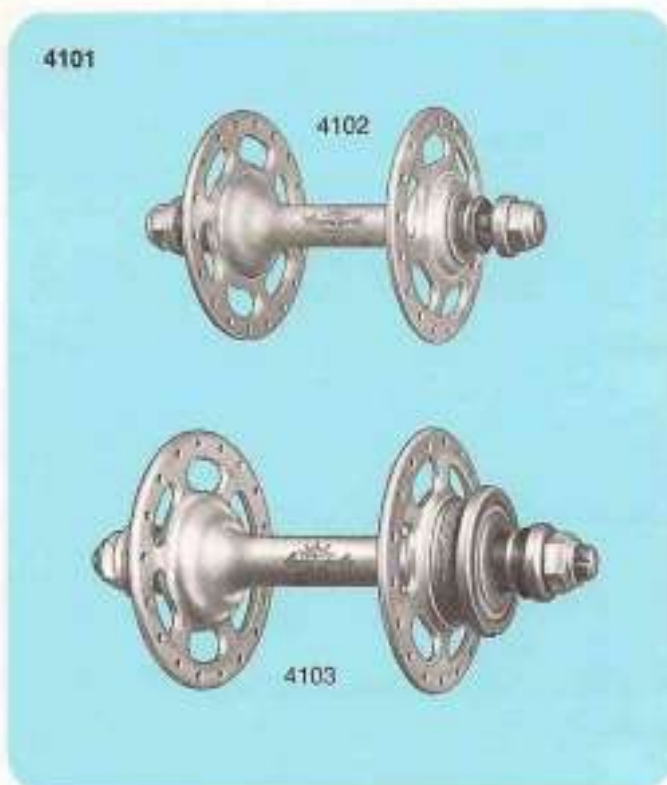
1053

- 1053** Set track front and rear fork ends
- 4051** Super Record seat pin.
(pin length 147 mm.)
Specify diameter stem: 25 - 25,8
- 26 - 26,2 - 26,4 - 26,6 - 26,8 -
27 - 27,2 - 27,4 mm.
- 4101** Pair Super Record large flange
with Titanium spindle track hubs
(front width 100 mm., rear width
110 mm., flanges with 36 holes,
thread \varnothing 35 x 24F.).
Upon request are furnished with
rear hub width 120 mm., flanges
with 24 - 28 - 32 - 40 holes,
thread \varnothing 34,7 x 1 M. or
 \varnothing 1,370" x 24 Tpi-BSC
See alternatives on page 24
- 4121** Pair Super Record track pedals
with Titanium spindle (spindle
thread \varnothing 9/16" x 20F.).
The pedals are supplied with
unassembled screws and washers
for fixing toe clips
- 4130** Super Record track chainwheel
set
- 4131** Super Record bottom bracket
track set with Titanium spindle
(bracket width 70 mm. and cups
threaded \varnothing 36 x 24F.).
See alternatives on pages 26-27
Upon request is furnished the
bracket safety sleeve
ref. 2110 - 2110/1. See page 81
- 4141** Super Record track head set
(thread \varnothing 25,4 x 24F.).
Upon request are furnished with
thread \varnothing 25 x 1M. or
 \varnothing 1" x 24 Tpi-BSC
- 4151** Super Record track chainset
(with cranks 170 mm.,
pedal hole \varnothing 9/16" x 20F. and
chainring for chain 1/2" x 1/8"
(3 mm.)). Specify the number
of teeth of the chainrings
available from 44T to 70T.
Upon request are furnished
cranks with lengths 165 -
167,5 - 172,5 - 175 -
177,5 and 180 mm. and chainrings
for chain 1/2" x 3/32" (2 mm.)
P.S. For the sprockets see
page 81

PARTICULAR COMPONENTS OF CAMPAGNOLO SUPER RECORD TRACK GROUP 4100

- 4101** Pair Super Record large flange track hubs with Titanium spindle and nuts (front width 100 mm., rear width 110 mm., flanges with 36 holes, thread $\varnothing 35 \times 24F.$). Upon request are furnished with rear width 120 mm., flanges with 24 - 28 - 32 - 40 holes, thread $\varnothing 34,7 \times 1M.$ or $\varnothing 1,370" \times 24$ Tpi-BSC
- 4102** Super Record large flange front track hub
- 4103** Super Record large flange rear track hub

- 4104** Pair Super Record small flange track hubs with Titanium spindle and nuts (front width 100 mm., rear width 110 mm., flanges with 36 holes, thread $\varnothing 35 \times 24F.$). Upon request are furnished with 24 - 28 - 32 - 40 holes, thread $\varnothing 34,7 \times 1M.$ or $\varnothing 1,370" \times 24$ Tpi-BSC
- 4105** Super Record small flange front track hub
- 4106** Super Record small flange rear track hub



- 1** Front lock nut
25/R Front cone
32/R Rear cone
33/P Rear lock nut for track hubs
35 Front hub lock washer
36 Rear hub lock washer
737 Front ball cup
738 Rear ball cup
739 Front dust cover
740 Rear dust cover
743 Track lock ring
2104 Set (9+9) special $\varnothing 7/32"$ balls selected with 1/1000 of mm. tolerance
2106 Set (9+9) special $\varnothing 1/4"$ balls selected with 1/1000 of mm. tolerance
4107 Front Titanium axle for Super Record track hub
4108 Rear Titanium axle for Super Record track hub
4109 Titanium lock nut for Super Record track front hub
4110 Titanium lock nut for Super Record track rear hub
4111 Complete front axle for Super Record track hub
4112 Complete rear axle for Super Record track hub

PARTICULAR COMPONENTS OF CAMPAGNOLO SUPER RECORD TRACK GROUP 4100

- | | | | |
|-------|---|------|---|
| 4121 | Pair Super Record track pedals with Titanium spindle (spindle thread \varnothing 9/16" x 20F). The pedals are supplied with unassembled screws and washers for fixing toe clips | 4122 | Super Record right hand track pedal |
| 89 | Locking screw for superlight pedals | 4123 | Super Record left hand track pedal |
| 673 | Pedal axle washer | 4024 | Super Record right hand Titanium pedal spindle |
| 675 | Pedal axle lock nut | 4025 | Super Record left hand Titanium pedal spindle |
| 677 | Toe clip washer | 4026 | Inserted pedal race (available also in oversize) |
| 678 | Inner dust cap | 4027 | Pedal axle cone |
| 679/A | Pedal dust cap | 4028 | Set (64) special \varnothing 1/8" pedal balls selected with 1/1000 of mm. tolerance |

4121



4122



4026



4026



4027



673



675



678



679/A



677



89



4028



4025



4024

PARTICULAR COMPONENTS OF CAMPAGNOLO SUPER RECORD TRACK GROUP 4100

- 4130 Super Record track chainwheel set
- 4131 Super Record bottom bracket track set with Titanium spindle (bracket width 70 mm. and cups threaded \varnothing 36 x 24F.). Upon request is furnished the bracket safety sleeve ref. 2110/2110/1. See page 81
- 4151 Super Record track chainset (with cranks 170 mm., pedal hole \varnothing 9/16" x 20F. and

chainring for chain 1/2" x 1/8" [3 mm]). Specify the number of teeth of the chainring available from 44T to 70T. Upon request are furnished cranks with lengths 165 - 167,5 - 172,5 - 175 - 177,5 and 180 mm. long and chainrings for chain 1/2" x 3/32" (2 mm.). Lockring with normal 3.5 mm. thickness (available also with 4 mm. and 4.5 mm. thickness)

747

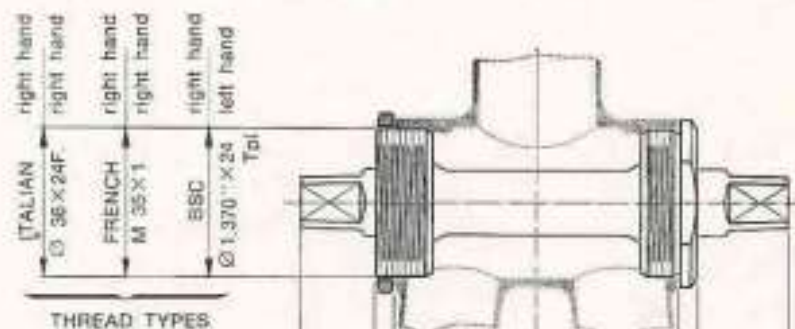
4130



4151



4131



Details of bracket number:

- The first number indicates the bracket width
- P indicates track
- SS indicates road
- C indicates cross
- Number 110 or 120 indicates the suggested width of the rear hub for a perfect chain alignment (see pages 62-63)

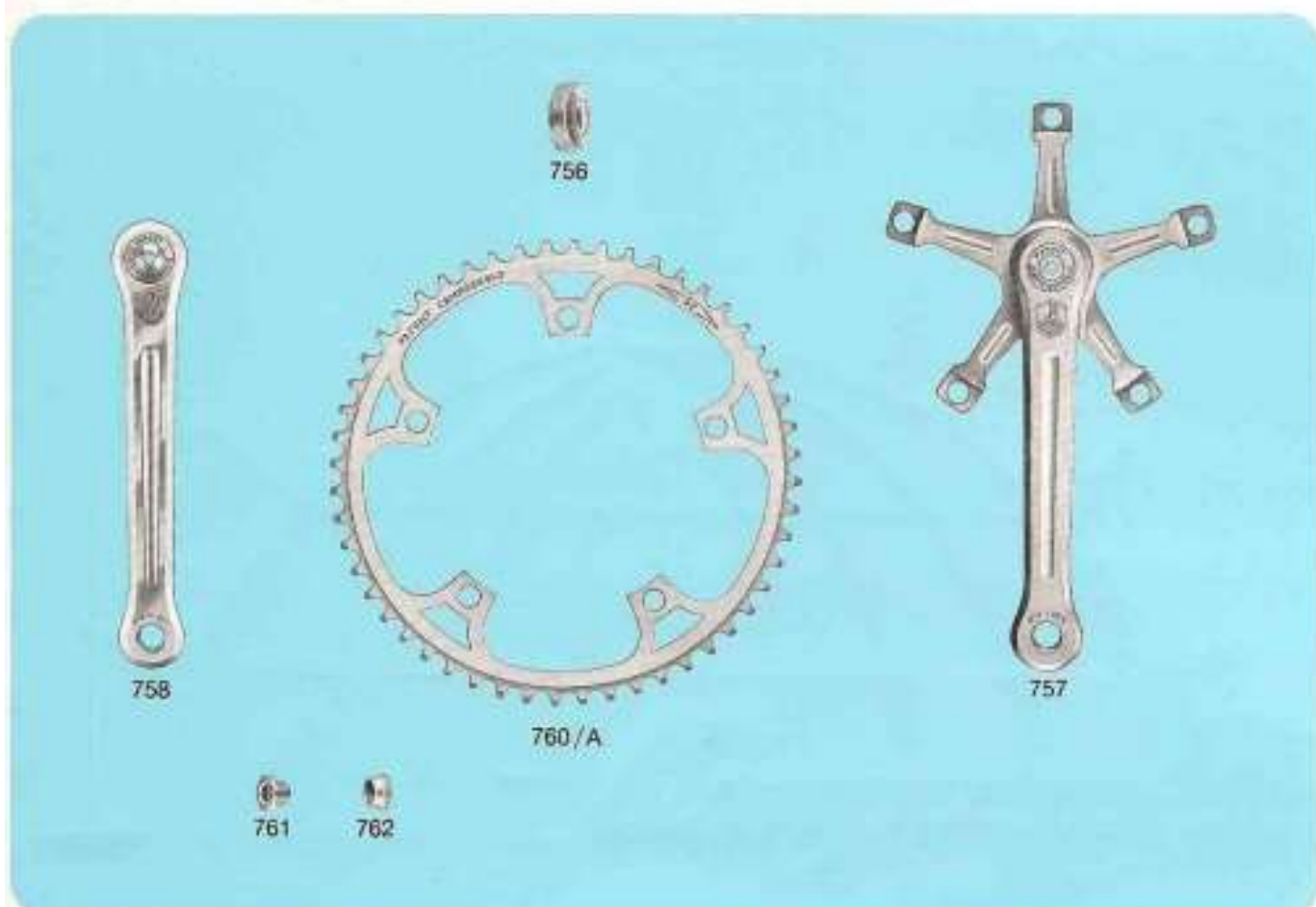
UPON REQUEST WE SUPPLY THE CUPS WITH THREAD INCREASED BY 0,5 mm.

TRACK RECORD AND SUPER RECORD

- 65-P-110
- 68-P-110
- 68-P-120
- 70-P-120

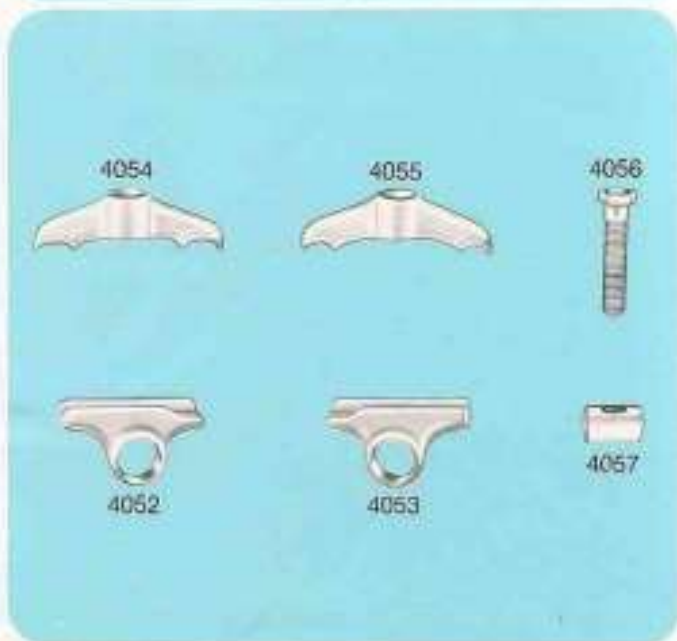
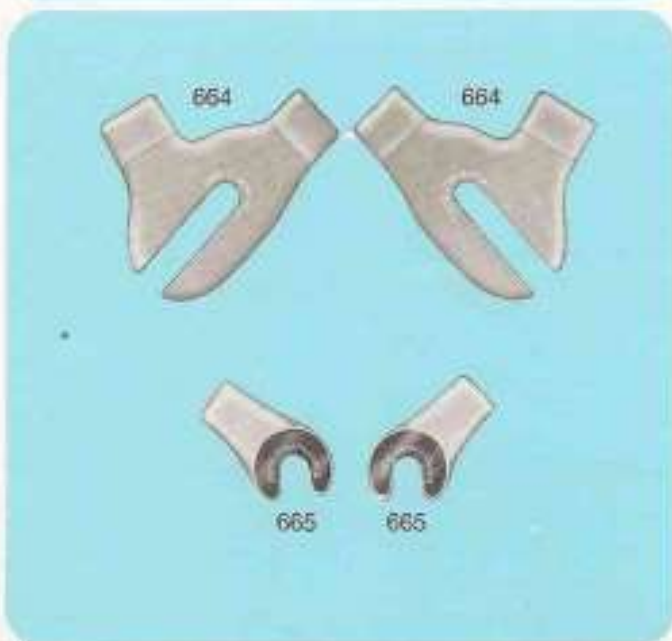
AXLE		BRACKET WIDTH		TOTAL AXLE LENGTH	
16	3,5	65	3,5	16	104 mm.
14,5	3,5	68	3,5	15,5	106 mm.
17	3,5	68	3,5	17	108 mm.
16	3,5	70	3,5	16	109 mm.

- | | | | | | |
|-----|---------------------------------|-------|----------------------------------|------|-----------------------------------|
| 748 | Fixing screw | | (complete with cover 758, | 762 | Track chainwheel fastening nut |
| 749 | Fixing washer | | 170 mm. long). Upon request are | 4035 | Set (14+14) special 2-3/16" b/b |
| 756 | Crank cover plate | | furnished the following sizes: | | balls selected with 1/1000 of |
| 757 | Track right hand crank | | 165 - 167.5 - 172.5 - 175 - | 4132 | mm. tolerance |
| | (complete with cover 756, | 760/A | 177.5 and 180 mm. long | | Super Record cotterless Titanium |
| | 170 mm. long). Upon request are | | Super Record track chainring for | 4133 | track spindle. See measurements |
| | furnished the following sizes: | | 1/2" x 1/8" (3 mm.) | | and indicate spindle size |
| | 165 - 167.5 - 172.5 - 175 - | 761 | chain. Specify the number of | 4134 | Fixed cup. Indicate required |
| | 177.5 and 180 mm. long | | teeth available from 44T to 70T | | thread |
| 758 | Track left hand crank | | Track chainwheel fastening screw | | Adjustable cup. Indicate required |
| | | | | | thread |



PARTICULAR COMPONENTS OF CAMPAGNOLO SUPER RECORD TRACK GROUP 4100

- 4141 Super Record track head set (thread \varnothing 25,4 x 24F.). Upon request are furnished with thread \varnothing 25 x 1M. or 1" x 24 Tpi-BSC
- 4051 Super Record seat pin. (pin length 147 mm.) Specify diameter stem: 25 - 25,8 - 26 - 26,2 - 26,4 - 26,6 - 26,8 - 27 - 27,2 - 27,4 mm.
- 664 Right and left hand track fork ends
- 665 Right and left hand track fork ends
- 2102 Set (25+25) special b/b \varnothing 5/32" balls selected with 1/1000 of mm. tolerance
- 4042 Super Record locking nut
- 4043 (specify type of threading) Super Record locking washer
- 4052 Left hand side support
- 4053 Right hand side support
- 4054 Front bracket
- 4055 Rear bracket
- 4056 Fixing and adjusting bolt
- 4057 Bolt nut
- 4142 Super Record track screwed race (specify type of threading)
- 4143 Super Record track top head race (0,5 mm. larger gauge available)
- 4144 Super Record track bottom head race (0,5 mm. larger gauge available)
- 4145 Super Record track crown race (smaller diameter available)



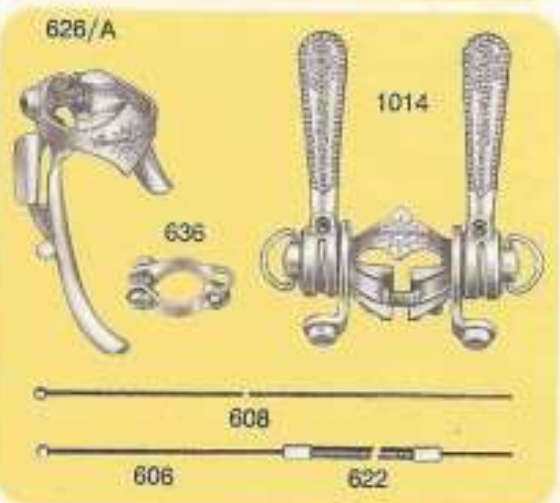
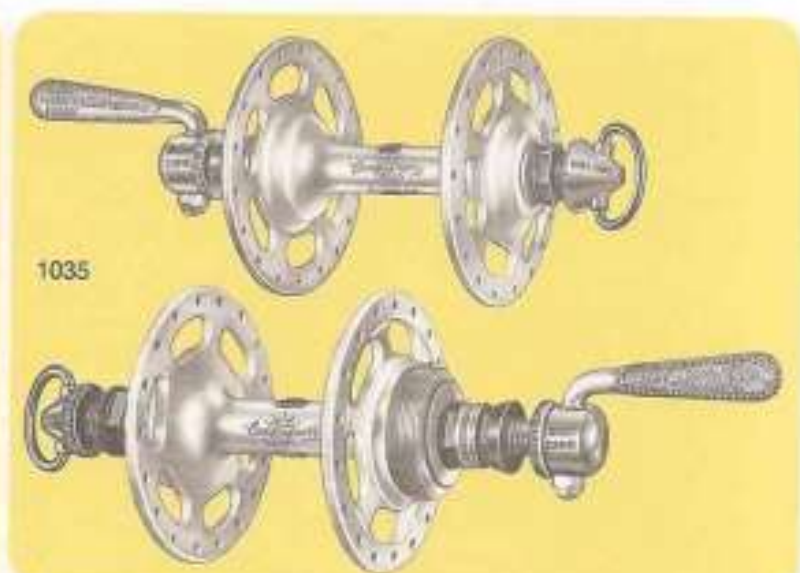
RECORD ROAD GROUP	pages 30-31
RECORD GEAR - RECORD FRONT CHANGER AND ALTERNATIVE RECORD CONTROL LEVERS	pages 32-33-34-35
RECORD ROAD HUBS	page 36
RECORD AND SUPERLIGHT RECORD ROAD PEDALS	page 37
ROAD RECORD CHAINWHEEL SET AND BOTTOM BRACKET SET	pages 38-39
RECORD ROAD HEAD SET - RECORD SEAT PIN	page 40
FORK ENDS - SPECIAL CONNECTORS	page 41
RECORD BRAKES	pages 42-43

1032/F CAMPAGNOLO RECORD ROAD GROUP

(Particular components of this group are illustrated from page 32 to page 43)



- 606 Down tube control gear inner wire (118 cm.)
- 608 Down tube control front changer inner wire (72 cm.)
- 622 Gear stainless steel outer casing (21 cm.)
- 626/A Twin gear cable clip
- 636 Chainstay clip
- 649 Stainless steel brake cable clip
- 1010/A Set Record front and rear fork ends without eyelet.
- 1014 Twin down tube control lever.
- 1020/A See alternatives on pages 34-35 Nuovo Record gear (without hanger)
- 1030/2 Pump connector (thread M9 x 1,25). Any pump connectors shown on page 41 can be supplied instead
- 1035 Pair Record large flange quick release road hubs (front width 100 mm., rear width 120 mm., flanges with 36 holes, thread \varnothing 35 x 24F.). Upon request are furnished with rear hub suitable



for 6 sprockets, width 125 mm., flanges with 24 - 28 - 32 - 40 holes, thread \varnothing 34.7 x 1M. or \varnothing 1.370" x 24 Tpi-BSC.

See other alternatives on page 38

1037 Pair Record road pedals with steel spindle (spindle thread \varnothing 9/16" x 20F.). Upon request furnished spindles threaded M.14 x 1.25

1039 Record road head set (thread 25.4 x 24F.). Upon request furnished with thread

1044 \varnothing 25 x 1M. or 1" x 24 Tpi-BSC Seat pin. Specify diameter stem: 25 - 25.8 - 26 - 26.2 - 26.4 - 26.6 - 26.8 - 27 - 27.2 - 27.4 mm. and if pin length in 130 mm. normal or in 180 mm. long

1046/A Nuovo Record bottom bracket set (bracket width 70 mm. and cups threaded \varnothing 38 x 24F.). See alternatives on pages 38-39

1048 Record road chainwheel set with Nuovo Record bottom bracket

1049 Record road chainset (with crank 170 mm. pedal hole \varnothing 9/16" x 20F. and chainrings for chain 1/2" x 3/32" [2 mm.]). Specify the number of teeth of the chainrings available from 42T to 57T. Upon request furnished cranks with lengths 165 - 167.5 - 172.5 - 175 - 177.5 and 180 mm.

1052/1 Record front changer
2040 Set Record brakes. See alternatives on pages 42-43



1039



1044



1030/2



2040



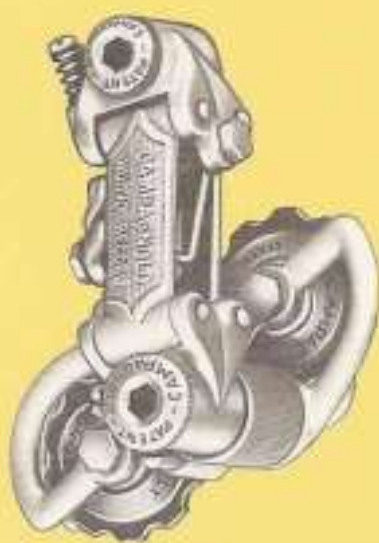
1010/A



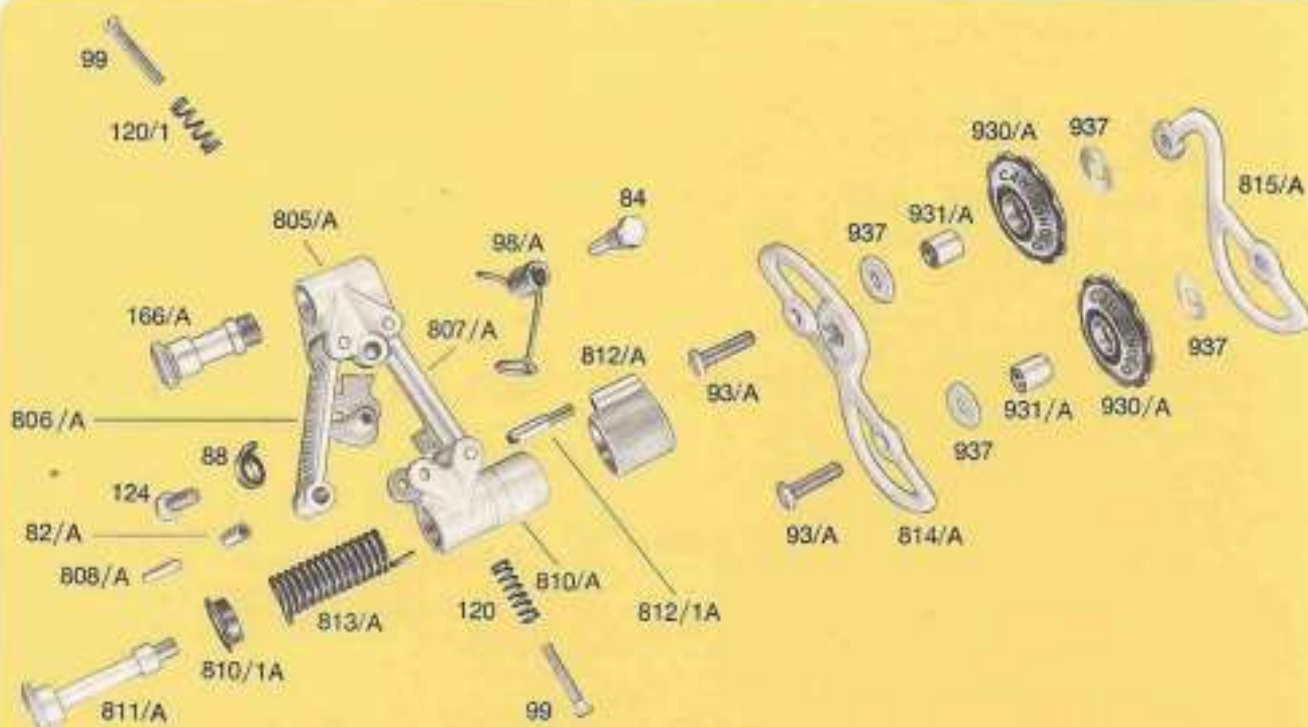
PARTICULAR COMPONENTS OF CAMPAGNOLO RECORD ROAD GROUP 1032/F

- 1020/A Nuovo Record gear
- 82/A Body ferrule
- 84 Gear return spring screw
- 88 Clamp washer
- 93/A Sprocket bolt
- 98/A Gear return spring
- 99 Gear adjusting screw
- 120 Lower adjuster spring
- 120/1 Upper adjuster spring
- 124 Fixing screw
- 166/A Upper pivot bolt
- 805/A Upper body
- 806/A Front arm

- 807/A Inner arm
- 808/A Spindle
- 810/A Lower body
- 810/1A Lower body bush
- 811/A Gear spring bolt
- 812/A Spring cage cover
- 812/1A Grub screw
- 813/A Tension spring
- 814/A Outer cage plate
- 815/A Inner cage plate
- 930/A Roller
- 931/A Roller bush
- 937 Roller dust cover



1020/A



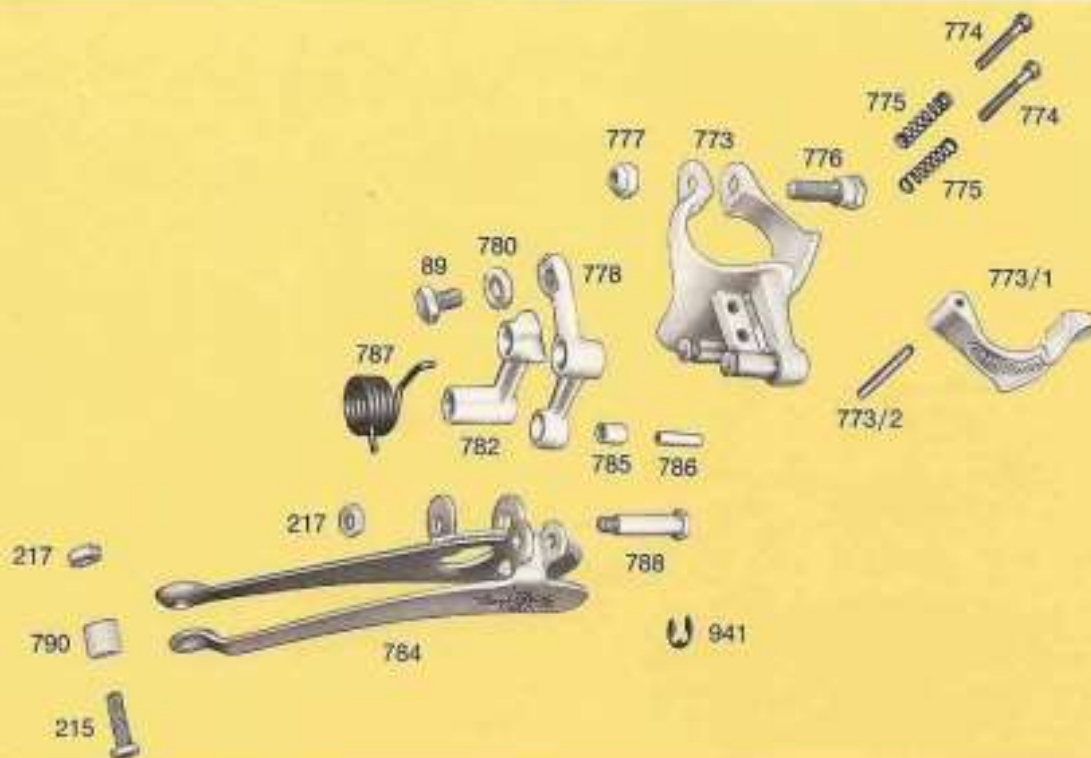
**PARTICULAR
COMPONENTS
OF CAMPAGNOLO
RECORD
ROAD GROUP
1032/F**

- 1052/1 Record front changer
- 89 Locking screw
- 215 Cage spacing bolt
- 217 Cage spacer bolt nut
- 773 Record front changer body (complete with clip and hinge)
- 773/1 Hinge
- 773/2 Hinge pin
- 774 Adjusting screw
- 775 Adjusting bolt spring
- 776 Clip fixing screw

- 777 Nut
- 778 Upper arm
- 780 Cable clamp bolt washer
- 782 Lower arm
- 784 Front changer cage
- 785 Ferrule for front changer cage
- 786 Spindle for front changer cage
- 787 Front changer return spring
- 788 Cage shank bolt
- 790 Bush
- 941 Circlip



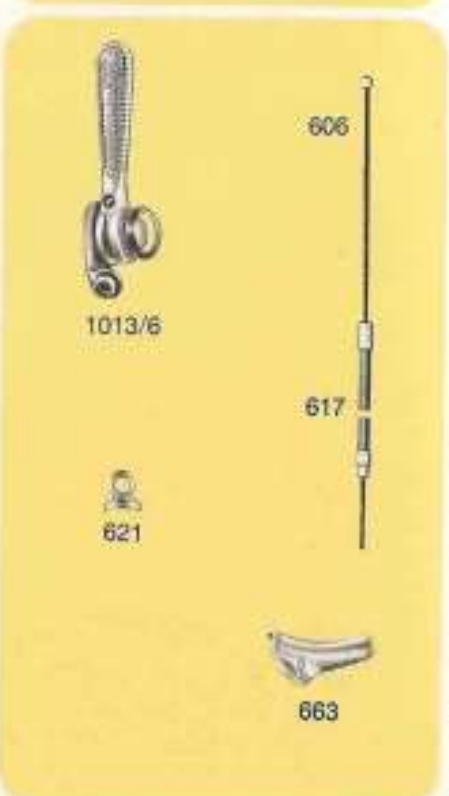
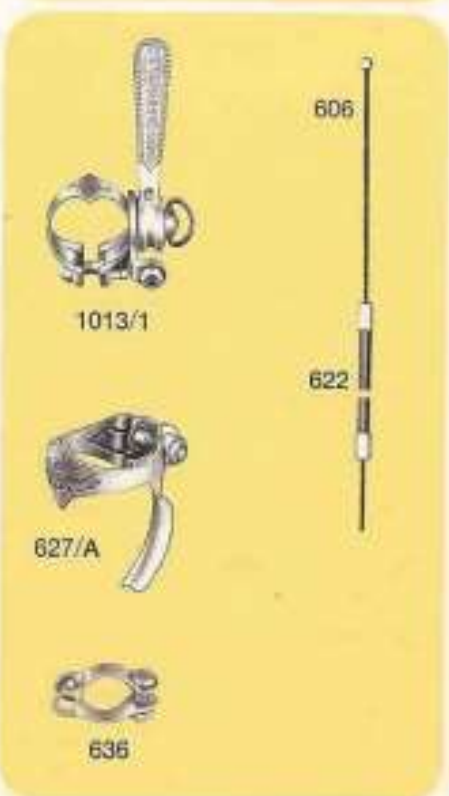
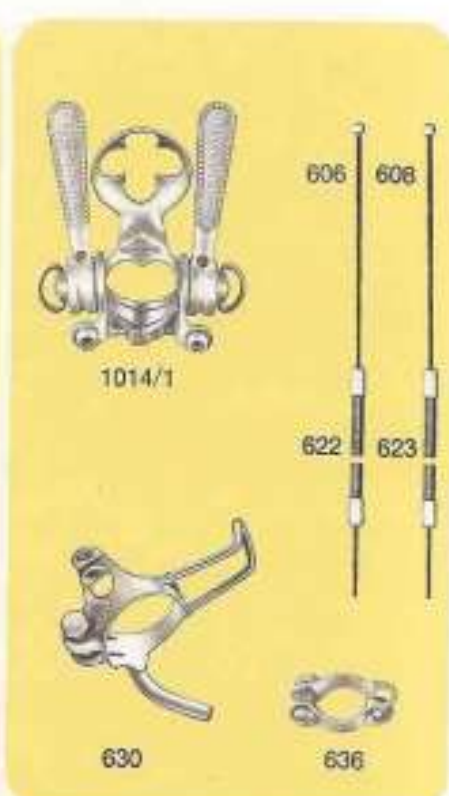
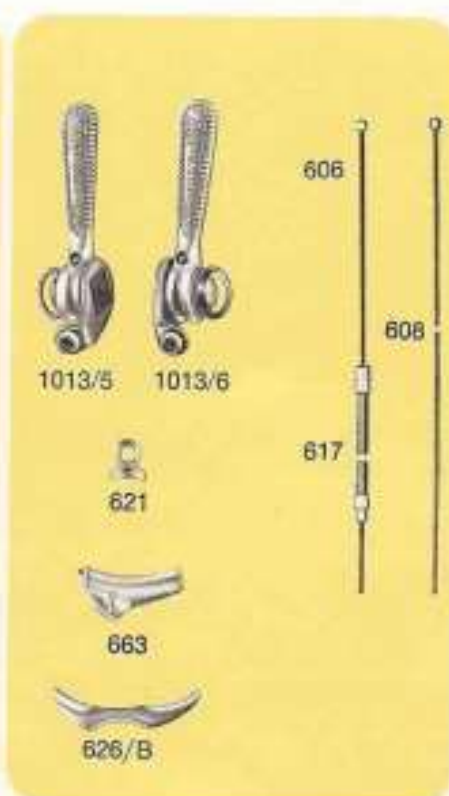
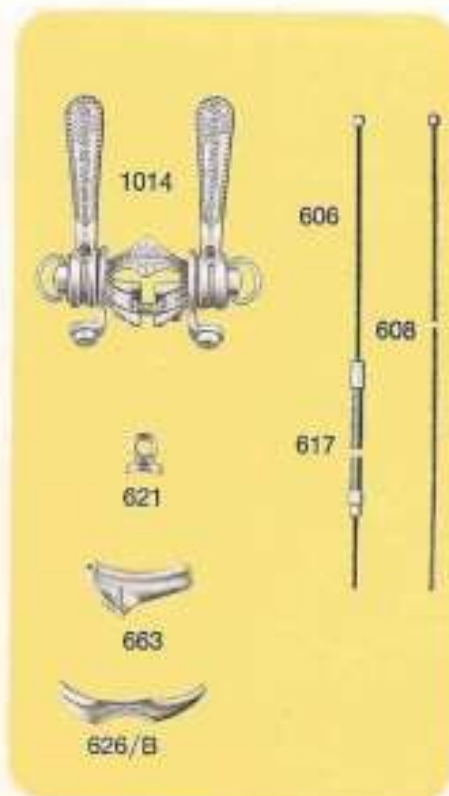
1052/1



PARTICULAR COMPONENTS OF CAMPAGNOLO RECORD ROAD GROUP 1032/F

- 137 Segment expanding screw
- 138 Segment
- 139/1 Counter-nut
- 139/2 Hexagonal screw
- 140/1 Tension adjusting screw
- 142 Spring segment holder
- 145 Gear cable to handlebar control (197 cm.)
- 173 Handlebar lever rubber
- 174 Handlebar friction plate
- 174/1 Lever friction plate
- 200/2 Handlebar control body
- 201 Handlebar lever

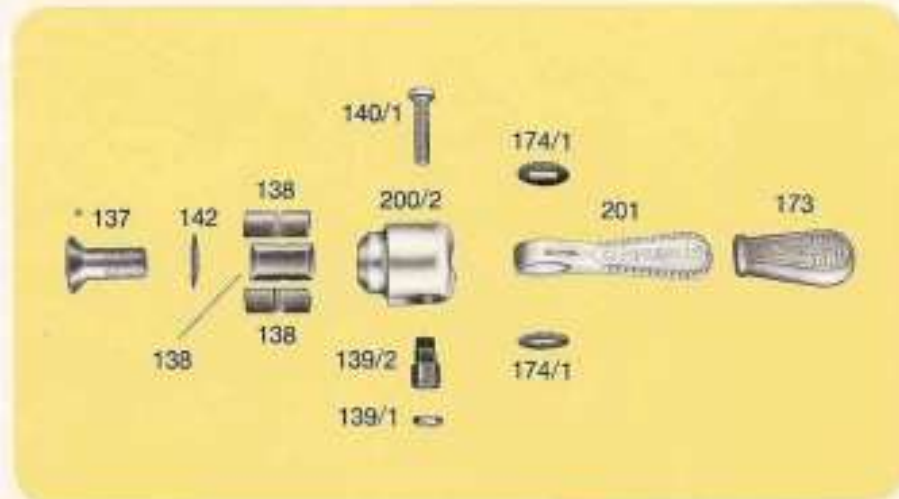
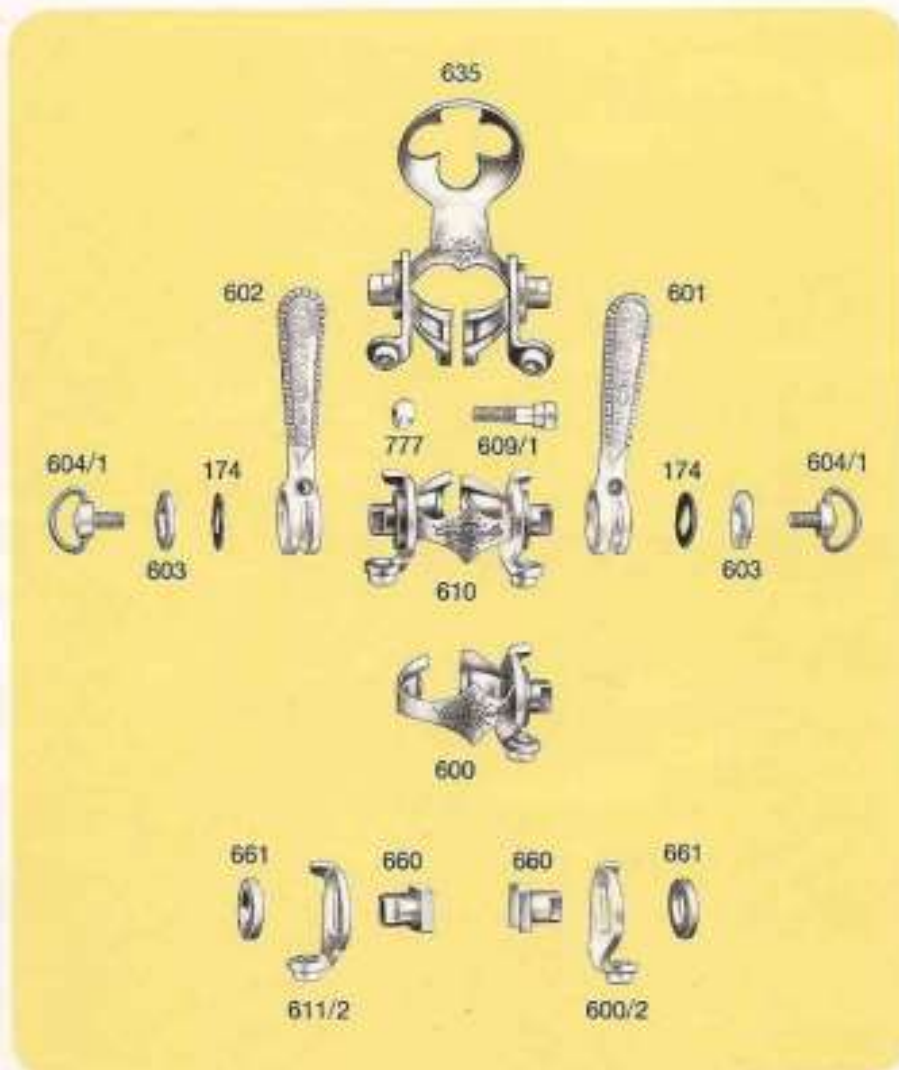
- 218 Front changer cable to handlebar control (150 cm.)
- 600 Right hand collar (without screw and nut)
- 600/2 Right hand braze-on control lever plate
- 601 Gear control lever only
- 602 Front changer control lever only
- 603 Cover plate
- 604/1 Friction adjusting wing nut
- 606 Down tube control gear inner wire (118 cm.)



- 606 Down tube control front changer inner wire (72 cm.)
- 609/1 Fixing clip bolt
- 610 Record twin control clip
- 611/2 Left hand braze-on control lever plate
- 617 Braze-on gear stainless steel outer casing (21 cm.)
- 621 Braze-on cable stop
- 622 Gear stainless steel outer casing (21 cm.)
- 623 Front changer stainless steel

- 625 Stainless steel outer casing to down tube handlebar control (75 cm.)
- 626/A Twin gear cable clip
- 626/B Braze-on cable ferrule
- 627/A Down tube tunnel R/H for gear
- 629 Twin handlebar control clip
- 630 Clip-on-tunnel and stop with pump holder D/T
- 635 Pump holder twin control Record lever bosses

- 636 Chainstay clip
- 660 Braze-on boss
- 661 Brazed boss collar
- 663 Braze-on cable ferrule
- 777 Nut
- 1012/3 Handlebar control
- 1013/1 Right hand down tube control
- 1013/5 Front changer braze-on control
- 1013/6 Gear braze-on control
- 1014 Twin down tube control lever with pump holder
- 1014/1 Twin down tube control lever with pump holder

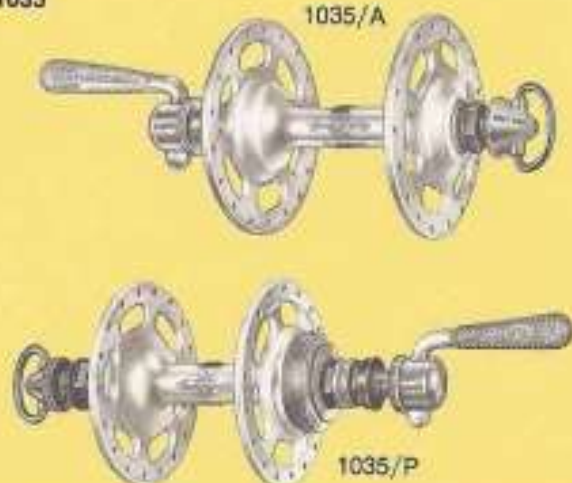


PARTICULAR COMPONENTS OF CAMPAGNOLO RECORD ROAD GROUP 1032/F

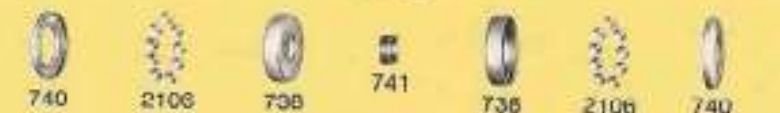
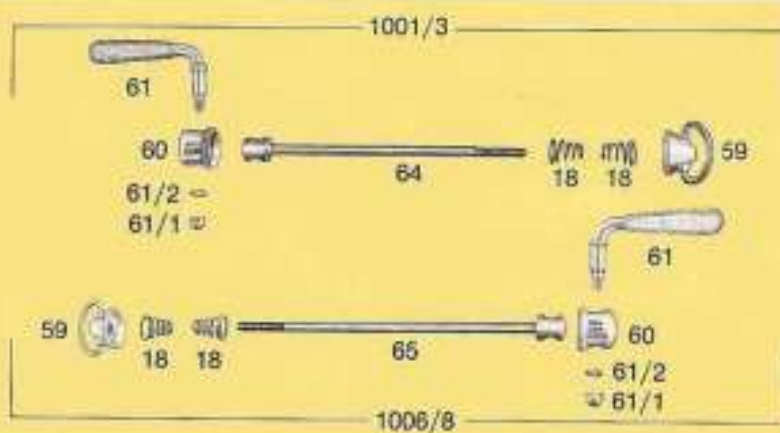
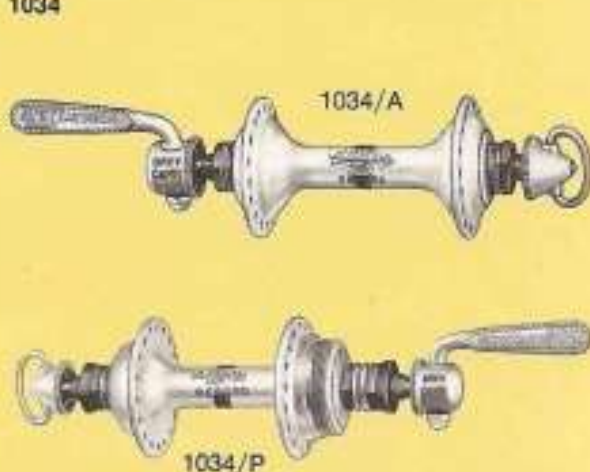
- 1034** Pair Record small flange quick release road hubs (front width 100 mm. - rear width 120 mm., flanges with 36 holes, thread $\varnothing 35 \times 24F.$). Upon request furnished with rear hub suitable for 6 sprockets, width 125 mm., flanges with 24 - 28 - 32 - 40 holes, thread $\varnothing 34,7 \times 1M.$ or $\varnothing 1,370'' \times 24$ Tpi-BSC
- 1034/A** Record road small flange front hub
- 1034/P** Record road small flange rear hub

- 1035** Pair Record large flange quick release road hubs (front width 100 mm. - rear width 120 mm., flanges with 36 holes, thread $\varnothing 35 \times 24F.$). Upon request furnished with rear hub suitable for 6 sprockets, width 125 mm., flanges with 24 - 28 - 32 - 40 holes, thread $\varnothing 34,7 \times 1M.$ or $\varnothing 1,370'' \times 24$ Tpi-BSC
- 1035/A** Record road large flange front hub
- 1035/P** Record road large flange rear hub

1035



1034



- 1** Front lock nut
18 Conical spring
19 Front hollow axle
25/R Front cone
29/R Rear hollow axle (129 mm. long). Upon request are furnished spindles 132 - 134 and 140 mm. long
32/R Rear cone
33 Rear lock nut
35 Front hub lock washer
36 Rear hub lock washer
46 Rear spacing collar
59 Quick release conical adjuster
60 Quick release cap
61 Quick release lever
61/1 Domed nut
61/2 Grover washer
64 Quick release front skewer
65 Quick release rear skewer
737 Front ball cup
738 Rear ball cup
739 Front dust cover
740 Rear dust cover
741 Spring clip
1001/3 Complete front quick release skewer for Record hub
1001/4S Complete front axle for Record road hub
1006/5S Complete rear axle for Record road hub
1006/8 Complete rear quick release skewer for Record hub
2104 Set (9+9) special $\varnothing 7/32''$ balls selected with 1/1000 of mm. tolerance
2106 Set (9+9) special $\varnothing 1/4''$ balls selected with 1/1000 of mm. tolerance

PARTICULAR COMPONENTS OF CAMPAGNOLO RECORD ROAD GROUP 1032/F

1037 Pair Record road pedals (spindle thread $\varnothing 9/16'' \times 20F.$). Upon request are furnished threaded M.14 x 1.25

1037/D Record road right hand pedal

1037/S Record road left hand pedal

1037/A Pair superlight Record road pedals

1037/AD Superlight Record road right hand pedal

1037/AS Superlight Record road left hand pedal

89 Locking screw for superlight pedal

669 Left hand pedal axle with thread $\varnothing 9/16'' \times 20F.$

Upon request are furnished with

thread M.14 x 1.25
670 Right hand pedal axle with thread $\varnothing 9/16'' \times 20F.$ Upon request are furnished with thread M.14 x 1.25

672 Inserted race (available also in oversize)

673 Pedal axle washer

674 Pedal axle cone

675 Pedal axle lock nut

676 Toe clip bolt

677 Toe clip washer

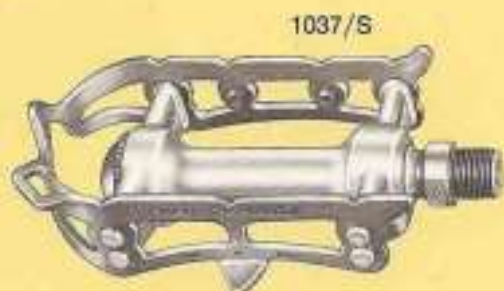
678 Inner dust cap

679 Record pedal dust cap

679/A Superlight pedal dust cap

2103 Set (48) special $\varnothing 5/32''$ pedal balls selected with 1/1000 of mm. tolerance

1037



1037/S



1037/D

1037/A



1037/AS



1037/AD



672



672



674



675



675



678



679



89



677



676



2103



679/A



669



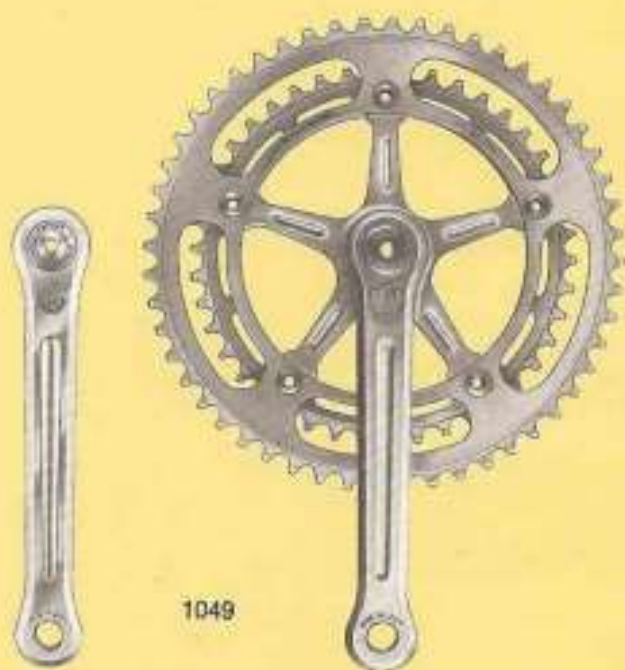
670

PARTICULAR COMPONENTS OF CAMPAGNOLO RECORD ROAD GROUP 1032/F

- 1048** Record road chainwheel set with Nuovo Record bottom bracket
- 1049** Record road chainset (with cranks 170 mm., pedal hole \varnothing 9/16" x 20F. and chainrings for chain 1/2" x 3/32" [2 mm]). Specify the number of teeth of the chainrings available from 42T to 57T. Upon request furnished cranks with lengths 165 - 167,5 - 172,5 -

- 175 - 177,5 and 180 mm.
- 1046/A** Nuovo Record bottom bracket set (bracket width 70 mm. and cups threaded \varnothing 36 x 24F.).
- 744/A** Nuovo Record cotterless road spindle. See measurements and indicate spindle size
- 745/A** Fixed cup. Indicate required thread
- 746/A** Adjustable cup. Indicate required thread
- 747** Lockring with normal 3,5 mm.

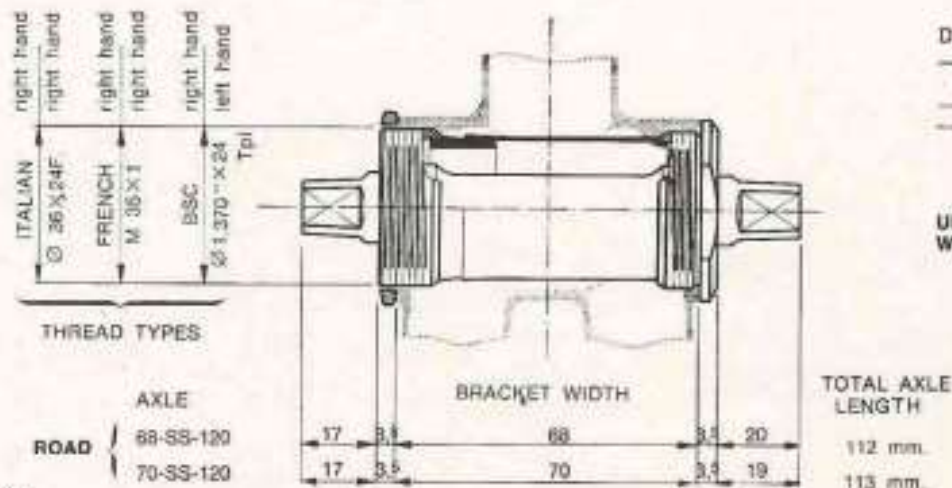
1048



1049



1046/A



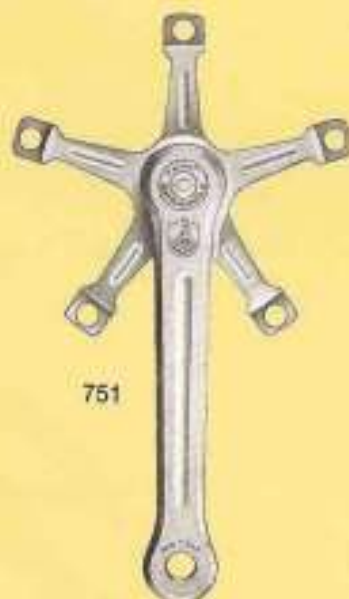
- | | | | | | |
|----------------------------|---|--------------------|---|--|--|
| <p>748
749
751</p> | <p>thickness (available also with 4 mm. and 4.5 mm. thickness). Indicate required thread
Fixing screw
Fixing washer
Right hand road crank (complete with cover 756, 170 mm. long). Upon request are furnished in the following sizes: 165 - 167.5 - 172.5 - 175 -</p> | <p>752
753</p> | <p>177.5 and 180 mm. long
Left hand road crank (complete with cover 756, 170 mm. long). Upon request are furnished in the following sizes: 165 - 167.5 - 172.5 - 175 - 177.5 and 180 mm. long
Road chainring for 1/2" x 3/32" (2 mm.) chain. Specify the number of teeth available from</p> | <p>42T to 57T
754
755
756
801
2100
2110
2110/1</p> | <p>Road chainwheel fastening screw
Road chainwheel fastening nut
Crank cover plate
Spacer for single chainring
Set (11+11) special \varnothing 1/4" balls selected with 1/1000 of mm. tolerance
Record sleeve
Cone for sleeve</p> |
|----------------------------|---|--------------------|---|--|--|



752



753



751



756



755



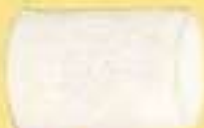
754



801



2110/1



2110



2100



748



749



747



746/A



744/A



745/A



749



748

**PARTICULAR
COMPONENTS
OF CAMPAGNOLO
RECORD
ROAD GROUP
1032/F**

- 1039** Record road head set
thread 25,4 x 24F.). Upon request
are furnished with thread
Ø 25 x 1M. or 1" x 24 Tpi-BSC
- 681** Locking nut
(specify type of threading)
- 682** Locking washer
- 683** Screwed road race
(specify type of threading)

- 684** Road top head race
(0,5 mm. larger gauge available)
- 685** Road bottom head race
(0,5 mm. larger gauge available)
- 686** Road crown race
(smaller diameter available)
- 2101** Set bearings with (20+20)
special b/b Ø 3/16" balls
selected with 1/1000 of mm.
tolerance

1039



1044

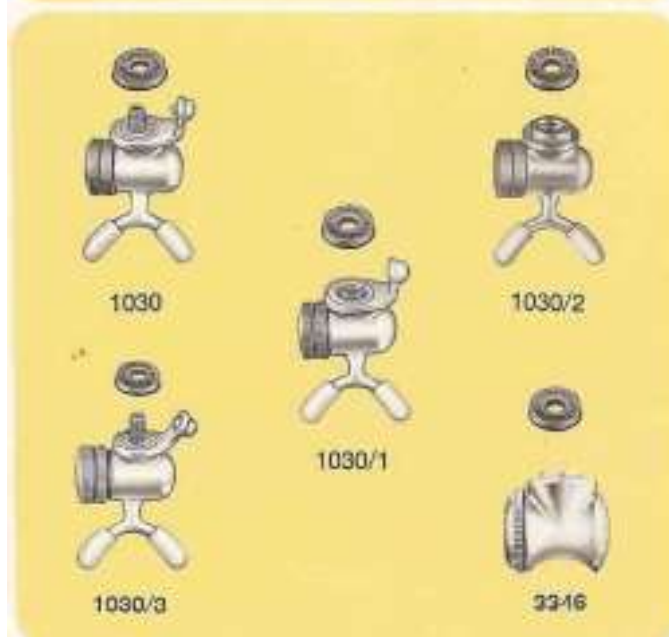
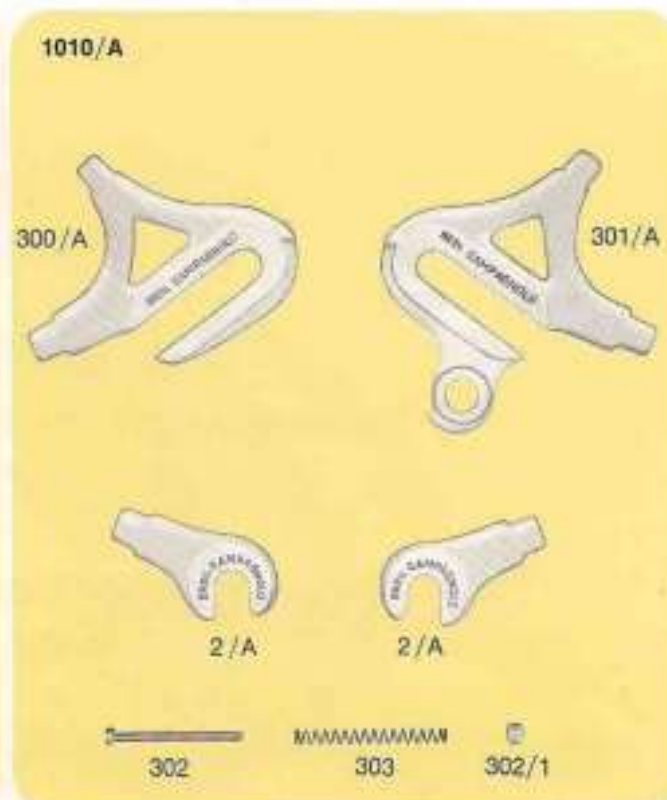
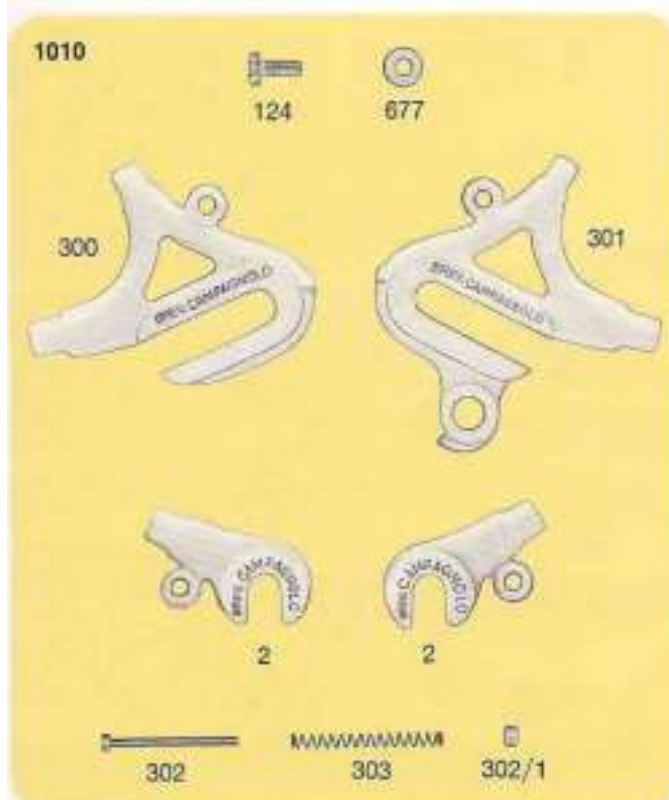


- 1044** Seat pin. Specify diameter stem:
25 - 25,8 - 26 - 26,2 - 26,4 -
26,6 - 26,8 - 27 - 27,2 - 27,4 mm.
and if pin length in 130 mm.
normal or in 180 mm. long

- 698** Front bracket
699 Rear bracket
700 Bolt nut
701 Left hand side support
702 Right hand side support
703 Fixing and adjusting bolt

PARTICULAR COMPONENTS OF CAMPAGNOLO RECORD ROAD GROUP 1032/F

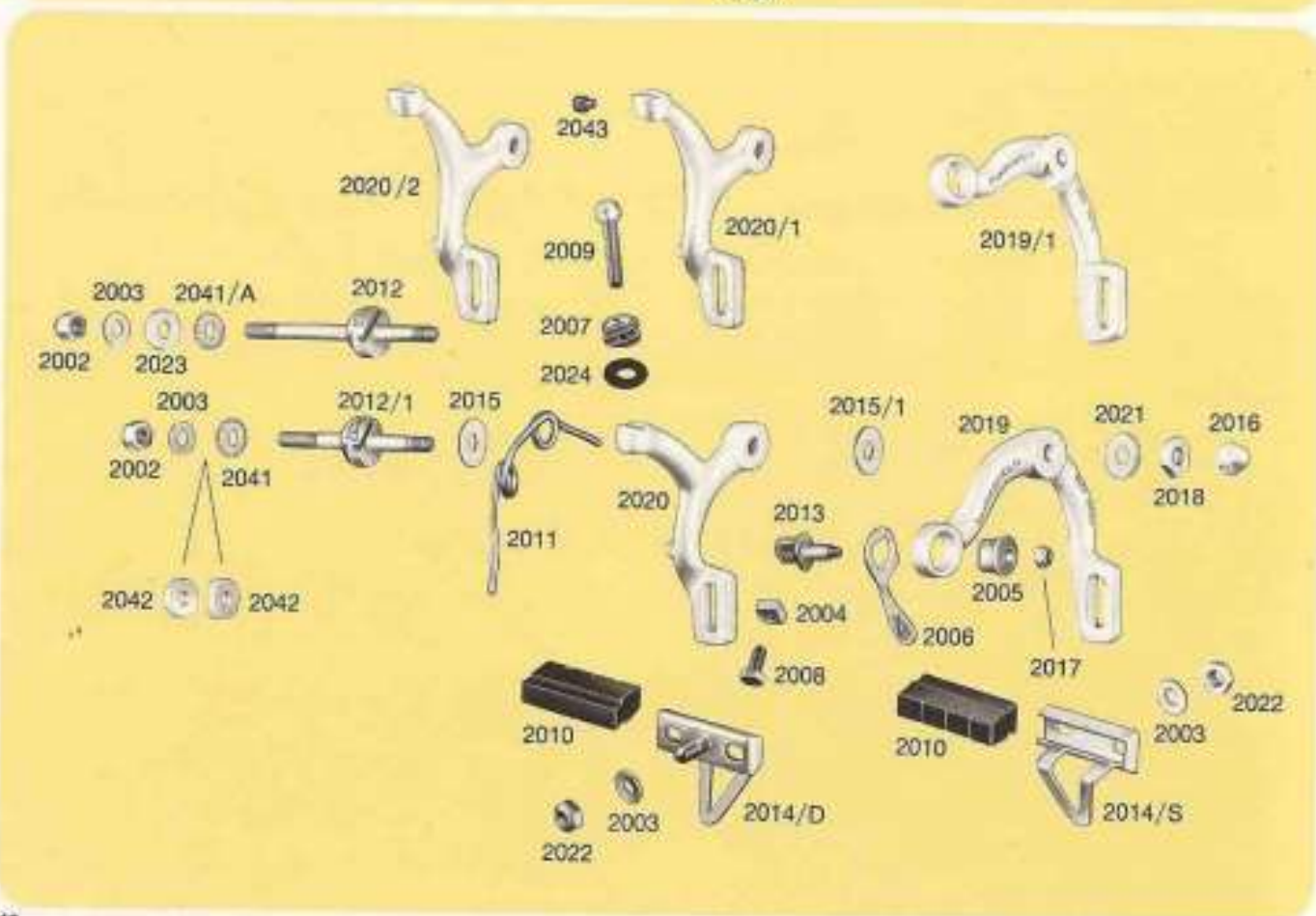
- | | | | |
|--------|---|--------|--|
| 1010 | Set Record front and rear fork ends | 644 | Rubber washer for pump connector 1030 |
| 1010/A | Set Record front and rear fork ends without eyelet | 645 | Connecting screw |
| 2 | Record right and left hand fork ends | 646 | Rubber washer for pump connectors 1030/1 and 1030/2 |
| 2/A | Record right and left hand fork ends without eyelet | 653 | Rubber washer for pump connector 1030/3 |
| 124 | Fixing screw | 677 | Washer |
| 300 | Record left hand rear end | 1030 | Pump connector with $\varnothing 7/32"$ or M7 x 1 locking screw |
| 300/A | Record left hand rear end without eyelet | 1030/1 | Pump connector with M9 x 1.25 locking screw |
| 301 | Record right hand rear end | 1030/2 | Pump connector with M9 x 1.25 locking screw |
| 301/A | Record right hand rear end without eyelet | 1030/3 | Pump connector with M5 x 1 or M7 x 1 locking screw (French type) |
| 302 | Adjusting bolt | 3346 | Superlight pump connector with M9 x 1.25 locking screw |
| 302/1 | Nut for bolt 302 | 3349 | Cover for superlight pump connector |
| 303 | Adjusting bolt spring | 3351 | Washer for superlight pump connector |
| 640 | Rubber cap | | |
| 641 | Milled nut | | |
| 642 | Rubber washer | | |
| 643 | Rubber washer for tubular valves | | |



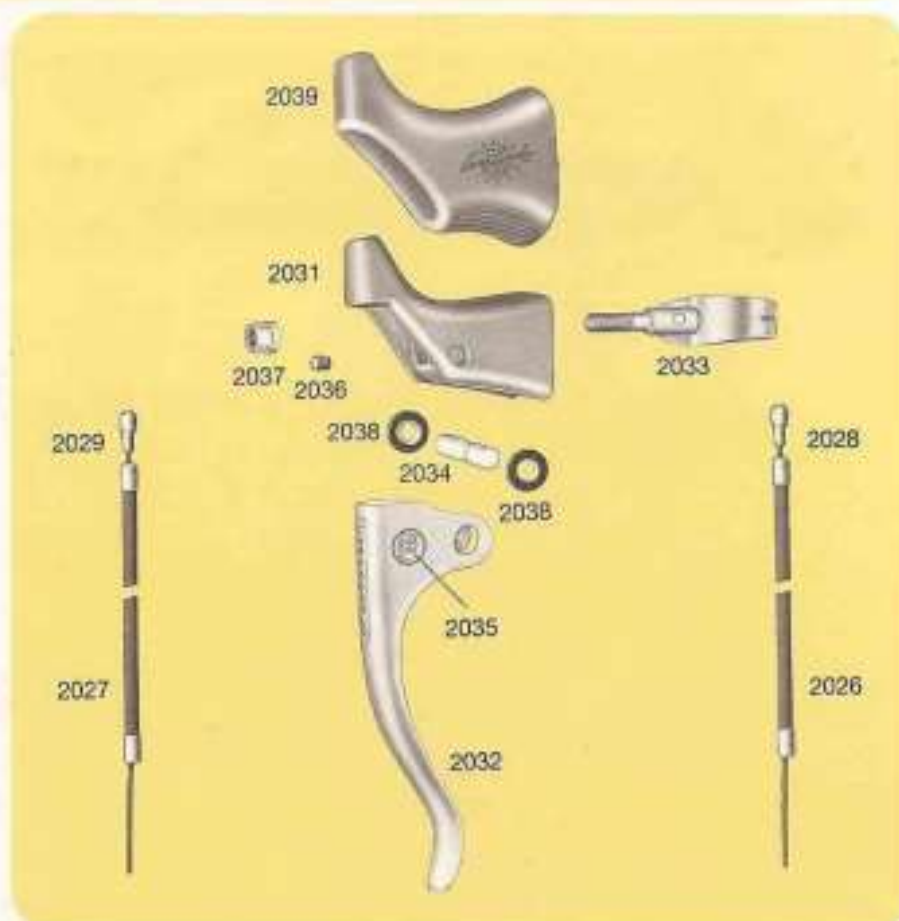
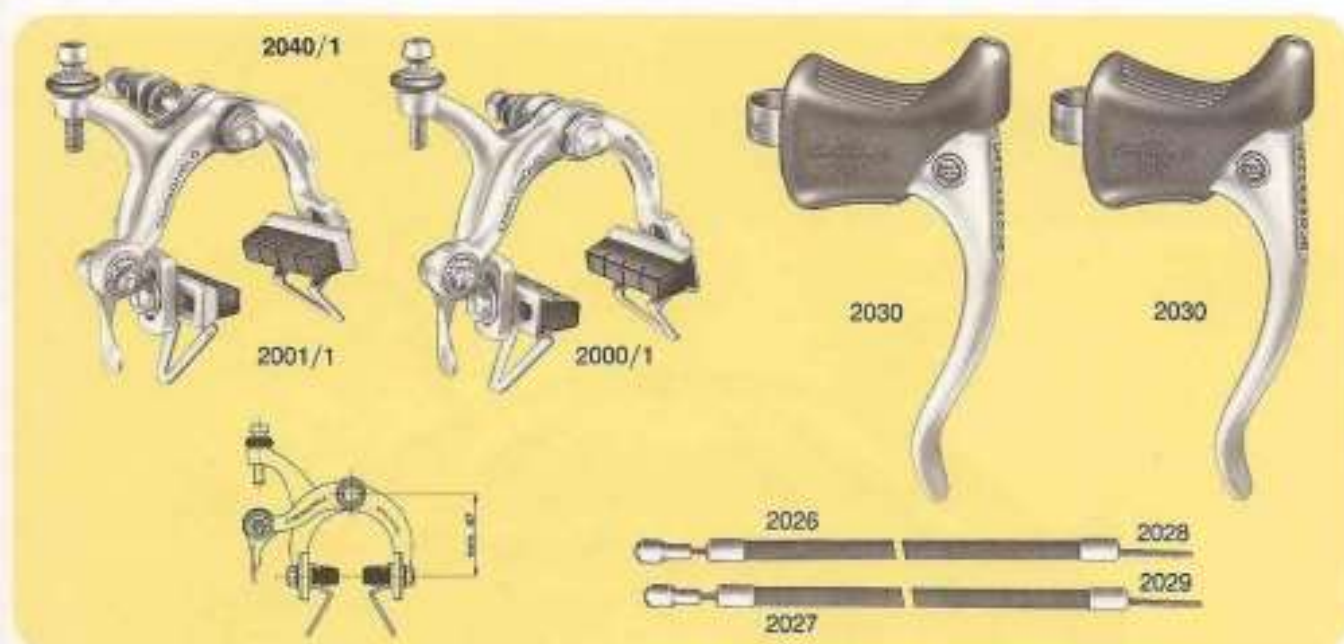
PARTICULAR COMPONENTS OF CAMPAGNOLO RECORD ROAD GROUP 1032/F

- 2040 Set Record brakes
- 2040/1 Set Record small brakes
- 2030 Brake lever
- 2000 Front brake
- 2000/1 Small front brake
- 2001 Rear brake
- 2001/1 Small rear brake
- 2002 Center bolt fixing nut
- 2003 Washer
- 2004 Clamp bolt washer
- 2005 Cam

- 2006 Quick release cam lever
- 2007 Adjusting nut
- 2008 Cable clamp bolt
- 2009 Adjusting screw
- 2010 Brake block
- 2011 Tension spring
- 2012 Front brake center bolt
- 2012/1 Rear brake center bolt
- 2013 Cable clamp
- 2014/D Right hand brake shoe
- 2014/S Left hand brake shoe



2015	Friction washer	2022	Brake shoe nut	2034	Lever pivot pin
2015/1	Inner friction washer	2023	Concave washer for front brake	2036	Grub screw
2016	Domed nut	2024	Adjusting rubber	2037	Clamp nut
2017	Cam locking nut	2026	Front brake outer casing (61 cm.)	2038	Lever bush
2018	Locking nut	2027	Rear brake outer casing (119 cm.)	2039	Rubber lever hood
2019	Stirrup arm	2028	Front inner cable (73 cm.)	2041	Serrated washer for rear brake
2018/1	Small brake front stirrup	2029	Rear inner cable (131 cm.)	2041/A	Serrated washer for front brake
2020	Rear stirrup	2031	Lever hood	2042	Concave washer for rear brake. (Upon request is furnished for round breast band)
2020/1	Small front brake rear stirrup	2032	Lever control (complete with cable holder 2035)	2043	Lever rubber for small brake
2020/2	Small rear brake rear stirrup				
2021	Milled washer				



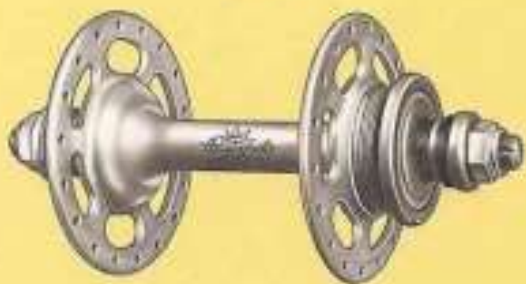
RECORD TRACK GROUP	pages 46-47
RECORD TRACK HUBS	page 48
RECORD AND SUPERLIGHT RECORD TRACK PEDALS	page 49
RECORD TRACK CHAINWHEEL SET AND BOTTOM BRACKET TRACK SET	pages 50-51
RECORD TRACK HEAD SET - RECORD SEAT PIN-FORK ENDS	page 52

1033 CAMPAGNOLO RECORD TRACK GROUP

(Particular components of this group are
illustrated from page 46 to page 52)



1036



1038



1050



1051



1046

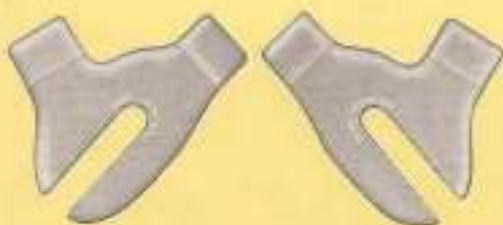




1040



1044



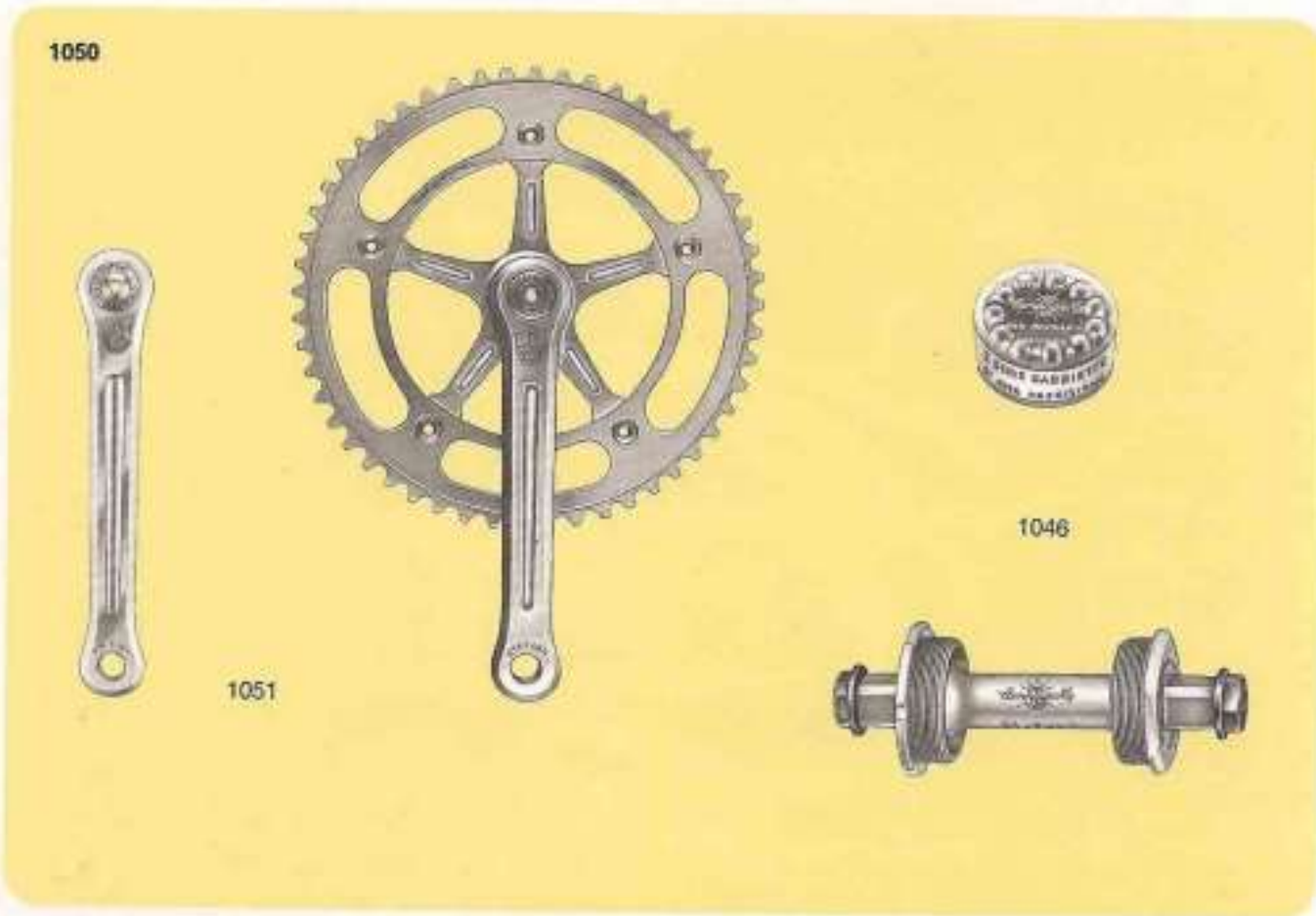
1053



- 1036** Pair Record large flange solid spindle track hubs (front width 100 mm., rear width 110 mm., flanges with 36 holes, thread \varnothing 35 x 24F.). Upon request furnished with rear hub width 130 mm., flanges with 24 - 28 - 32 - 40 holes, thread \varnothing 34,7 x 1M. or 1,370" x 24 Tpi-BSC. See other alternatives on page 48
- 1038** Pair Record track pedals (spindle thread \varnothing 9/16" x 20F.). Upon request furnished spindles threaded M. 14 x 1,25. See page 49
- 1040** Record track head set (thread \varnothing 25,4 x 24F.). Upon request furnished with thread \varnothing 25 x 1M. or 1" x 24 Tpi-BSC
- 1044** Seat pin. Specify diameter stem: 25 - 25,6 - 26 - 26,2 - 26,4 - 26,6 - 26,8 - 27 - 27,2 - 27,4 mm. and if length stem is 130 mm. normal or in 180 mm. long
- 1046** Record bottom bracket set (bracket width 70 mm. and cups threaded \varnothing 36 x 24F.). See alternatives on pages 50-51. Upon request is furnished the bracket safety sleeve ref. 2110-2110/1. See page 81
- 1050** Record track chainwheel set with track bottom bracket
- 1051** Record track chainset (with cranks 170 mm., pedal hole \varnothing 9/16" x 20F. and chainring for chain 1/2" x 1/8" [3 mm.]). Specify the number of teeth of the chainring available from 44T to 70T. Upon request furnished cranks with lengths 165 - 167,5 - 172,5 - 175 - 177,5 and 180 mm. and chainring for chain 1/2" x 3/32" (2 mm.). P.S.: For the sprockets see page 81
- 1053** Set track front and rear fork ends

**PARTICULAR
COMPONENTS
OF CAMPAGNOLO
RECORD
TRACK GROUP
1033**

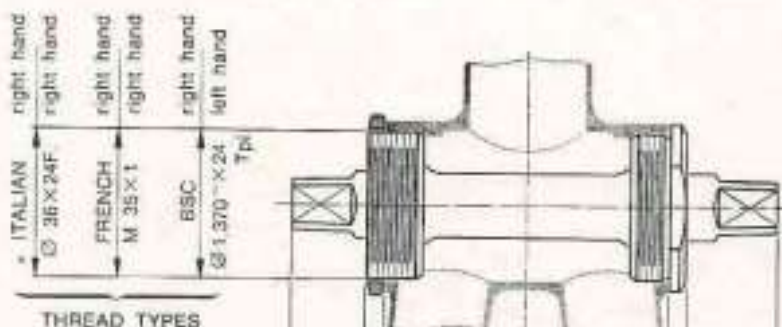
- 1050 Record track chainwheel set with track bottom bracket
- 1046 Record bottom bracket set (bracket width 70 mm. and cups threaded $\varnothing 36 \times 24F$). Upon request is furnished the bracket safety sleeve ref. 2110-2110/1. See page 81
- 1051 Record track chainset (with cranks 170 mm., pedal hole $\varnothing 9/16" \times 20F$ and chainring for chain $1/2" \times 1/8"$ [3 mm.]). Specify the number of teeth of the chainring available from



1050

1051

1046



Details of bracket number:

- The first number indicates the bracket width
- P indicates track
- SS indicates road
- C indicates cross
- Number 110 or 120 indicates the suggested width of the rear hub for a perfect chain alignment (see pages 92-93)

UPON REQUEST WE SUPPLY THE CUPS WITH THREAD INCREASED BY 0,5 mm.

**TRACK
RECORD
AND SUPER
RECORD**

AXLE	
65-P-110	}
68-P-110	
68-P-120	
70-P-120	

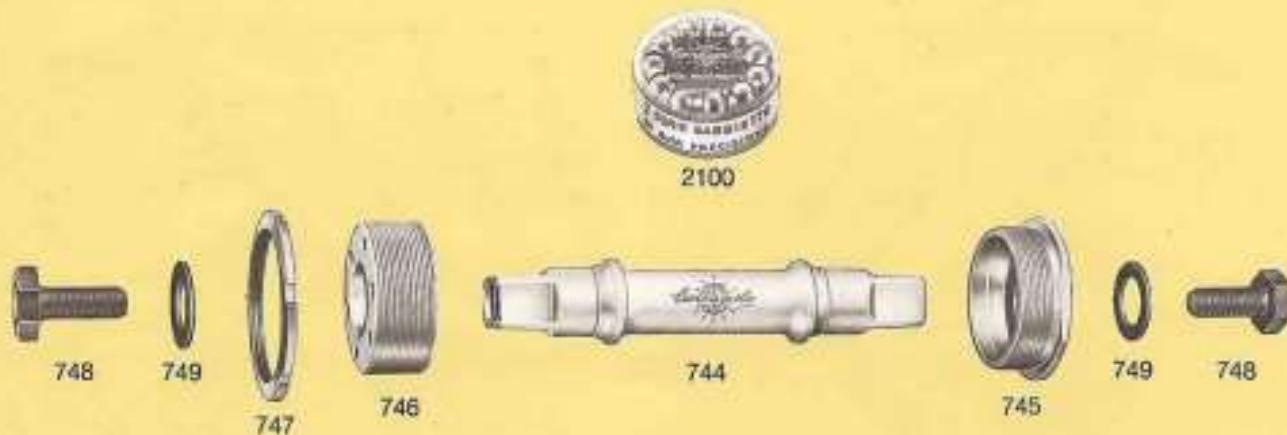
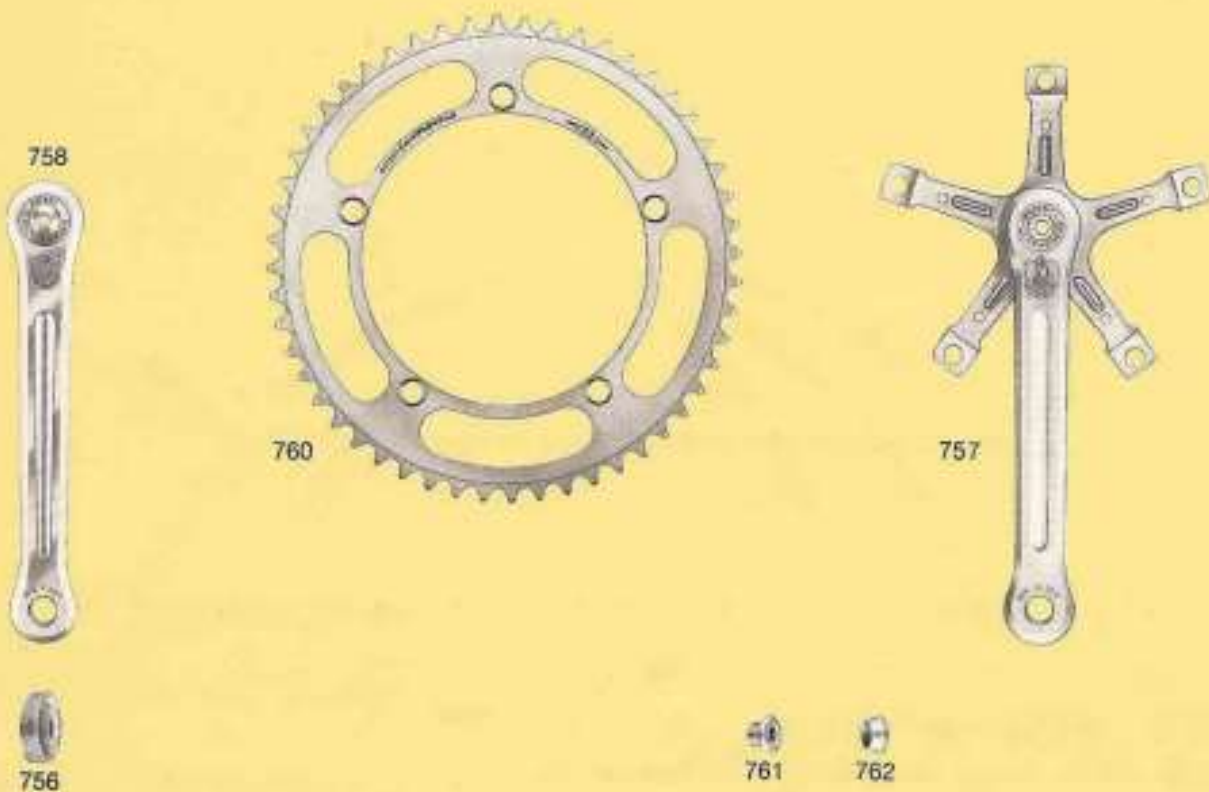
BRACKET WIDTH		TOTAL AXLE LENGTH			
16	3,4	65	3,4	16	104 mm.
14,5	3,4	68	3,4	15,5	105 mm.
17	3,5	68	3,4	17	108 mm.
15	3,5	70	3,4	16	108 mm.

44T to 70T. Upon request are furnished cranks with lengths 165 - 167,5 - 172,5 - 175 - 177,5 and 180 mm.

- 744 Cotterless spindle. See measurements and indicate spindle size
- 745 Fixed cup. Indicate required thread
- 746 Adjustable cup. Indicate required thread
- 747 Lockring with normal 3.5 mm. thickness (available also with 4 mm. and 4.5 mm. thickness)

- 748 Indicate required thread
- 749 Fixing screw
- 756 Crank cover plate
- 757 Track right hand crank (complete with cover 756, 170 mm. long). Upon request furnished in the following sizes: 165 - 167,5 - 172,5 - 175 - 177,5 and 180 mm. long
- 758 Track left hand crank (complete with cover 756, 170 mm. long). Upon request are furnished in

- 760 the following sizes: 165 - 167,5 - 172,5 - 175 - 177,5 and 180 mm. long and chainrings for chain 1/2" x 3/32" (2 mm.). Record track chainring for 1/2" x 1/8" (3 mm.) chain. Specify the number of teeth available from 44T to 70T
- 761 Track chainwheel fastening screw
- 762 Track chainwheel fastening nut
- 2100 Set (11+11) special b/b \varnothing 1/4" balls selected with 1/1000 of mm. tolerance



PARTICULAR COMPONENTS OF CAMPAGNOLO RECORD TRACK GROUP 1033

- | | |
|--|---|
| <p>1040 Record track head set thread \varnothing 25,4 x 24F.). Upon request furnished with thread \varnothing 25 x 1 M. or \varnothing 1" x 24 Tpi-BSC</p> <p>1044 Seat pin. Specify diameter stem: 25 - 25,8 - 26 - 26,2 - 26,4 - 26,8 - 26,8 - 27 - 27,2 - 27,4 mm. and if length stem in 130 mm. normal or in 180 mm. long</p> <p>1053 Set track front and rear fork ends</p> <p>681 Locking nut (specify type of threading)</p> <p>682 Locking washer</p> <p>687 Track screwed race (specify type of threading)</p> | <p>688 Track top head race (0,5 mm. larger gauge available)</p> <p>689 Track bottom head race (0,5 mm. larger gauge available)</p> <p>690 Track crown race (smaller diameter available)</p> <p>698 Front bracket</p> <p>699 Rear bracket</p> <p>700 Bolt nut</p> <p>701 Left hand side support</p> <p>702 Right hand side support</p> <p>703 Fixing and adjusting bolt</p> <p>2102 Set (25+25) special b/b \varnothing 5/32" balls selected with 1/1000 of mm. tolerance</p> |
|--|---|

1040



1044



1053



GRAN SPORT GROUP

pages 54-55

NUOVO GRAN SPORT GEAR - FRONT CHANGERS
WITH ALTERNATIVE GRAN SPORT CONTROL LEVERS

pages 56-57-58-59-60

NUOVO TIPO HUBS

page 61

ROAD SPORT CHAINWHEEL SET AND
BOTTOM BRACKET SET

pages 62-63

SPORT HEAD SET - FORK ENDS

page 64

2240 CAMPAGNOLO GRAN SPORT GROUP

(Particular components of this group are illustrated from page 56 to page 64)



3500



2050



1253



- 605 Down tube control gear inner wire (118 cm.)
- 608 Down tube control front changer inner wire (72 cm.)
- 622 Gear stainless steel outer casing (21 cm.)
- 626/A Twin gear cable clip
- 636 Chainstay clip
- 1010 Set Record front and rear fork ends
- 1014/1A Gran Sport twin down tube control lever. See alternatives on pages 58-59



1014/1A



608

606

622



626/A



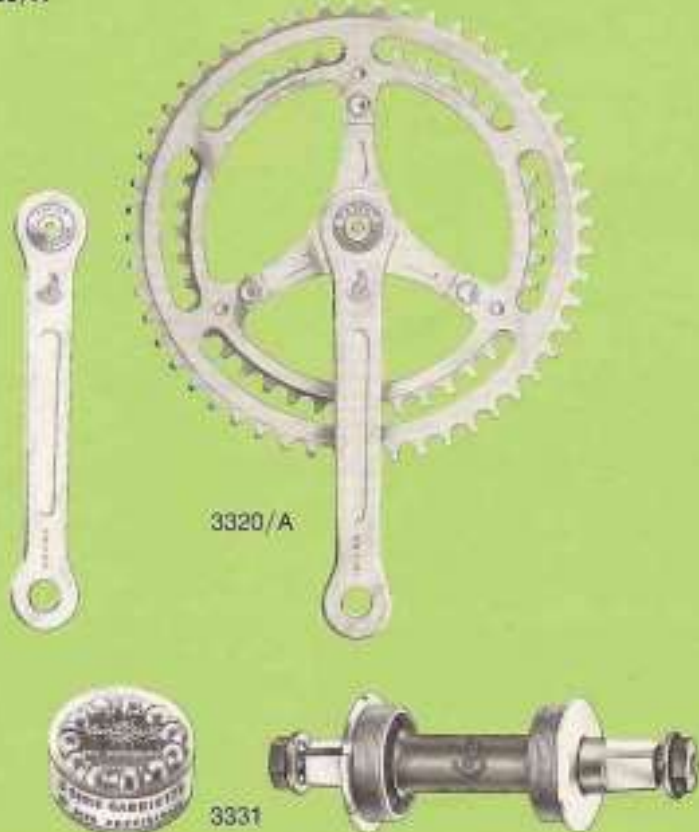
636

1040/A Sport head set (thread \varnothing 25,4 x 24F.). Upon request are furnished with thread \varnothing 25 x 1M. or \varnothing 1" x 24 Tpi-BSC
 1253 Pair Nuovo Tipo large flange quick release hubs (front width 100 mm., rear width 120 mm., flanges with 36 holes, thread \varnothing 36 x 24F.). Upon request furnished with thread \varnothing 34,7 x 1M. or \varnothing 1,370" x 24 Tpi-BSC. See other alternatives on page 61

2050 Front changer. See alternatives on page 60
 3320/A Sport road chainset (with cranks 170 mm., pedal hole \varnothing 9/16" x 20F. and fixed couple of chainrings for chain 1/2" x 3/32" [2 mm.]). Specify the number of teeth of the fixed couple of chainrings available as follows: 42/49T - 42/50T - 42/51T - 42/52T - 42/53T. Upon request

furnished cranks with pedal hole M.14 x 1,25
 3330/A Sport chainwheel set
 3331 Sport bottom bracket set (bracket width 70 mm. and cups threaded \varnothing 36 x 24F.). See alternatives on pages 62-63. Upon request is furnished the bracket safety sleeve ref. 2110 - 2110/1. See page 81
 3500 Nuovo Gran Sport gear (without hanger)

3330/A



1010/A

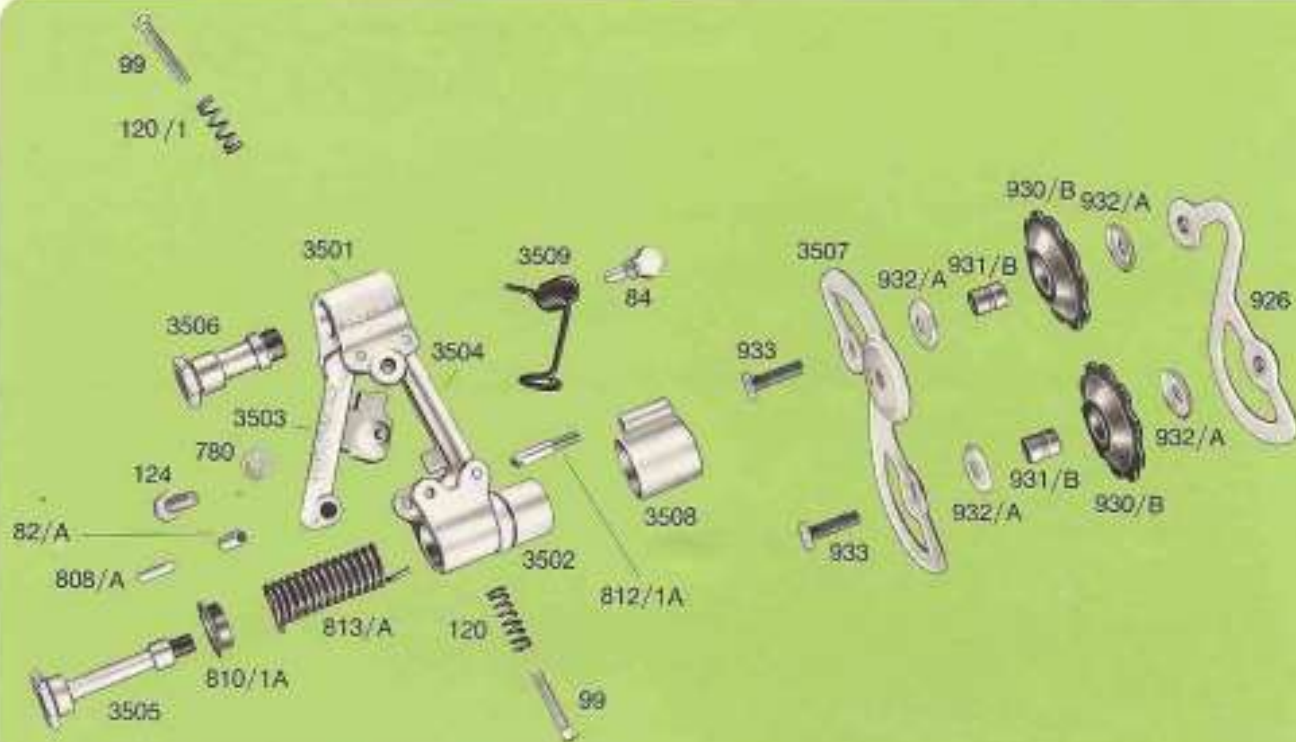
PARTICULAR COMPONENTS OF CAMPAGNOLO GRAN SPORT GROUP 2240

- 3500 Nuovo Gran Sport gear (without hanger)
- 82/A Body ferrule
- 84 Gear return spring screw
- 99 Gear adjusting screw
- 120 Lower adjuster spring
- 120/1 Upper adjuster spring
- 124 Fixing screw
- 780 Cable clamp screw washer
- 808/A Spindle
- 810/1A Lower body bush
- 812/1A Grub screw
- 813/A Tension spring
- 926 Inner cage plate

- 930/B Roller
- 931/B Roller bush
- 932/A Roller dust cover
- 933 Roller bolt
- 3501 Upper body
- 3502 Lower body
- 3503 Front arm
- 3504 Inner arm
- 3505 Spring cage bolt
- 3506 Upper pivot bolt
- 3507 Outer cage plate
- 3508 Cover
- 3509 Gear return spring



3500



**PARTICULAR
COMPONENTS
OF CAMPAGNOLO
GRAN SPORT
GROUP
2240**

2050	Front changer
89	Clamp washer
210	Body clip bolt
211	Body fixing clip
213	Fork fixing bolt
214	Fork cage
217	Nut
226	Adjusting bolt spring
227	Adjusting lever screw
780	Cable clamp bolt washer
1601	Front changer body
1602	Control fork
1603	Spindle
1604	Front changer return spring
1605	Bolt

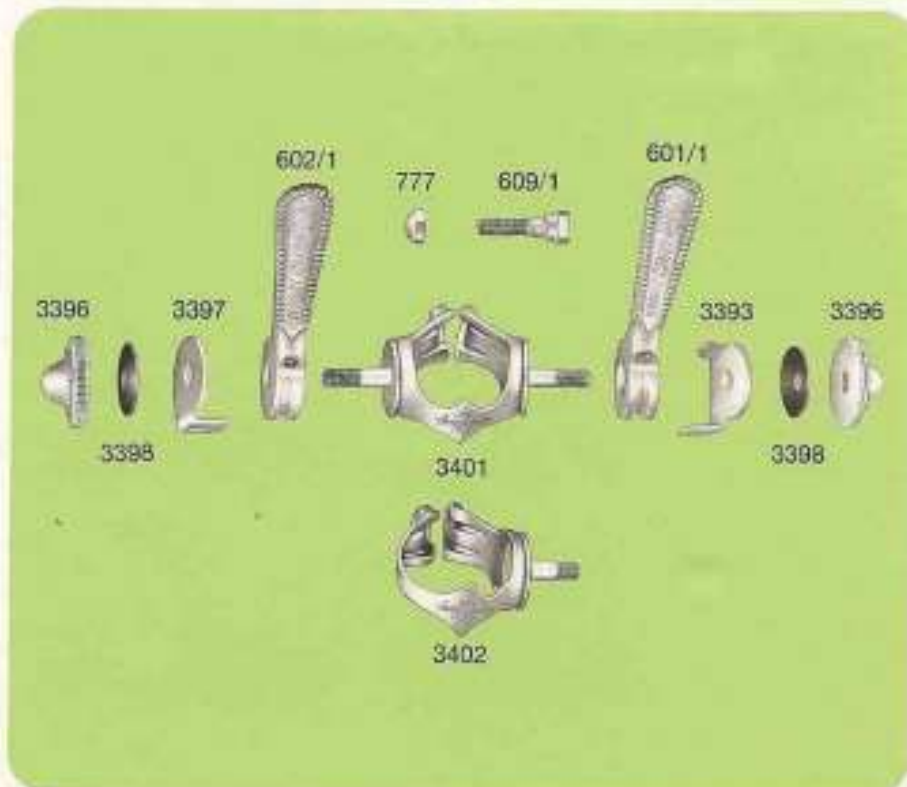
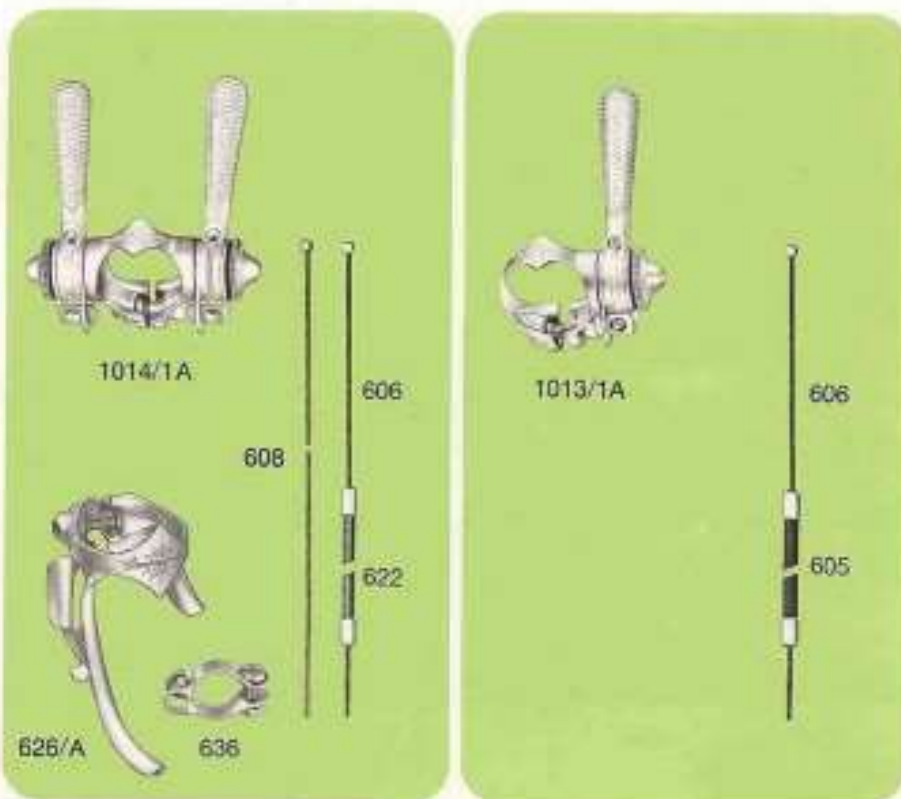


2050



**PARTICULAR
COMPONENTS
OF CAMPAGNOLO
GRAN SPORT
GROUP
2240**

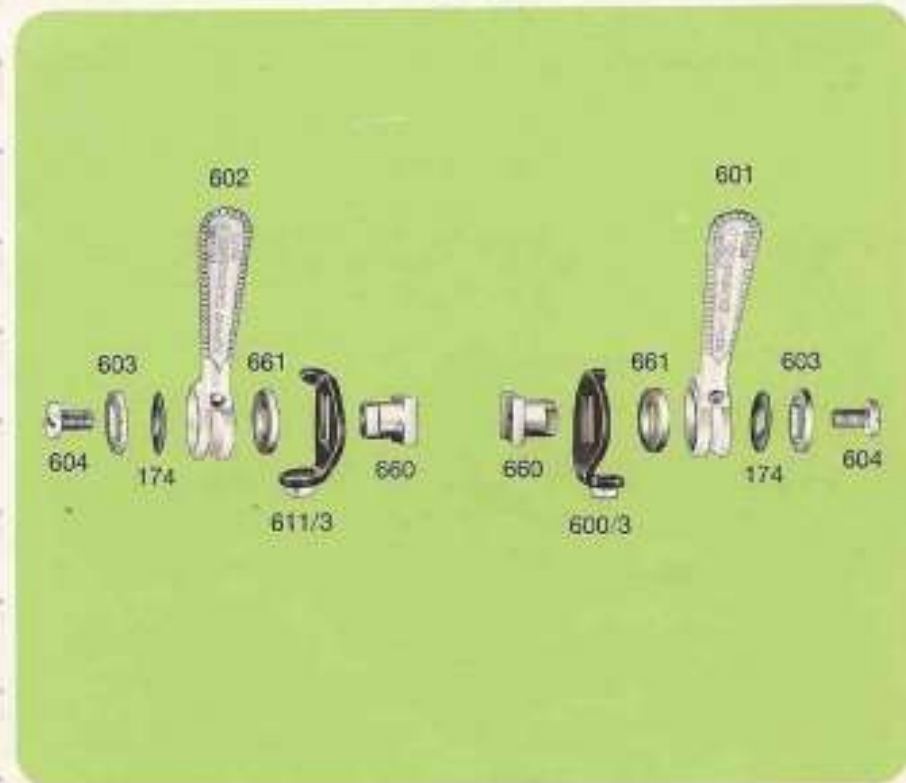
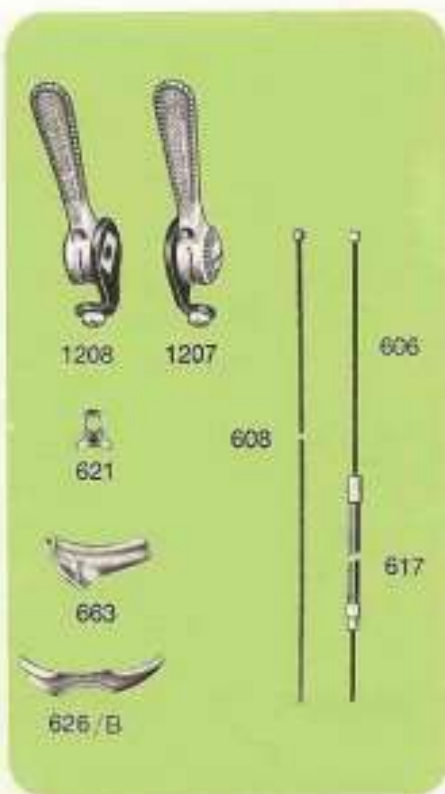
- 1013/1A** Right hand Gran Sport down tube control
- 1014/1A** Gran Sport twin down tube control lever
- 1207** Braze-on gear control
- 1208** Braze-on front changer control
- 174** Friction plate
- 600/3** Right hand braze-on control plate with ferrule
- 601** Right hand control lever only



- 601/1 Right hand control lever only
- 602 Left hand control lever only
- 602/1 Left hand control lever only
- 603 Cover plate
- 604 Friction adjusting screw
- 605 Gear outer casing (105 cm.)
- 606 Down tube control gear inner wire (118 cm.)
- 608 Down tube control front changer inner wire (72 cm.)
- 609/1 Fixing clip bolt

- 611/3 Left hand braze-on control lever plate
- 616 Gear viala outer casing (23 cm.)
- 617 Braze-on gear stainless steel outer casing (21 cm.)
- 621 Braze-on cable stop
- 622 Gear stainless steel outer casing (21 cm.)
- 626/A Twin gear cable clip
- 626/B Braze-on cable ferrule
- 636 Chainstay clip

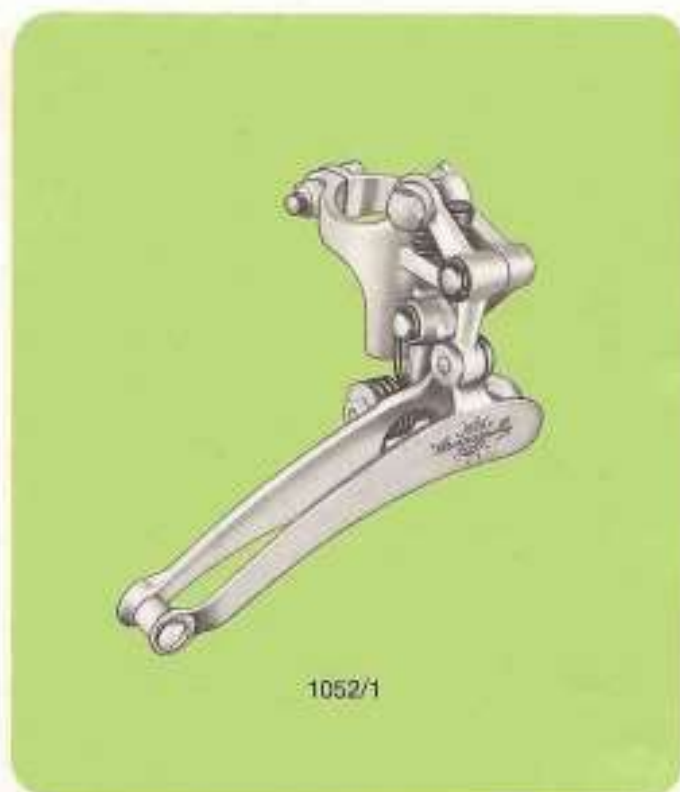
- 660 Braze-on boss
- 661 Brazed boss collar
- 663 Braze-on ferrule
- 777 Nut
- 3393 Right hand toothed washer
- 3396 Milled nut for Gran Sport lever
- 3397 Left hand toothed washer
- 3398 Elastic washer
- 3401 Gran Sport twin control clip
- 3402 Gran Sport right hand control clip



PARTICULAR COMPONENTS OF CAMPAGNOLO GRAN SPORT GROUP 2240

- 1052/1 Record front changer
- 89 Locking screw
- 215 Cage spanner bolt
- 217 Cage spacer bolt nut
- 773 Record front changer body (complete with clip and hinge)
- 773/1 Hinge
- 773/2 Hinge pin
- 774 Adjusting screw
- 775 Adjusting bolt spring
- 776 Clip fixing screw

- 777 Nut
- 778 Upper arm
- 780 Cable clamp bolt washer
- 782 Lower arm
- 784 Front changer cage
- 785 Ferrule for front changer cage
- 786 Spindle for front changer cage
- 787 Front changer return spring
- 788 Cage shank bolt
- 790 Bush
- 941 Circlip



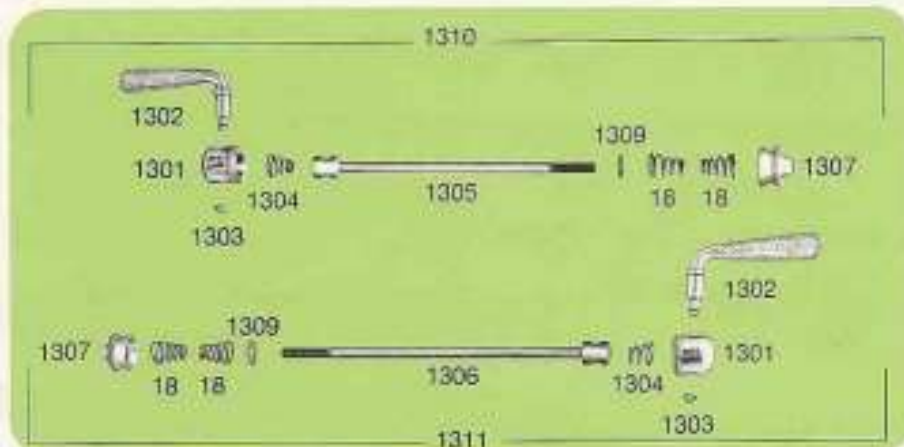
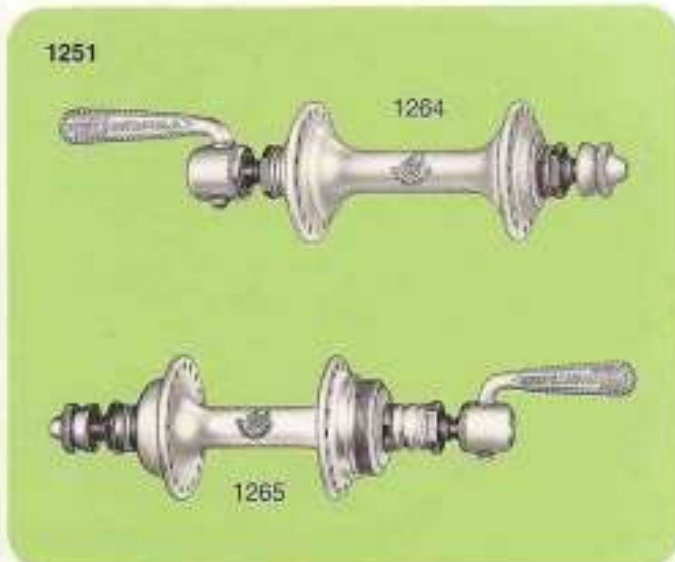
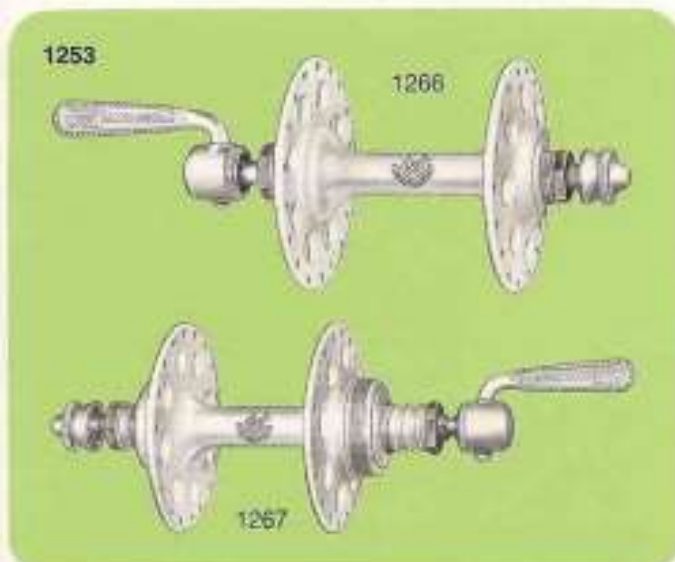
1052/1



PARTICULAR COMPONENTS OF CAMPAGNOLO GRAN SPORT GROUP 2240

- 1251** Pair Nuovo Tipo small flange quick release hubs (front width 100 mm., rear width 120 mm., flanges with 36 holes, thread \varnothing 35 x 24F.). Upon request are furnished with thread \varnothing 34,7 x 1M. or \varnothing 1,370" x 24 Tpi-BSC
- 1264** Nuovo Tipo small flange front hub
- 1265** Nuovo Tipo small flange rear hub

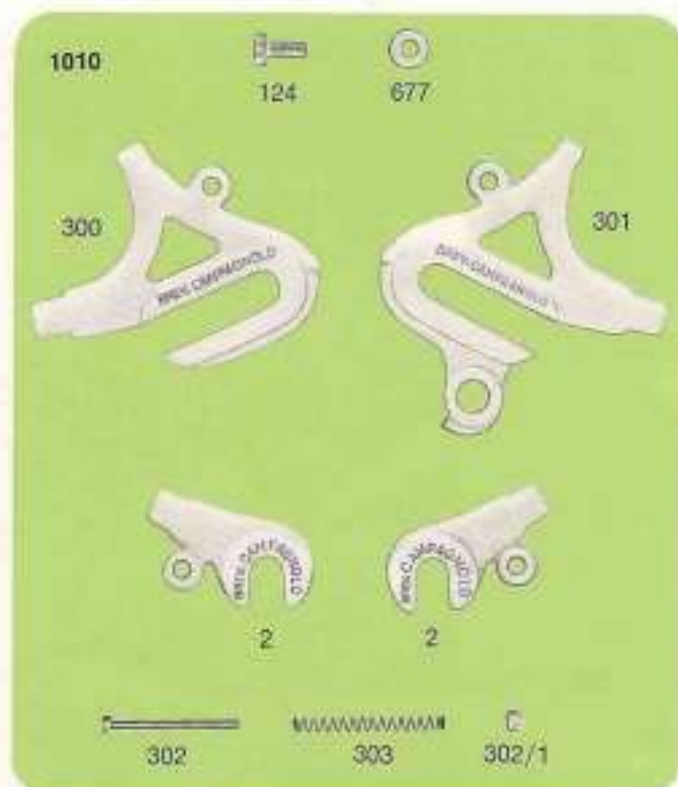
- 1253** Pair Nuovo Tipo large flange quick release hubs (front width 100 mm., rear width 120 mm., flanges with 36 holes, thread \varnothing 35 x 24F.). Upon request are furnished with thread \varnothing 34,7 x 1M. or \varnothing 1,370" x 24 Tpi-BSC
- 1266** Nuovo Tipo large flange front hub
- 1267** Nuovo Tipo large flange rear hub



- 1** Front lock nut
- 18** Conical spring
- 19** Front hollow axle
- 25** Front cone
- 29** Rear hollow axle (127 mm. long). Upon request are furnished spindles 132 and 134 mm. long
- 32** Rear cone
- 35** Front hub lock washer
- 36** Rear hub lock washer
- 46** Rear spacing collar
- 1001/4** Complete front hollow spindle for Nuovo Tipo hub
- 1256** Complete rear hollow spindle for Nuovo Tipo hub
- 1270** Front ball cup
- 1271** Rear ball cup
- 1272** Front dust cover
- 1273** Rear dust cover
- 1283** Rear lock nut
- 1285** Large spacing collar
- 1301** Quick release cap
- 1302** Quick release lever
- 1303** Circlip for lever
- 1304** Conical tension spring
- 1305** Quick release front skewer
- 1306** Quick release rear skewer
- 1307** Knurled adjusting nut
- 1309** Washer for skewer
- 1310** Complete front quick release skewer for Nuovo Tipo hub
- 1311** Complete rear quick release skewer for Nuovo Tipo hub
- 2105** Set (10+10) special \varnothing 3/16" balls selected with 1/1000 of mm. tolerance
- 2106** Set (9+9) special \varnothing 1/4" balls selected with 1/1000 of mm. tolerance

PARTICULAR COMPONENTS OF CAMPAGNOLO GRAN SPORT GROUP 2240

- 1010 Set Record front and rear fork ends
- 1040/A Sport head set (thread \varnothing 25,4 x 24F.). Upon request furnished with thread \varnothing 25 x 1M. or \varnothing 1" x 24 Tpi-BSC
- 2 Record right and left front fork ends
- 124 Fixing screw
- 300 Record left hand rear end
- 301 Record right hand rear end
- 302 Adjusting bolt
- 302/1 Nut for bolt 302
- 303 Adjusting bolt spring
- 677 Toe clip washer
- 681 Locking nut (specify type of threading)
- 682 Locking washer
- 687/A Sport screwed race (specify type of threading)
- 688/A Sport top head race (0,5 mm. larger gauge available)
- 689/A Sport bottom head race (0,5 mm. larger gauge available)
- 690/A Sport crown race (smaller diameter available)
- 2102 Set (25+25) special \varnothing 5/32" balls selected with 1/1000 of mm. tolerance



VALENTINO EXTRA GROUP

page 66

VALENTINO EXTRA GEAR - FRONT CHANGER
WITH ALTERNATIVE VALENTINO CONTROL LEVERS

pages 67-68-69-70

VALENTINO EXTRA GROUP

(Particular components of this group are illustrated from page 67 to page 70)



- 606 Down tube control gear inner wire (118 cm.)
- 608 Down tube control front changer inner wire (72 cm.)
- 1206 Valentino twin control lever
- 2050 Front changer
- 2170 Valentino Extra gear with hanger



2170



2050



1206



608

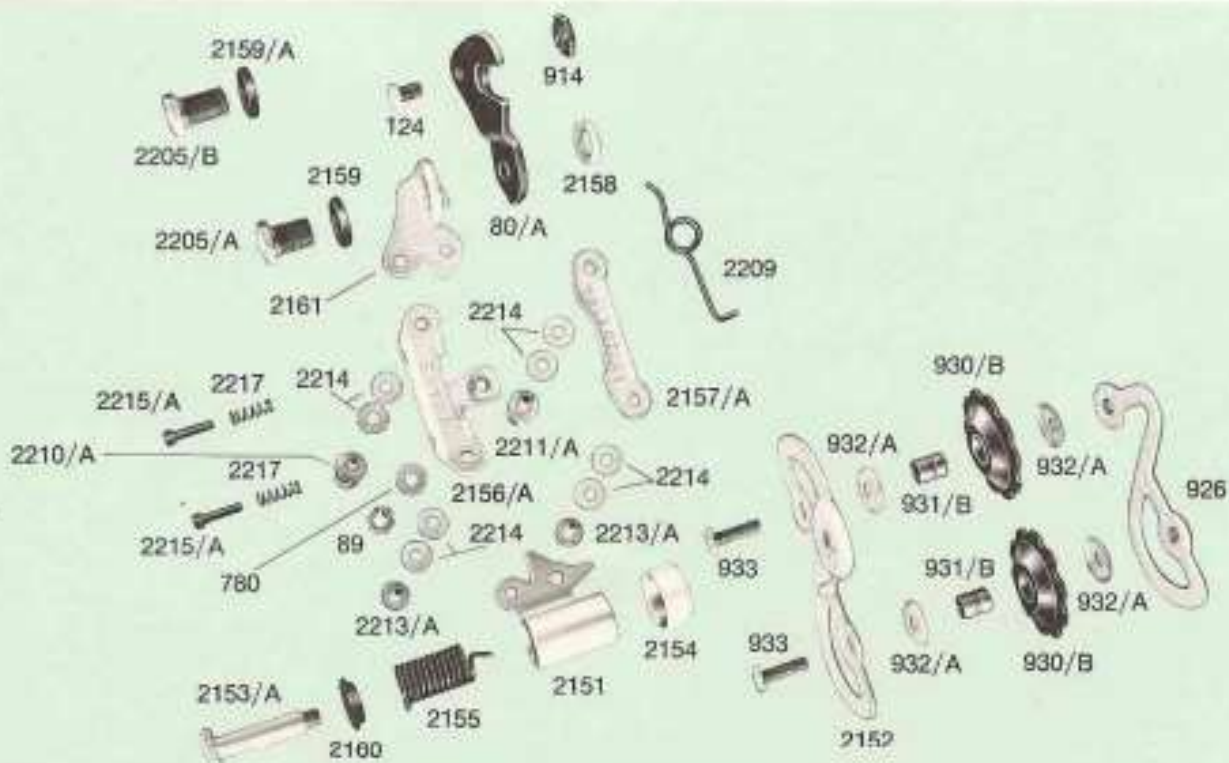
606

PARTICULAR COMPONENTS OF VALENTINO EXTRA GROUP



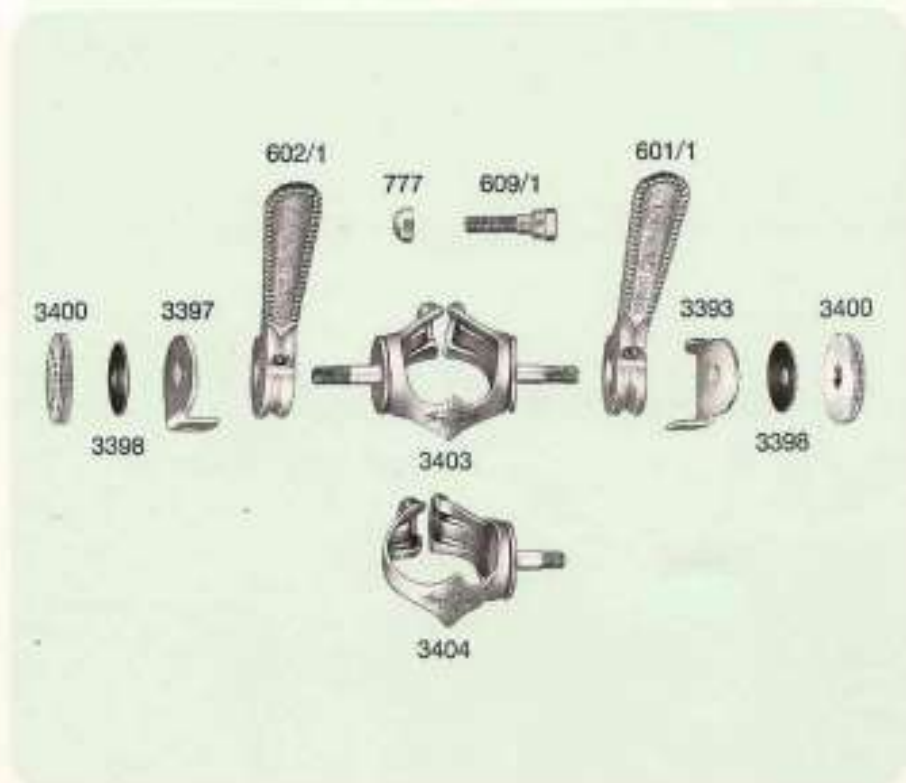
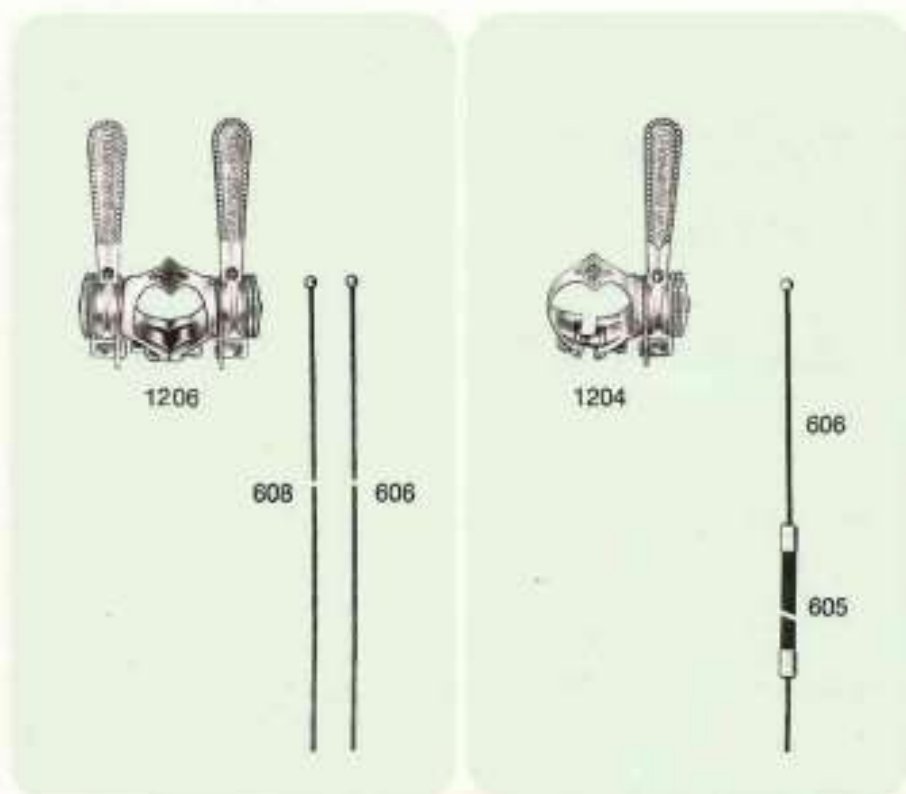
2170

- 2170 Valentino Extra gear with hanger
- 80/A Gear fixing plate
- 89 Locking screw
- 124 Fixing screw
- 780 Cable clamp bolt washer
- 914 Clamp nut
- 926 Inner cage plate
- 930/B Roller
- 931/B Roller bush
- 932/A Roller dust cover
- 933 Roller bolt
- 2151 Spring cage
- 2152 Outer cage plate
- 2153/A Spring cage bolt
- 2154 Cover
- 2155 Gear tension spring
- 2156/A Front arm
- 2157/A Inner arm
- 2158 Gear fixing lock nut
- 2159 Gear hanger bolt
- 2159/A Nylon washer (for gear fixing plate to Record and Sport fork end)
- 2160 Spring cage bush
- 2161 Upper body
- 2205/A Fixing pivot bolt
- 2205/B Upper body bolt (for gear fixing plate to Record fork end)
- 2209 Gear return spring
- 2210/A Return spring spindle
- 2211/A Spindle
- 2213/A Arm rivets
- 2214 Spring washer
- 2215/A Gear adjusting screw
- 2217 Adjusting bolt spring



PARTICULAR COMPONENTS OF VALENTINO EXTRA GROUP

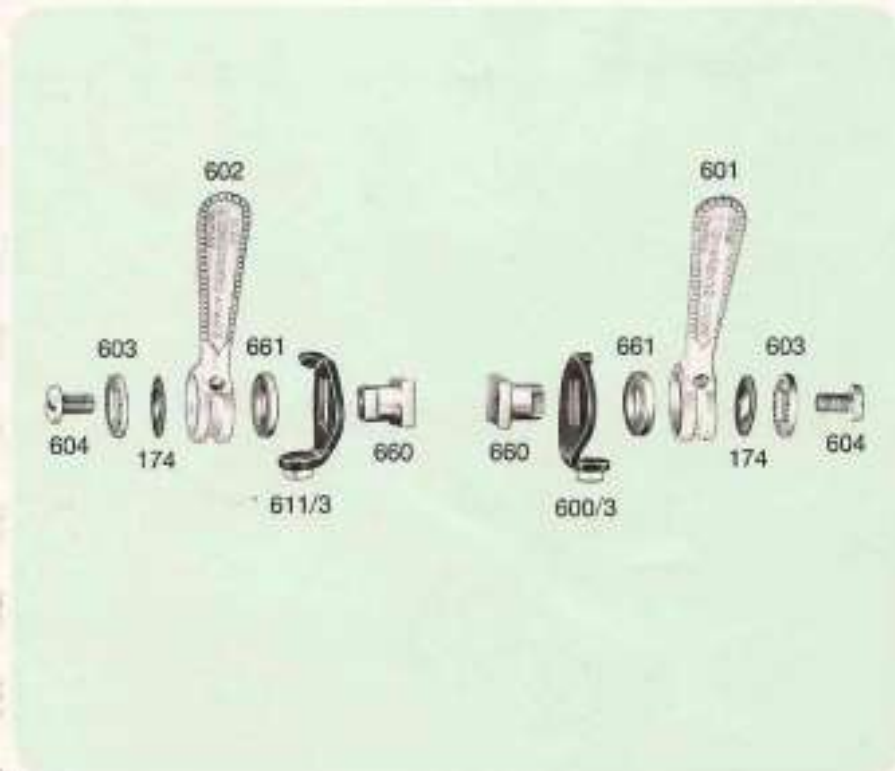
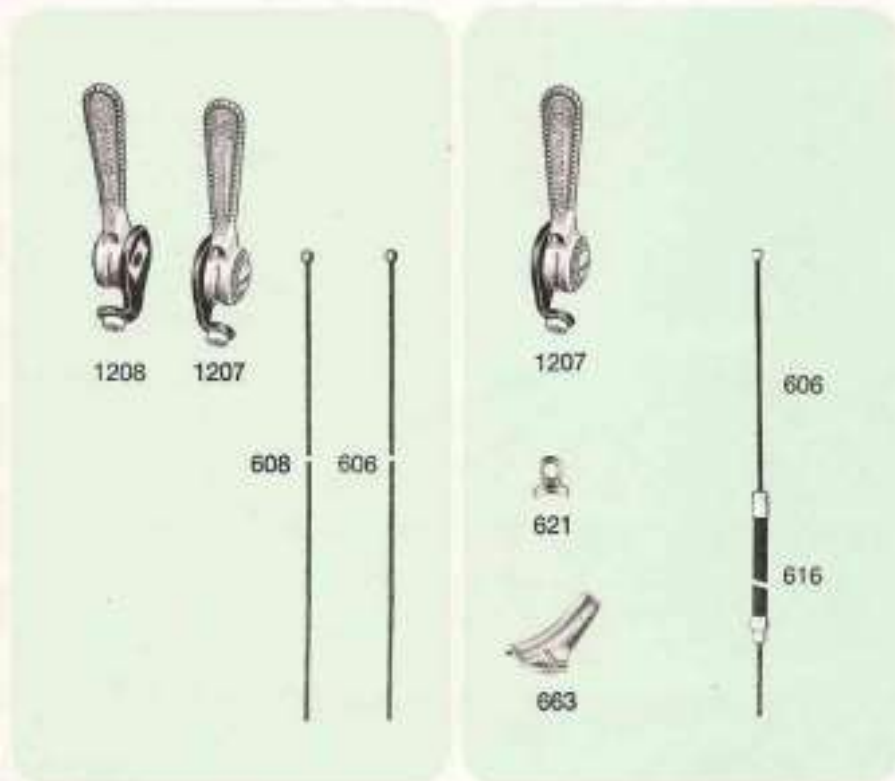
- 1204 Valentino right hand down tube control lever
- 1206 Valentino twin control lever
- 1207 Braze-on gear control
- 1208 Braze-on front changer control
- 174 Friction plate
- 600/3 Right hand braze-on control lever plate with ferrule



- 601 Right hand control lever only
- 601/1 Right hand control lever only
- 602 Left hand control lever only
- 602/1 Left hand control lever only
- 603 Cover plate
- 604 Friction adjusting screw
- 605 Gear outer casing (105 cm.)
- 606 Down tube control gear inner wire (115 cm.)

- 608 Down tube control front changer inner wire (72 cm.)
- 609/1 Fixing clip bolt
- 611/3 Left hand braze-on control lever plate
- 616 Gear viala outer casing (23 cm.)
- 621 Braze-on cable stop
- 660 Braze-on boss
- 661 Brazed boss collar

- 663 Braze-on cable ferrule
- 777 Nut
- 3393 Right hand toothed washer
- 3397 Left hand toothed washer
- 3396 Elastic washer
- 3400 Toothed nut for Valentino lever
- 3403 Valentino twin control lever clip
- 3404 Valentino right hand lever clip



PARTICULAR COMPONENTS OF VALENTINO EXTRA GROUP

- 2050 Front changer
- 89 Clamp washer
- 210 Body clip bolt
- 211 Body fixing clip
- 213 Fork fixing bolt
- 214 Fork cage
- 217 Nut
- 226 Adjusting bolt spring
- 227 Adjusting lever screw
- 780 Cable clamp bolt washer
- 1601 Front changer body
- 1602 Control fork
- 1603 Spindle
- 1604 Front changer return spring
- 1605 Bolt



2050



RECORD CHAINWHEEL SETS WITH BOTTOM
BRACKET SET FOR TRIPLE CHAINRING

pages 72-73-74-75

RECORD CHAINWHEEL SET WITH BOTTOM
BRACKET SET FOR CYCLOCROSS

pages 76-77

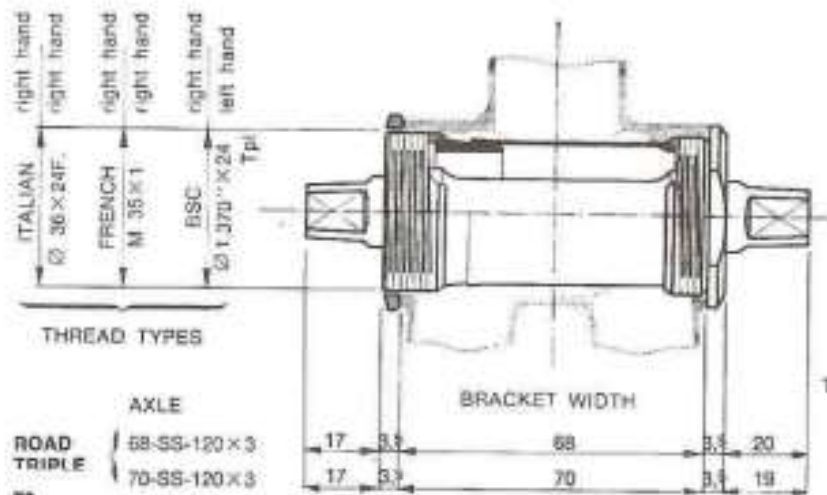
RALLY GEAR FOR LARGE RATIOS

page 78

1048/3 CAMPAGNOLO SPECIAL RECORD CHAINWHEEL SET WITH BOTTOM BRACKET SET FOR TRIPLE CHAINRING

- 1046** Record bottom bracket set (with spindle 65-P-110 and cups threaded $\varnothing 36 \times 24F.$). Upon request is furnished the bracket safety sleeve ref. 2110 - 2110/1. See page 81
- 1049/3** Record road chainset for normal triple chainring (with cranks 170 mm., pedal hole $\varnothing 9/16" \times 20F.$ and chainrings for chain $1/2" \times 3/32"$ [2 mm.]). Specify the number of teeth of the 3 chainrings available from 42T to 57T. Upon request

1048/3



Details of bracket number:

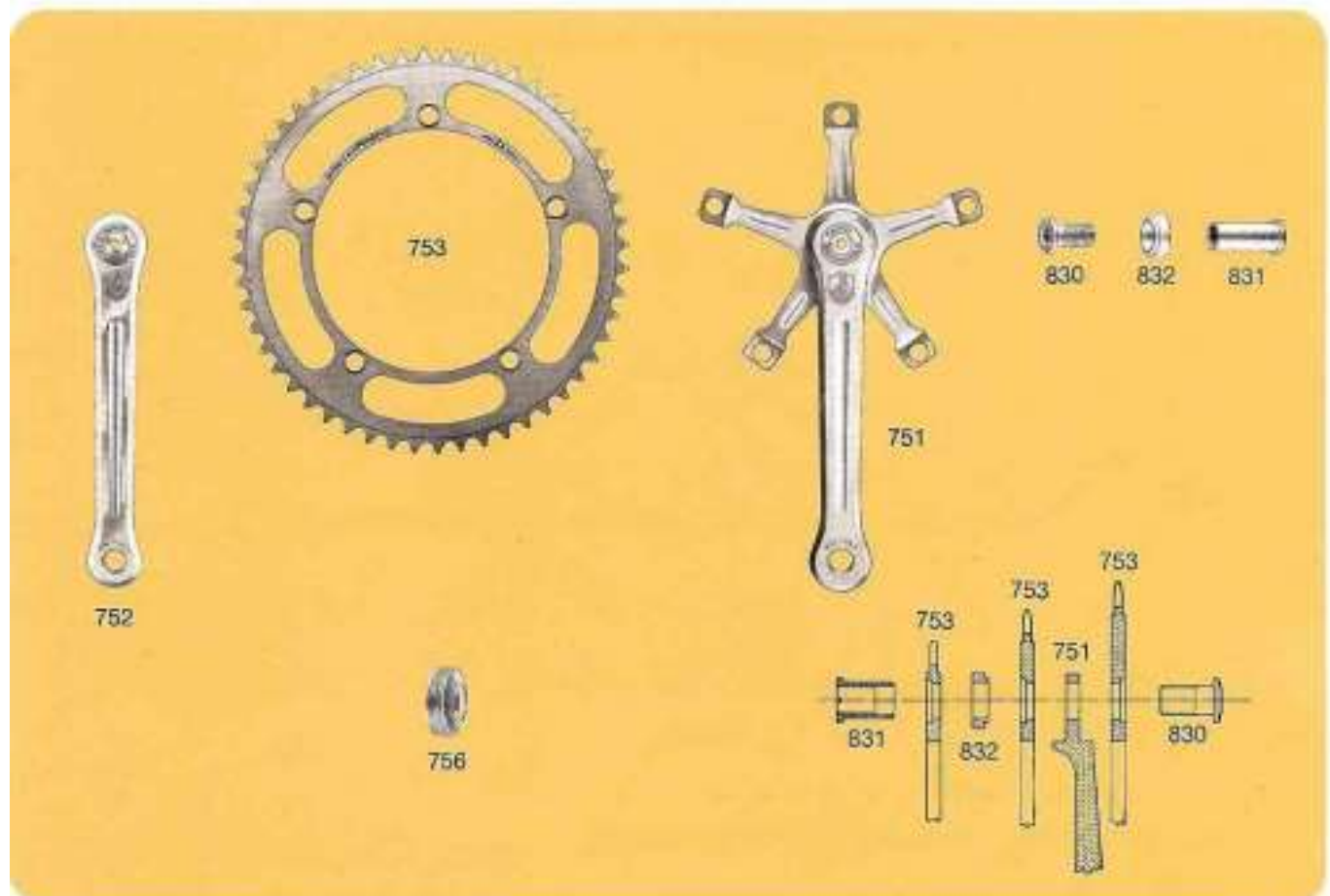
- The first number indicates the bracket width
- P indicates track
- SS indicates road
- C indicates cross
- Number 110 or 120 indicates the suggested width of the rear hub for a perfect chain alignment (see pages 92-93)

UPON REQUEST WE SUPPLY THE CUPS WITH THREAD INCREASED BY 0,5 mm.

744/1 furnished cranks with lengths 165 - 167,5 - - 172,5 - 175 - 177,5 and 180 mm.
 Triple chainring cotterless spindle. See measurements and indicate spindle size
 745 Fixed cup.
 Indicate required thread
 746 Adjustable cup.
 Indicate required thread
 747 Lockring with normal 3,5 mm, thickness (available also with 4 mm. and 4,5 mm. thickness)
 Indicate required thread

748 Fixing screw
 749 Fixing washer
 751 Right hand road crank (complete with cover 756, 170 mm. long). Upon request are furnished the following sizes: 165 - 167,5 - 172,5 - 175 - 177,5 and 180 mm. long
 752 Left hand road crank complete with cover 756, 170 mm. long). Upon request are furnished the following sizes: 165 - 167,5 - 172,5 - 175 - 177,5 and 180 mm. long

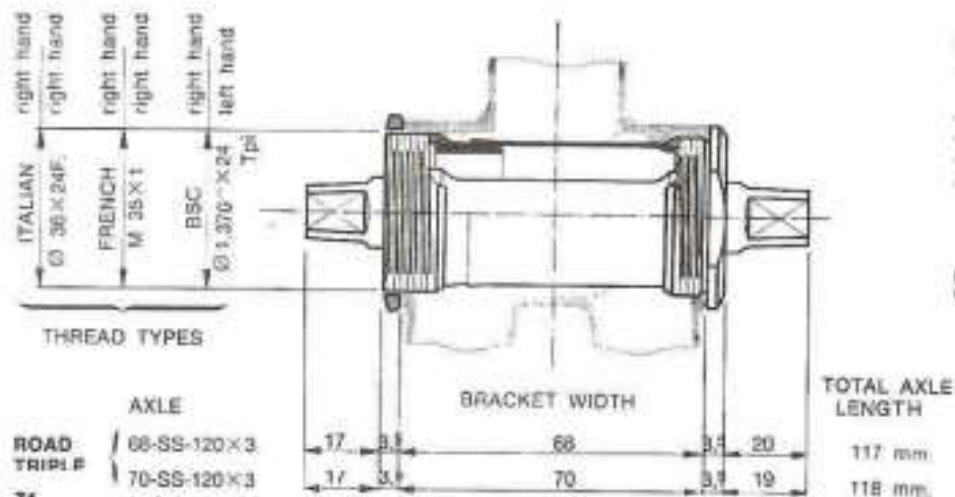
753 Road chainring for 1/2" x 3/32" (2 mm). chain. Specify the number of teeth available from 42T to 57T
 756 Crank cover plate
 830 Triple chainring and cyclocross fixing bolt
 831 Nut for bolt 830
 832 Triple chainring and cyclocross spacer
 2100 Set (11+11) special Ø 1/4" balls selected with 1/1000 of mm. tolerance



1048/5 CAMPAGNOLO RECORD CHAINWHEEL SET WITH BOTTOM BRACKET SET FOR TRIPLE CHAINRING

- 1046** Record bottom bracket set (with spindle 66-P-110 and cups threaded $\varnothing 38 \times 24F$). Upon request is furnished the bracket safety sleeve ref. 2110 - 2110/1. See page 81
- 1049/5** Triple Record chainset (with cranks 170 mm., pedal hole $\varnothing 9/16" \times 20F$. and chainrings for chain $1/2" \times 3/32"$ (2 mm) with small ring in 36T only. Specify the number of the other two chainrings available from 42T to 57T

1048/5

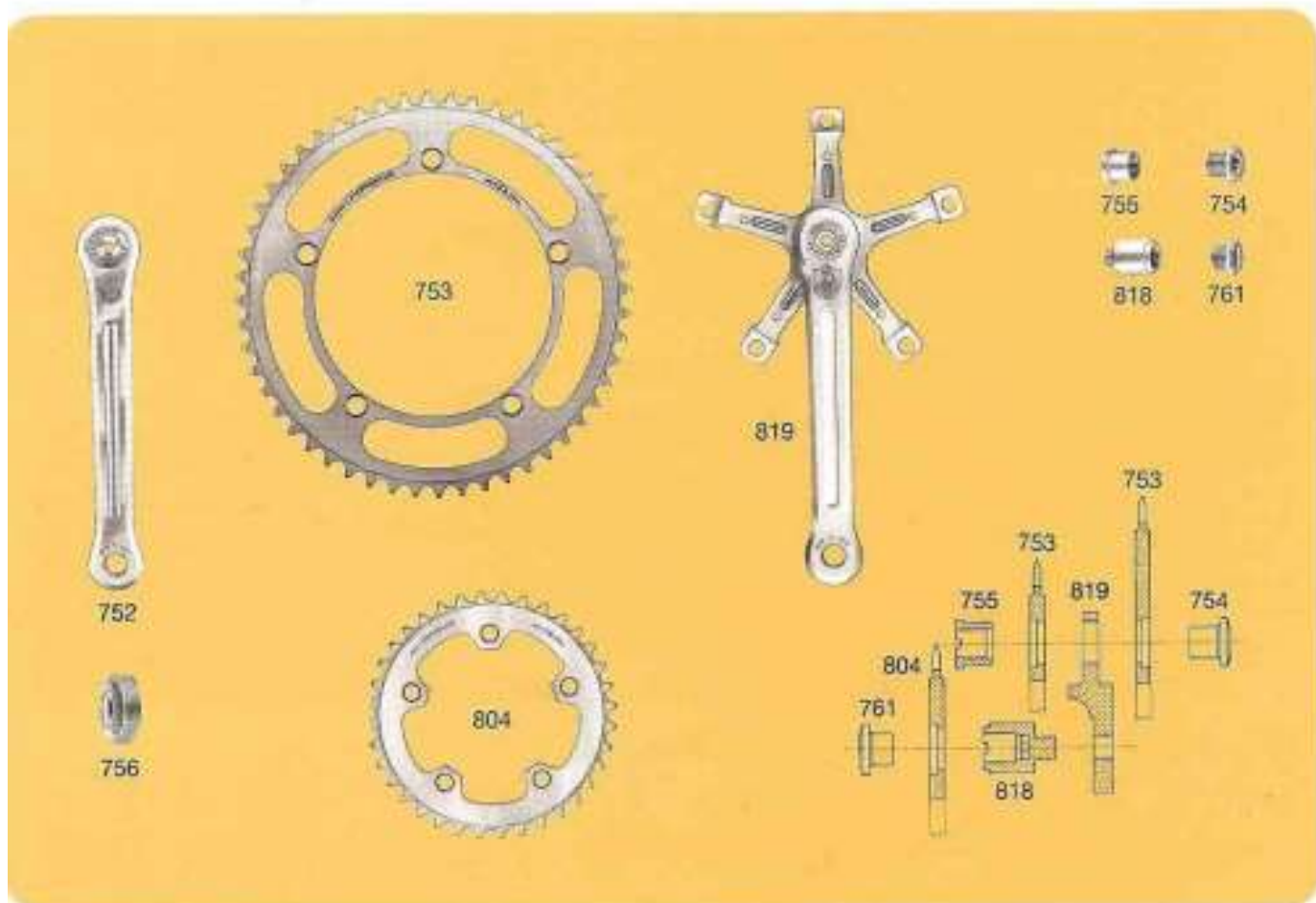


Details of bracket number:

- The first number indicates the bracket width
- P indicates track
- SS indicates road
- C indicates cross
- Number 110 or 120 indicates the suggested width of the rear hub for a perfect chain alignment. (see pages 92-93)

UPON REQUEST WE SUPPLY THE CUPS WITH THREAD INCREASED BY 0,5 mm.

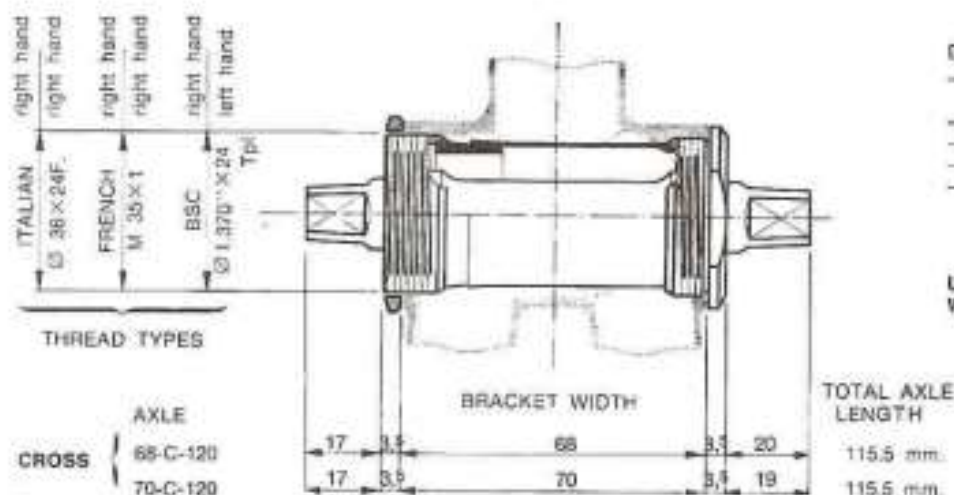
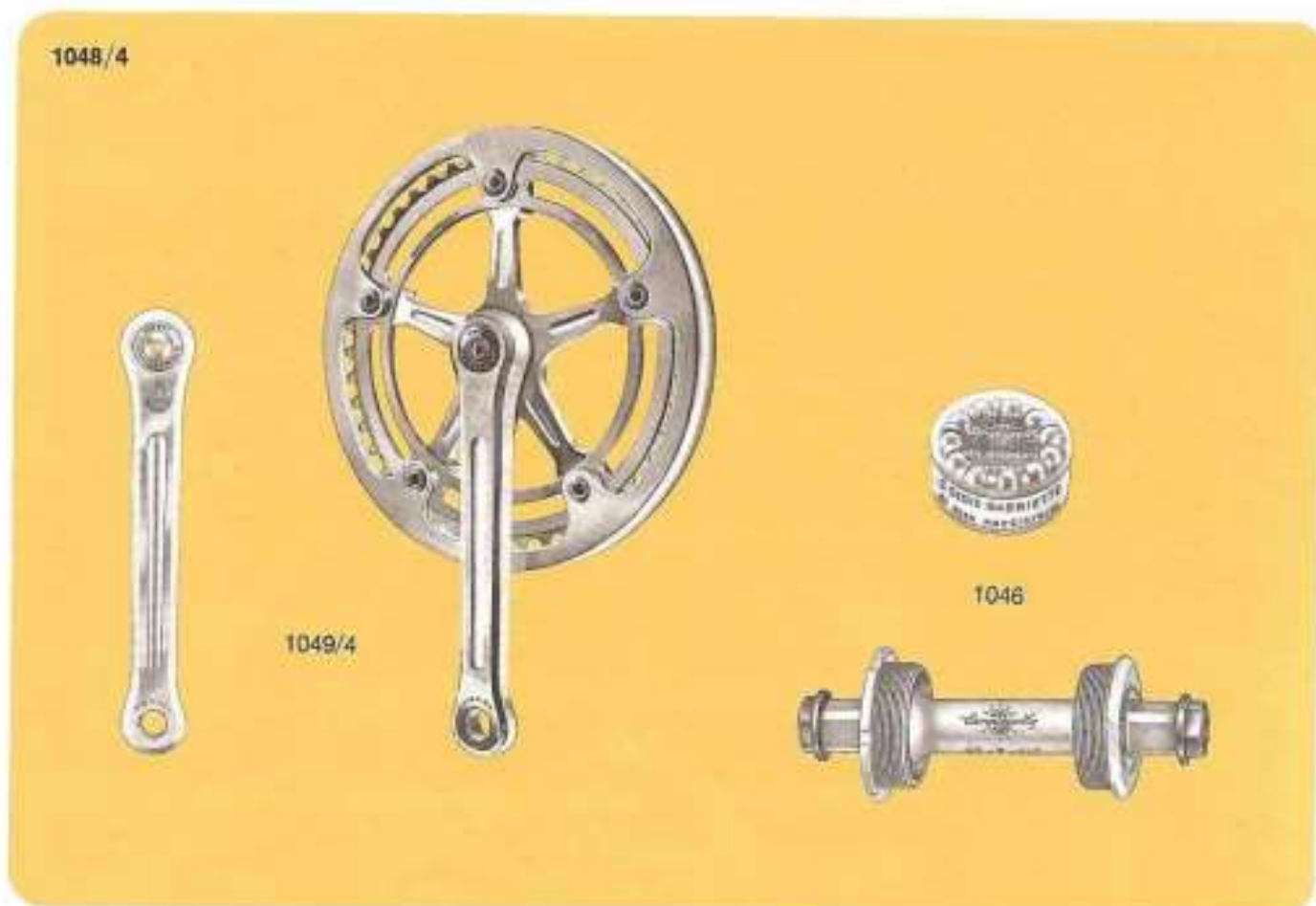
- | | | |
|---|--|--|
| <p>744/1 Triple chainring cotterless spindle. See measurements and indicate spindle size</p> <p>745 Fixed cup.</p> <p>746 Adjustable cup. Indicate required thread</p> <p>747 Lockring with normal 3.5 mm. thickness (available also with 4 mm. and 4.5 mm. thickness) Indicate required thread</p> | <p>748 Fixing screw</p> <p>749 Fixing washer</p> <p>752 Road left hand crank (complete with cover 756, 170 mm. long)</p> <p>753 Road chainring for 1/2" x 3/32" (2 mm.) chain. Specify the number of teeth available from 42T to 57T</p> <p>754 Road chainwheel fastening screw</p> <p>755 Road chainwheel fastening nut</p> <p>756 Crank cover plate</p> | <p>761 Track chainwheel fastening screw</p> <p>804 Chainring for 1/2" x 3/32" (2 mm.) chain with fixed 36 teeth</p> <p>818 Triple chainring spacer</p> <p>819 Right crank for special triple chainring (complete with cover plate 756 - 170 mm. long)</p> <p>2100 Set (11+11) special \varnothing 1/4" balls selected with 1/1000 of mm. tolerance</p> |
|---|--|--|



1048/4 CAMPAGNOLO RECORD CHAINWHEEL SET WITH BOTTOM BRACKET SET FOR CYCLOCROSS

- 1046** Record bottom bracket set (with spindle 65-P-110 and cups threaded $\varnothing 36 \times 24F$). Upon request is furnished the bracket safety sleeve ref. 2110 - 2110/1. See page 81
- 1049/4** Cyclocross Record chainset (with cranks 170 mm., pedal hole $\varnothing 9/16" \times 20F$. and chainring for chain $1/2" \times 3/32"$ [2 mm.]). Specify the number of teeth of the chainrings

- available from 42T to 57T.
Upon request furnished cranks with lengths 165 - 167,5 - 172,5 - 175 - 177,5 and 180 mm.
- 744/2** Cyclocross cotterless spindle. See measurements and indicate spindle size.
- 745** Fixed cup. Indicate required thread
- 746** Adjustable cup. Indicate required thread
- 747** Lockring with normal 3,5 mm.



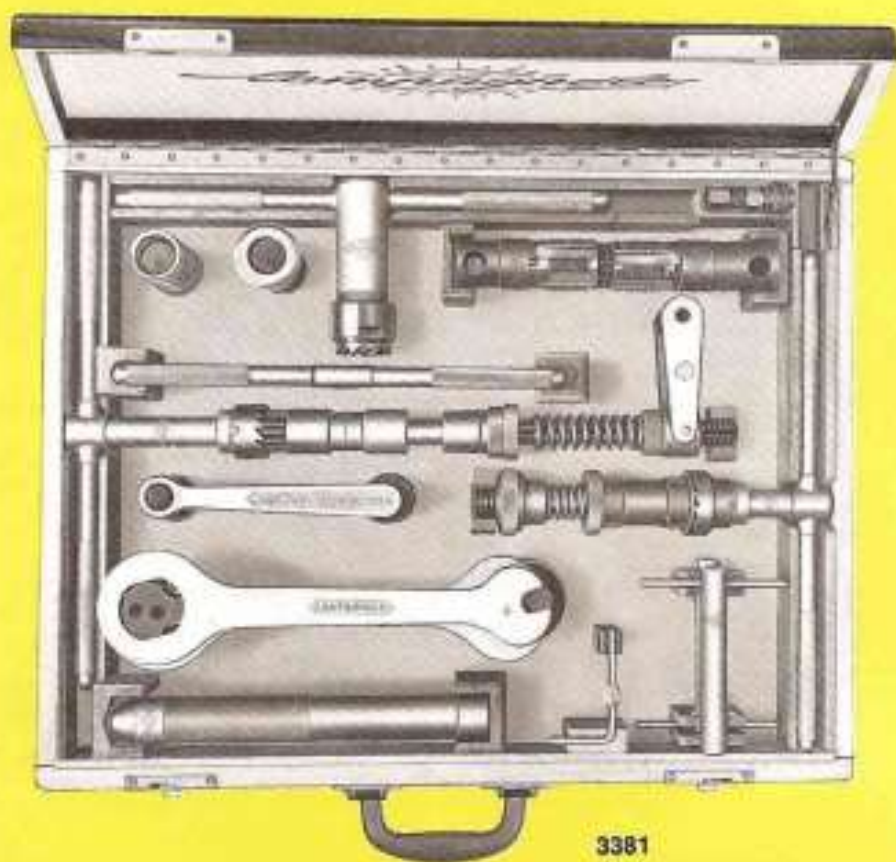
Details of bracket number:

- The first number indicates the bracket width
- P indicates track
- SS indicates road
- C indicates cross
- Number 110 or 120 indicates the suggested width of the rear hub for a perfect chain alignment (see pages 92-93)

UPON REQUEST WE SUPPLY THE CUPS WITH THREAD INCREASED BY 0,5 mm.

3381 CAMPAGNOLO REDUCED TOOL CASE

(USED ONLY FOR THE FITTING OF HEAD SET AND BOTTOM BRACKET SET)



3381



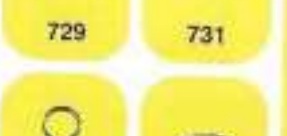
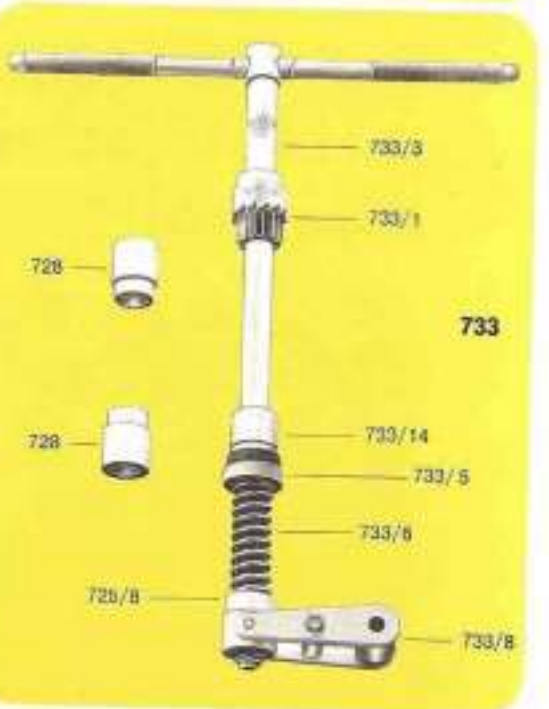
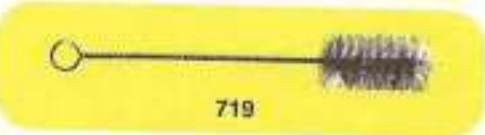
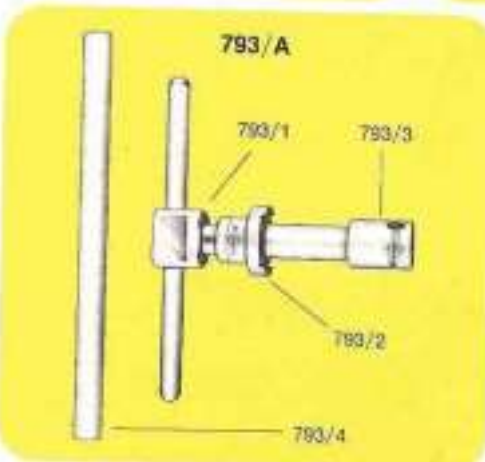
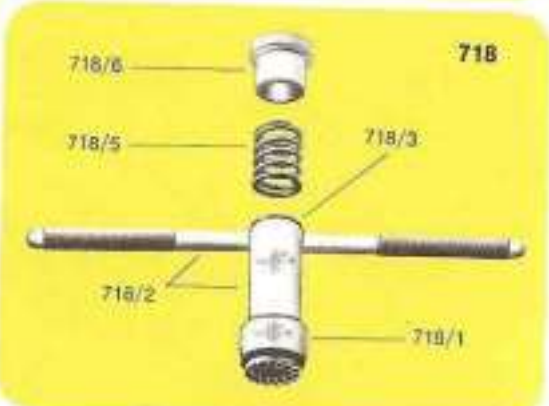
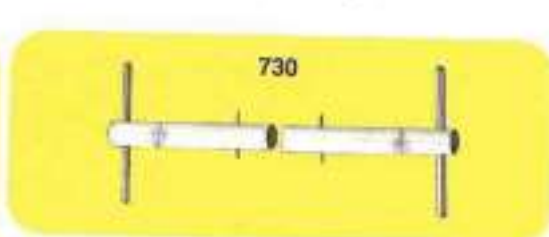
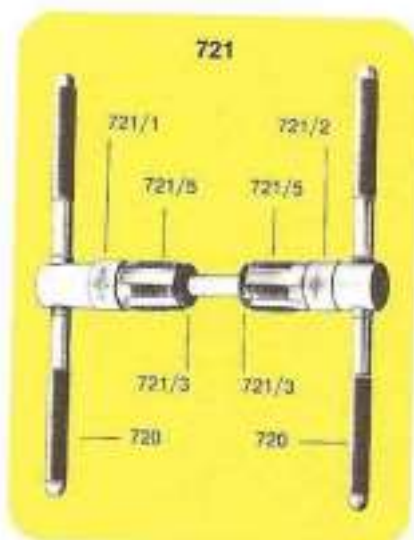
TOOLS CONTAINED IN TOOL CASES 3380 - 3381

P.S. ALL TOOLS MARKED WITH AN ASTERISK (*) ARE THOSE CONTAINED IN THE REDUCED TOOL CASE 3381

- 712 * Bottom bracket locking tool
- 712/1 * Bottom bracket adjusting cup tool
- 712/2 * Spacing spring for 712/1
- 712/3 * Spacing spring for head set tool
- 713 * Bottom bracket fixed cup tool
- 714 * Fork column die (specify size of threading), composed by:

- 714/1 Fork column die (specify size of threading)
- 714/2 Die holder body
- 718 * Crown race cutter, composed by:
- 718/1 * Crown race mill
- 718/2 * Cutter holder with rotation lever
- 718/3 * Guide ring
- 718/5 * Tension spring

- 718/6 * Threaded locking (specify size of threading)
- 719 Brush
- 721 * Bottom bracket double tap (specify size of threading) composed by:
- 720 * Rotation lever
- 721/1 * Tap body with stem
- 721/2 * Tap body with stem guide hole
- 721/3 * Tap locking nut
- 721/5 * Spare tap (specify size of threading)
- 722 * Headset cup punch
- 723 Headset cup remover
- 726 * Bottom bracket face cutter, composed by:

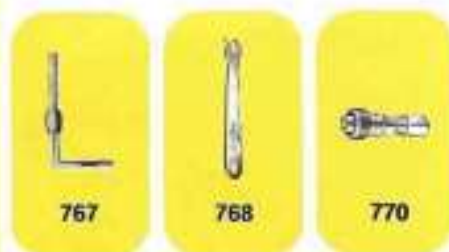
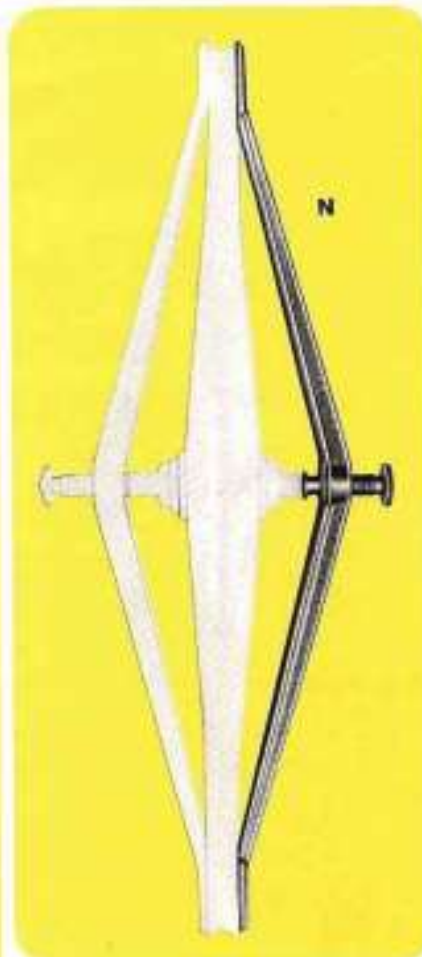
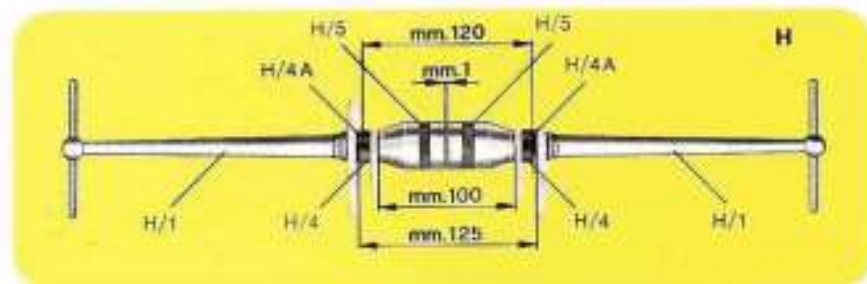


- 724/1 * Inner threaded guide sleeve for cutter 725 (specify size of threading)
- 724/2 * Outer threaded guide sleeve for cutter 725 (specify size of threading)
- 725/1 * Mill
- 725/2 * Cutter holder stem with rotation lever
- 725/3 * Tension spring
- 725/4 * Washer
- 725/7 * Threaded locking
- 725/8 * Toothed washer
- 729 * Fork crown race remover
- 730 * Set of keys for sleeve 724/1 and 724/2

- 731 * Headset jig
- 732 * Fork crown jig
- 733 * Head race mill, composed by:
 - 725/8 * Toothed washer
 - 728 * Sieve for art. 733
 - 733/1 * Head race mill
 - 733/3 * Cutter holder with rotation lever
 - 733/5 * Washer
 - 733/6 * Tension spring
 - 733/8 * Lockring stirrup
 - 733/14 * Centraliser sleeve
- 767 * = L = shaped chainwheel screw alloy key - 5 mm.
- 768 * Chainwheel screw peg spanner
- 769 * Cotterless b/b axle spanner
- 770 * Cotterless crank extractor

- 793/A * Right hand bottom bracket tool, composed by:
 - 793/1 * Tool holder body with rotation lever
 - 793/2 * 36 mm. tool
 - 793/3 * Cutter sleeve
 - 793/4 * Tube for rotation tool
- G * Straight edge for the alignment of the rudder pedals
- H * Back stay tool for the perfect alignment of forks and fork ends, composed by:
 - H/1 * Stam with lever
 - H/4 * Spacer for 120 mm. width
 - H/4A * Additional spacer for 125 mm. width (to match with spacer H/4)
 - H/5 * Cup
- I * 14t. freewheel tool, composed by:
 - 1/2 * Ring nut lever holder
- 704 * Insert for freewheel removing tool fig. 1
- 704/1 * Reducing insert tool fig. 1 for 13t. freewheel. (This tool is furnished only upon specific request)
- N * Wheel dish tool for checking the centering of the rim to the locknuts of hubs
- R * Back stay tool for checking the hanger of the right hand fork end, composed by:
 - R/1 * Screw
 - R/4 * Rotating rod
 - R/6 * Spindle with lever

(follows at page 88)



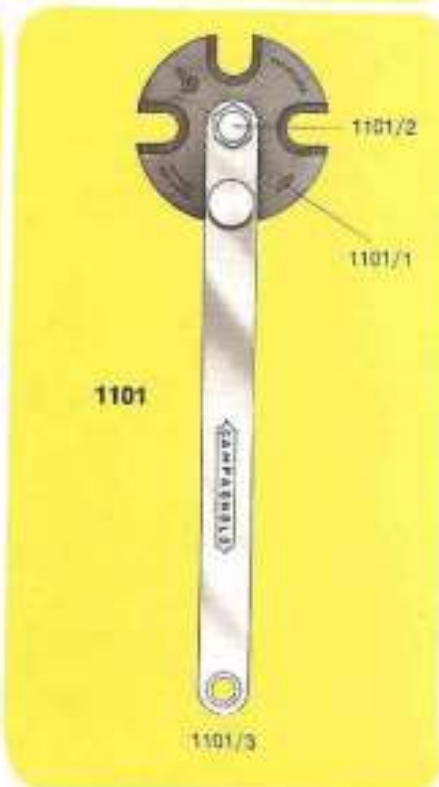
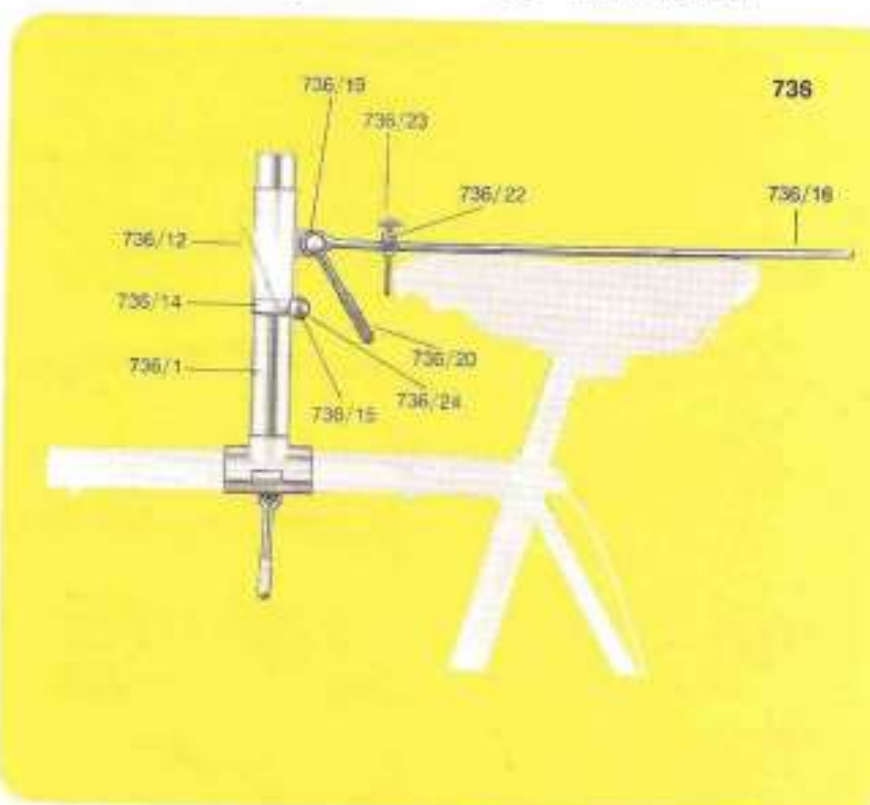
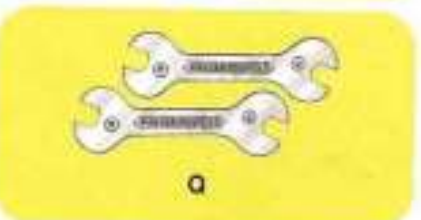
(continues from page 87)

- 143/2 T wrench 6-8 mm.
- 710 Pedal wrench
- 771 Saddle spanner
- 2025 Special brake spanner
- P Axle holding tool
- Q Set of tools for cones and locknuts (13-14 mm.). Upon request the set is furnished with tools 15-16 mm.

CAMPAGNOLO SPECIAL TOOLS

NON CONTAINED IN TOOL CASES 3380 - 3381

- | | |
|---|--|
| <ul style="list-style-type: none"> 705 Pedal tap right hand
Ø 9/16" x 20F. thread 706 Pedal tap left hand
Ø 9/16" x 20F. thread 707 Gear hanger tap Ø 10 x 26F. thread 708 Mudguard eye tap M5 x 0,8 709 Rear end adjuster tap M3 x 0,5 736 Alignment to maintain in position the saddle when replacing the seat pin and the pin, composed by:
736/1 Stanchion with hinge | <ul style="list-style-type: none"> 736/12 Sliding rod holder 736/14 Sliding adjusting clip 736/15 Clip fixing screw 736/16 Saddle positioning rod 736/19 Rod locking screw 736/20 Rod quick release lever 736/22 Saddle positioning plate 736/23 Plate quick release screw 736/24 Clip locking stirrup 1101 Pedal spanner, composed by:
1101/1 Multiple head (15-16-17 mm.)
1101/2 Head locking screw
1101/3 Multiple tool lever |
|---|--|

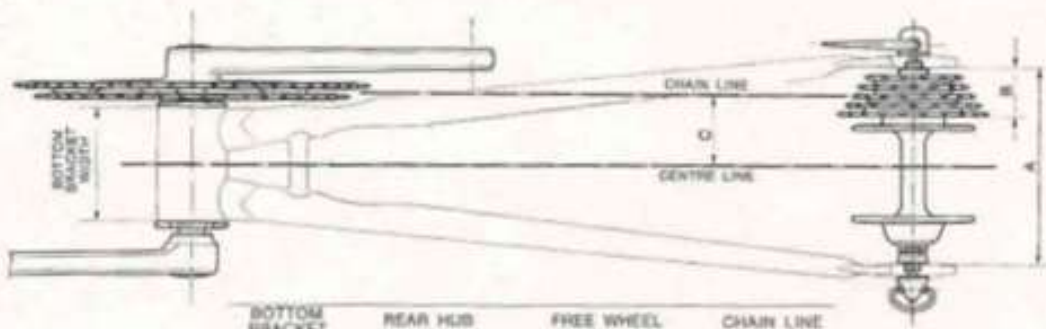


1102 CAMPAGNOLO BICYCLE ASSEMBLING STAND



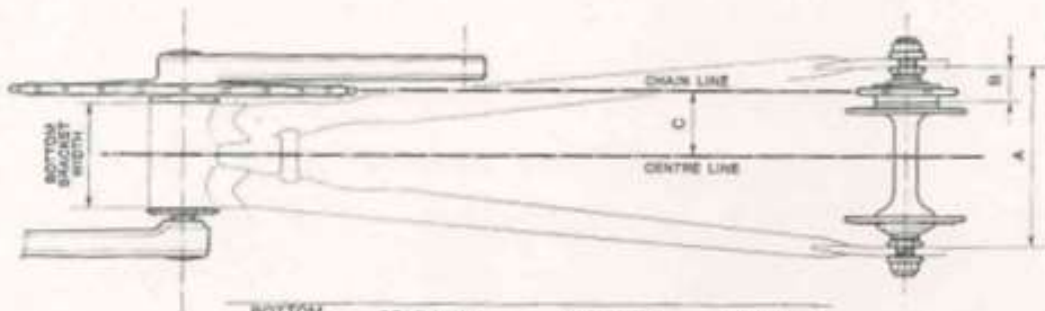
1102

ROAD CHAIN LINE



BOTTOM BRACKET WIDTH	REAR HUB WIDTH - A -	FREE WHEEL WIDTH - B -	CHAIN LINE - C -
68	120	29	43,5
70	120	29	43,5
74	120	29	43,5

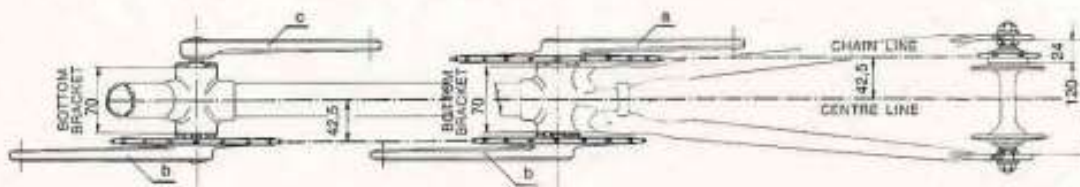
TRACK CHAIN LINE



BOTTOM BRACKET WIDTH	REAR HUB WIDTH - A -	SPROCKET WIDTH - B -	CHAIN LINE - C -
68	110	21,5	40
68	110	21,5	40
68	120	24	42,5
70	120	24	42,5

92

TANDEM CHAIN LINE



- a TRACK RIGHT HAND STANDARD CRANK
- b TRACK RIGHT HAND CRANK WITH LEFT HAND THREAD
- c TRACK LEFT HAND CRANK WITH RIGHT HAND THREAD

GEAR TABLES

Development in metres for a complete turn of cranks

$$\text{Ratio} = \frac{\text{Number of teeth on chainring}}{\text{Number of teeth on sprocket}} \times \text{diameter of wheel } 670$$

Number of teeth on sprocket	Number of teeth on chainring														
	6	7	8	9	10	11	12	13	6	7	8	9	10	11	12
	12	13	14	15	16	17	18	19	20	21	22	23	24	25	26
20 o 40	7,01	6,47	6,01	5,61	5,26	4,95	4,67	4,42	4,20	4,00	3,82	3,66	3,50	3,36	3,23
41	7,19	6,63	6,16	5,75	5,39	5,07	4,79	4,53	4,31	4,10	3,92	3,75	3,59	3,44	3,31
21 o 42	7,36	6,79	6,31	5,89	5,52	5,19	4,90	4,65	4,41	4,20	4,01	3,84	3,68	3,53	3,39
43	7,54	6,96	6,46	6,03	5,65	5,32	5,02	4,76	4,52	4,30	4,11	3,93	3,77	3,61	3,47
22 o 44	7,71	7,12	6,61	6,17	5,78	5,44	5,14	4,87	4,63	4,40	4,20	4,02	3,85	3,70	3,56
45	7,89	7,28	6,76	6,31	5,91	5,57	5,26	4,98	4,73	4,50	4,30	4,11	3,94	3,78	3,64
23 o 46	8,06	7,44	6,91	6,45	6,04	5,69	5,37	5,09	4,84	4,60	4,39	4,21	4,03	3,86	3,72
47	8,24	7,60	7,06	6,59	6,18	5,81	5,49	5,20	4,94	4,70	4,49	4,30	4,12	3,95	3,80
24 o 48	8,42	7,77	7,21	6,73	6,31	5,94	5,61	5,31	5,05	4,80	4,59	4,39	4,20	4,03	3,88
49	8,59	7,93	7,36	6,87	6,44	6,06	5,72	5,42	5,15	4,91	4,68	4,48	4,29	4,12	3,96
25 o 50	8,77	8,09	7,51	7,01	6,57	6,19	5,84	5,53	5,26	5,01	4,78	4,57	4,38	4,20	4,04
51	8,94	8,25	7,66	7,15	6,70	6,31	5,96	5,64	5,36	5,11	4,87	4,66	4,47	4,28	4,12
26 o 52	9,12	8,41	7,81	7,29	6,83	6,43	6,07	5,75	5,47	5,21	4,97	4,75	4,56	4,37	4,20
53	9,29	8,58	7,96	7,43	6,96	6,56	6,19	5,86	5,57	5,31	5,06	4,84	4,62	4,45	4,28
27 o 54	9,47	8,74	8,11	7,57	7,10	6,68	6,31	5,97	5,68	5,41	5,16	4,94	4,73	4,54	4,36
55	9,64	8,90	8,26	7,71	7,23	6,80	6,42	6,08	5,78	5,51	5,25	5,03	4,82	4,62	4,45
28 o 56	9,82	9,06	8,41	7,85	7,36	6,93	6,54	6,19	5,89	5,61	5,35	5,12	4,91	4,70	4,53

$$\text{Ratio} = \frac{\text{Number of teeth on chainring}}{\text{Number of teeth on sprocket}} \times \text{diameter of wheel } 680$$

Number of teeth on sprocket	Number of teeth on chainring														
	6	7	8	9	10	11	12	13	6	7	8	9	10	11	12
	12	13	14	15	16	17	18	19	20	21	22	23	24	25	26
20 o 40	7,12	6,57	6,10	5,69	5,34	5,02	4,74	4,50	4,27	4,07	3,88	3,71	3,56	3,42	3,28
41	7,30	6,73	6,25	5,84	5,47	5,15	4,86	4,60	4,37	4,17	3,98	3,80	3,64	3,50	3,36
21 o 42	7,47	6,90	6,40	5,98	5,60	5,27	4,98	4,72	4,48	4,27	4,07	3,90	3,73	3,58	3,45
43	7,65	7,06	6,56	6,12	5,74	5,40	5,10	4,83	4,59	4,37	4,17	3,99	3,82	3,67	3,53
22 o 44	7,83	7,23	6,71	6,26	5,87	5,52	5,22	4,94	4,70	4,47	4,27	4,08	3,91	3,76	3,61
45	8,01	7,39	6,86	6,40	6,00	5,65	5,34	5,05	4,80	4,57	4,37	4,18	4,00	3,84	3,69
23 o 46	8,18	7,55	7,01	6,55	6,14	5,78	5,45	5,17	4,91	4,67	4,46	4,27	4,09	3,93	3,78
47	8,36	7,72	7,17	6,69	6,27	5,90	5,57	5,28	5,02	4,78	4,56	4,36	4,18	4,01	3,86
24 o 48	8,54	7,88	7,32	6,83	6,40	6,03	5,69	5,39	5,12	4,88	4,66	4,45	4,27	4,10	3,94
49	8,72	8,05	7,47	6,97	6,54	6,15	5,81	5,50	5,23	4,98	4,75	4,55	4,36	4,18	4,02
25 o 50	8,90	8,21	7,63	7,12	6,67	6,28	5,93	5,62	5,34	5,08	4,85	4,64	4,45	4,27	4,10
51	9,07	8,38	7,78	7,26	6,81	6,40	6,05	5,73	5,44	5,18	4,95	4,73	4,54	4,35	4,19
26 o 52	9,25	8,54	7,93	7,40	6,94	6,53	6,17	5,84	5,55	5,29	5,04	4,83	4,62	4,44	4,27
53	9,43	8,70	8,08	7,54	7,07	6,66	6,29	5,95	5,66	5,39	5,14	4,92	4,71	4,52	4,35
27 o 54	9,61	8,87	8,23	7,69	7,20	6,78	6,40	6,07	5,76	5,49	5,24	5,01	4,80	4,61	4,43
55	9,79	9,03	8,36	7,81	7,31	6,87	6,49	6,16	5,83	5,59	5,33	5,10	4,89	4,69	4,51
28 o 56	9,97	9,20	8,54	7,97	7,47	7,03	6,64	6,29	5,98	5,69	5,43	5,20	4,98	4,78	4,60

$$\text{Ratio} = \frac{\text{Number of teeth on chainring}}{\text{Number of teeth on sprocket}} \times \text{diameter of wheel } 690$$

Number of teeth on sprocket	Number of teeth on chainring															
	6		7		8		9		10		11		12		13	
	12	13	14	15	16	17	18	19	20	21	22	23	24	25	26	
20 o 40	7,22	6,67	6,19	5,78	5,41	5,09	4,81	4,56	4,33	4,12	3,94	3,76	3,61	3,46	3,33	
41	7,40	6,83	6,34	5,92	5,55	5,22	4,93	4,67	4,44	4,23	4,03	3,86	3,70	3,55	3,41	
21 o 42	7,58	7,00	6,50	6,07	5,68	5,35	5,05	4,79	4,54	4,33	4,13	3,95	3,79	3,64	3,49	
43	7,76	7,16	6,65	6,21	5,82	5,47	5,17	4,90	4,65	4,43	4,23	4,05	3,88	3,72	3,58	
22 o 44	7,94	7,33	6,81	6,35	5,95	5,60	5,29	5,01	4,76	4,54	4,33	4,14	3,97	3,81	3,66	
45	8,12	7,50	6,96	6,50	6,09	5,73	5,41	5,13	4,87	4,64	4,43	4,24	4,06	3,90	3,74	
23 o 46	8,31	7,67	7,12	6,64	6,22	5,86	5,53	5,24	4,98	4,74	4,53	4,33	4,15	3,98	3,83	
47	8,49	7,83	7,27	6,79	6,36	5,98	5,65	5,35	5,09	4,85	4,63	4,42	4,24	4,07	3,91	
24 o 48	8,67	8,00	7,43	6,93	6,49	6,11	5,78	5,47	5,20	4,95	4,72	4,52	4,33	4,16	3,99	
49	8,85	8,16	7,58	7,08	6,63	6,24	5,90	5,58	5,30	5,05	4,82	4,61	4,42	4,24	4,08	
25 o 50	9,03	8,33	7,74	7,22	6,76	6,37	6,02	5,70	5,41	5,18	4,92	4,71	4,51	4,33	4,16	
51	9,21	8,50	7,89	7,37	6,90	6,50	6,14	5,81	5,52	5,26	5,02	4,80	4,60	4,42	4,24	
26 o 52	9,39	8,66	8,05	7,51	7,03	6,62	6,26	5,92	5,63	5,36	5,12	4,89	4,69	4,50	4,33	
53	9,57	8,83	8,20	7,65	7,17	6,75	6,38	6,04	5,74	5,47	5,22	4,99	4,78	4,59	4,41	
27 o 54	9,75	9,00	8,35	7,80	7,30	6,88	6,50	6,15	5,85	5,57	5,31	5,08	4,87	4,68	4,49	
55	9,93	9,16	8,51	79,4	7,44	7,00	6,62	6,27	5,95	5,67	5,41	5,18	4,96	4,76	4,58	
28 o 56	10,11	9,33	8,66	8,09	7,57	7,13	6,74	6,38	6,06	5,77	5,51	5,27	5,05	4,85	4,66	

GEAR TABLE 27" WHEELS

	36	38	40	42	44	45	46	47	48	49	50	51	52	54
12	81.0	85.5	90.0	94.5	99.0	101.2	103.5	105.0	108.0	110.3	112.5	114.7	117.0	121.5
13	74.7	78.9	83.1	87.2	91.4	93.4	95.5	97.6	99.7	101.8	103.8	105.9	108.0	112.1
14	69.4	73.3	77.1	81.0	84.8	86.7	88.7	90.6	92.6	94.5	96.4	98.3	100.3	104.1
15	64.8	68.4	72.0	75.6	79.2	80.9	82.8	84.6	86.4	88.2	90.0	91.8	93.6	97.2
16	60.8	64.1	67.5	70.9	74.2	76.0	77.6	79.3	81.0	82.7	84.4	86.1	87.7	91.1
17	57.2	60.3	63.5	66.7	69.9	71.5	73.0	74.6	76.2	77.8	79.4	81.0	82.6	85.7
18	54.0	57.0	60.0	63.0	66.0	67.5	69.0	70.5	72.0	73.5	75.0	76.5	78.0	81.0
19	51.2	54.0	56.8	59.7	62.5	64.0	65.4	66.8	68.2	69.6	71.0	72.5	73.9	76.7
20	48.6	51.3	54.0	56.7	59.4	60.8	62.1	63.4	64.8	66.1	67.5	68.8	70.2	72.9
21	46.3	48.9	51.4	54.0	56.6	57.9	59.1	60.4	61.7	63.0	64.3	65.5	66.8	69.4
22	44.2	46.6	49.1	51.5	54.0	55.2	56.4	57.7	58.9	60.1	61.4	62.6	63.8	66.2
23	42.3	44.6	47.0	49.3	51.6	52.8	54.0	55.2	56.3	57.5	58.7	59.9	61.0	63.4
24	40.5	42.7	45.0	47.2	49.5	50.7	51.7	52.9	54.0	55.1	56.2	57.3	58.5	60.7
25	38.9	41.1	43.2	45.4	47.5	48.6	49.7	50.8	51.8	52.9	54.0	55.1	56.2	58.3
26	37.4	39.5	41.5	43.6	45.7	46.7	47.8	48.8	49.8	50.9	51.9	53.7	54.0	56.1

GEAR RATIOS NOT SHOWN ABOVE MAY BE CALCULATED AS FOLLOWS

$$\text{GEAR} = \frac{\text{Number of teeth on C/ring}}{\text{Number of teeth on Sprocket}} \times \text{Diameter of rear wheel in inches}$$

TRACK GEAR TABLES

• Development in metres for a complete turn of cranks.

• Gear = $\frac{\text{number of teeth on chainring}}{\text{number of teeth on sprocket}} \times \text{diameter rear wheel in inches}$

Number of teeth on sprocket	Number of teeth on chainring															
	28		29		30		31		32		33		34		35	
	55	56	57	58	59	60	61	62	63	64	65	66	67	68	69	70
8 o 12	• m. 9,97	m. 10,04	m. 10,22	m. 10,40	m. 10,58	m. 10,76	m. 10,94	m. 11,12	m. 11,30	m. 11,48	m. 11,66	m. 11,84	m. 12,02	m. 12,20	m. 12,38	m. 12,56
	• 129.7	130.0	128.2	130.5	132.7	135.0	137.2	139.5	141.7	144.0	146.3	148.5	150.7	153.0	155.2	157.5
13	• m. 9,11	m. 9,27	m. 9,44	m. 9,60	m. 9,77	m. 9,93	m. 10,10	m. 10,27	m. 10,43	m. 10,60	m. 10,76	m. 10,93	m. 11,09	m. 11,26	m. 11,43	m. 11,60
	• 114.2	116.3	118.4	120.5	122.6	124.6	126.7	128.8	130.8	132.9	135.0	137.1	139.1	141.2	143.3	145.4
14 o 14	• m. 8,46	m. 8,61	m. 8,76	m. 8,92	m. 9,07	m. 9,22	m. 9,38	m. 9,53	m. 9,69	m. 9,84	m. 9,99	m. 10,15	m. 10,30	m. 10,46	m. 10,61	m. 10,76
	• 106.0	106.0	106.9	108.8	110.8	112.7	114.6	116.5	118.5	120.4	122.3	124.3	126.2	128.1	130.0	132.0
15	• m. 7,89	m. 8,04	m. 8,19	m. 8,34	m. 8,47	m. 8,61	m. 8,75	m. 8,90	m. 9,04	m. 9,19	m. 9,33	m. 9,47	m. 9,62	m. 9,76	m. 9,90	m. 10,05
	• 99.0	100.8	102.6	104.4	106.2	108.0	109.8	111.6	113.4	115.2	117.0	118.8	120.6	122.4	124.2	126.0
8 o 16	• m. 7,48	m. 7,53	m. 7,57	m. 7,62	m. 7,66	m. 7,71	m. 7,75	m. 7,80	m. 7,84	m. 7,89	m. 7,93	m. 7,98	m. 8,02	m. 8,07	m. 8,11	m. 8,16
	• 92.8	94.5	96.2	97.9	99.5	101.2	102.9	104.6	106.3	108.0	109.7	111.4	113.0	114.7	116.4	118.1