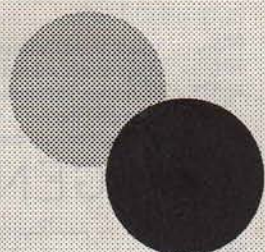


**F
R
A
M
E
B
U
I
L
D
I
N
G**

**TOOLS
PAINT**

ETC.



**PRICE LIST
JUNE 1994**

CEEWAY MARKETING .

90 Belvedere Road, Bexleyheath, Kent DA7 4PF

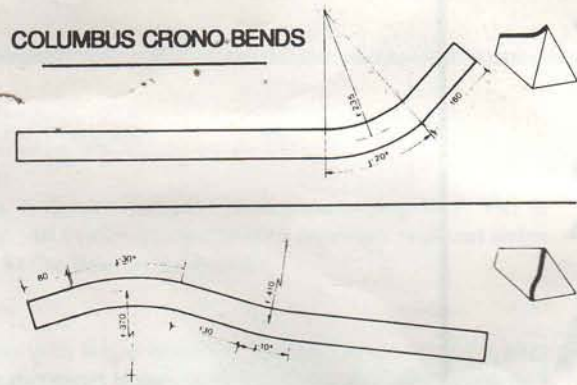
Warehouse: For Pick-Up Only.
c/o V.I. Components Industrial Estate
West Street, Erith, Kent. DA8 1AA. England.

Telephone: 0322-442990
Fax: 0322-442886

INDEX TO CONTENTS

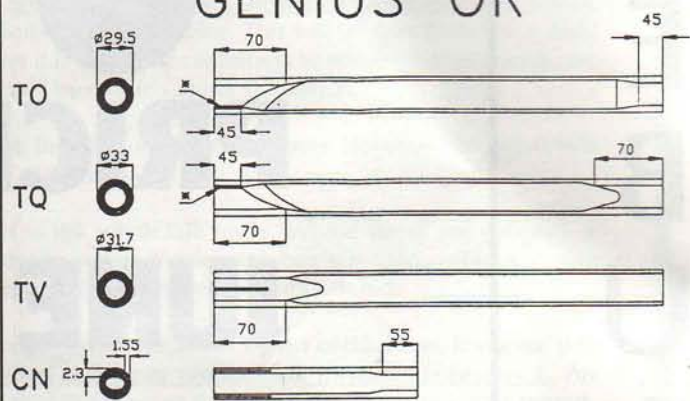
Part Type	Page number
Alignment Table	25
Aluminium Tubes/Parts	3, 4, 20
Bicisupport Equipment (Buzzi)	25 to 29
Bicycle Stands	25 to 29
Bosses	21
Bottom Brackets	34
Bottom Bracket Shells/Sleeves	8, 9, 19
Brake Wire	24
Brake Cables	24
Brake Pivots	21, 20
Bridges	19, 20
Cable Stops	22, 20
Cable Guides	22, 19, 20
Cable Tunnels	22
Cables	24
Cantilever Boss	21, 20
Carded Tools	36
Chromed items	23, 7
Columbus Tubing	3 to 6
Cutters	31 to 35
Decals	30
Discounts	6, 26, 48
Display Equipment	25 to 29
Ferrules	24
Fork Crowns/Steerer Collars	10, 11
Forks (Complete)	6, 7
Frame Ends	16 to 20
Frame Spacer	23
Frame End Adjusters	21, 16
Gear Wire	24
Grease	31, 34
Guides	22, 19, 20
Handlebar Tape	25
Handlebar Plugs	25
Headsets	34
High Speed Steel Tools	31 to 35, 38
Lubricant for cutting	31, 34
Lugs/Seat Clamps	12 to 15
Other Items	25, 23
Paint	30
Paint Stencils	30
Paint Masks	30
Paint Plugs	21, 23
Reinforcements	21
Repair Stands	25 to 29
Screws	21
Seat Pin (Air)	5
Shop Display Stands	25 to 29
Stands	25 to 29
Steering Columns	3 to 5, 7
Stops	22, 20
Sundries	23, 25
Supports	21, 25 to 29
Suspension Forks	7
Tandem Tubing/Parts	4, 5, 8, 10, 12, 24
Tange Forks	7
Tange Tubing	7
Teflon Liner	24
Terminals	23, 24
Terms of Business	48
Thinners	30
Titanium Tubes/Parts	3, 19
Top Eyes	20
Tools	31 to 47
Tubing - Columbus	3 to 6
Tubing - Octagonal	23
Tubing - Star shaped	23
Tubing - Tange	7
Tunnels	22
Washers	23
Wire Terminals	23, 24
Wires	24
Wishbones	19

COLUMBUS CRONO-BENDS



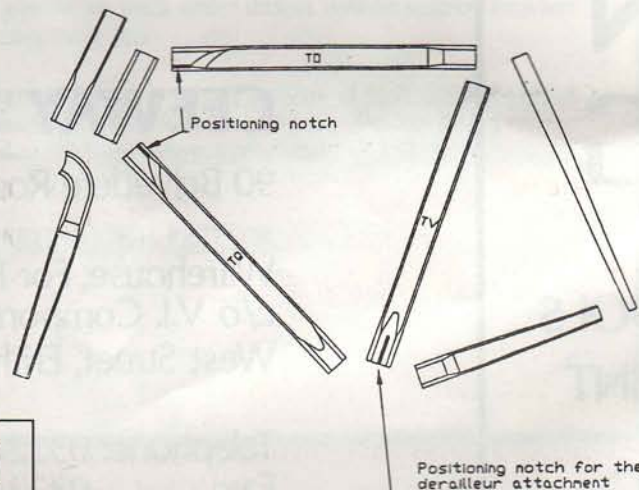
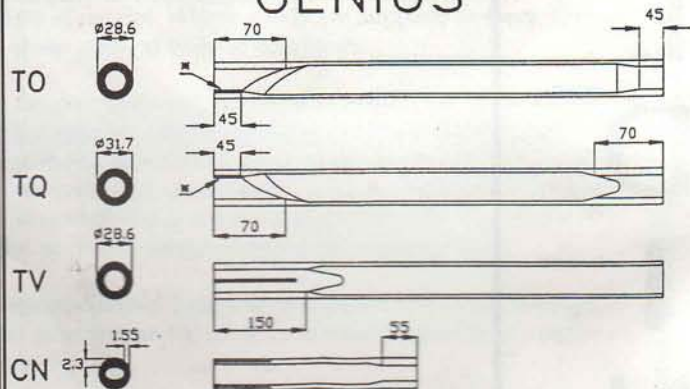
Genius and Genius OR are designed only to be tig welded. They have a shaped butt area which has to be positioned in relation to the other 2 main tubes to obtain maximum strength. The notch felt inside the tube end indicates this as shown on drawings below.

GENIUS OR



✱ The positioning notch inside the top and down tubes is to be found at the shorter end of the reinforcement

GENIUS



COLUMBUS FRAME TUBES MAY 1994

MAX TUBING

Top Tube	17.09
Down Tube	16.22
Seat Tube	15.79
Chain Stays	20.95
Seat Stays	16.32
Fork Blades	27.25
Steerer	5.58
Head Tube	3.52
COMPLETE SET	117.14

MINIMAX TUBING

Top Tube	14.45
Down Tube	15.24
Seat Tube	17.76
Chain Stays	15.85
Seat Stays	14.28
Fork Blades	24.51
Steerer	5.33
Head Tube	3.52
COMPLETE SET	104.10

EL TUBING

Top Tube	12.78
Down Tube	14.29
Seat Tube	15.99
Chainstays	14.61
Seat Stays	12.73
Fork Blades	24.51
Steerer	5.33
Head Tube	3.00
COMPLETE SET	98.01

EL OVERSIZE TUBING

Top Tube	13.75
Down Tube	15.46
Seat Tube	15.99
Chain Stays	21.25
Seat Stays	14.28
Fork Blades	24.51
Steerer	5.33
Head Tube	3.00
COMPLETE SET	105.49

EL OVERSIZE (Optional)

Top Tube	15.46
Down Tube (35mm)	15.96
Seat Tube	16.16
Seat Tube	18.00
Chain Stays	12.70
Chain Stays	16.33
Seat Stays	14.94

PRX TUBING

COMPLETE SET (LIMITED STOCK)	91.66
---	--------------

TSX TUBING

Top Tube	10.02
Down Tube	11.60
Seat Tube	10.15
Chainstays	20.69
Seat Stays	11.49
Fork Blades	17.50
Steerer	5.57
Head Tube	3.02
COMPLETE SET	85.99

SLX TUBING (New Type)

Top Tube	10.02
Down Tube	11.68
Seat Tube	10.15
Chain Stays	15.88
Seat Stays	12.73
Fork Blades	17.18
Steerer	5.57
Head Tube	3.02
COMPLETE SET	80.46

ALTECH TUBING (Aluminium)

Top Tube	14.88
Down Tube	16.55
Seat Tube	14.79
Chain Stays	16.95
Seat Stays	15.26
Head Tube	8.82
Bottom Bracket Shell	4.67
COMPLETE SET	87.00

GENIUS TUBING

Top Tube	18.80
Down Tube	19.34
Seat Tube	25.58
Chain Stays	21.22
Seat Stays	12.73
Fork Blades	24.51
Steerer	6.80
Head Tube	3.00
COMPLETE SET	120.94

HYPERION TUBING (TITANIUM)

Top Tube	111.85
Down Tube	137.09
Seat Tube	118.30
Chain Stays	141.83
Seat Stays	160.58
Head Tube	37.46
COMPLETE SET (8 TUBES)	707.11

OPTIONAL TUBES

Top Tube	118.30
Seat Tube	111.85

CROMOR TUBING

Top Tube	4.52
Down Tube	5.47
Seat Tube	4.88
Chainstays	6.59
Seat Stays	4.69
Fork Blades	5.40
Steerer	2.87
Head Tube	1.00
COMPLETE SET	33.32

GARA TUBING

Top Tube	2.60
Down Tube	2.89
Seat Tube	2.68
Chainstays	4.82
Seat Stays	4.37
Fork Blades	4.54
Steerer	2.32
Head Tube	1.00
COMPLETE SET	23.25

AELLE TUBING

Top Tube	1.88
Down Tube	2.10
Seat Tube	2.10
Chainstays	3.95
Seat Stays	3.45
Fork Blades	3.89
Steerer	2.23
Head Tube	0.69
COMPLETE SET	18.51

THRON TUBING

Top Tube	5.76
Down Tube	7.22
Seat Tube	4.88
Chainstays	6.89
Seat Stays	7.84
Fork Blades	5.40
Steerer	2.87
Head Tube	1.00
COMPLETE SET	39.92

TANDEM TUBING (NEW)

Top Tube	23.03
Down Tube	10.90
Seat Tube	8.96
Chainstays	21.75
Seat Stays	7.84
Fork Blades	40.87
Steerer	5.93
Tandem Head Tubes	3.62
Bottom Tube	42.58
Laterals	35.30
COMPLETE SET	200.78

COLUMBUS MS TUBING IS NO LONGER IN PRODUCTION.
HOWEVER IT IS AVAILABLE UNTIL STOCKS ARE EXHAUSTED.

**MS TUBING
COMPLETE SET (LIMITED STOCKS)** 77.77

SL TUBING

Top Tube	9.54
Down Tube	9.07
Seat Tube	8.28
Chainstays	15.13
Seatstays	12.07
Fork Blades	16.35
Steerer	5.32
Head Tube	2.86
COMPLETE SET	75.61

ATB TUBING

MAX-OR TUBING (NEW)

Top Tube	17.05
Down Tube	16.22
Seat Tube	15.14
Chainstays	28.06
Seat Stays	14.33
Fork Blades	40.87
Steerer	5.89
Head Tube	3.52
COMPLETE SET	131.42

ALTECH OR (Aluminium) TUBING

Top Tube	16.55
Down Tube	20.69
Seat Tube	15.98
Chainstays	18.13
Seat Stays	15.24
Head Tube	10.01
Bottom Bracket Shell	4.67
COMPLETE SET	96.74

AELLE OR TUBING

Top Tube	2.00
Down Tube	2.39
Seat Tube	2.17
Chainstays	4.68
Seat Stays	4.08
Fork Blades	6.91
Steerer	2.23
Head Tube	0.70
COMPLETE SET	23.51

GARA OR TUBING

Top Tube	2.65
Down Tube	3.36
Seat Tube	2.90
Chainstays	5.80
Seat Stays	5.30
Fork Blades	7.74
Steerer	2.50
Head Tube	1.00
COMPLETE SET	28.64

CROMOR OR TUBING

Top Tube	5.76
Down Tube	5.45
Seat Tube	4.86
Chainstays	6.40
Seat Stays	6.18
Fork Blades	8.34
Steerer	2.87
Head Tube	1.00
COMPLETE SET	39.11

THRON OR TUBING

Top Tube	5.76
Down Tube	5.99
Seat Tube	4.88
Chainstays	7.33
Seat Stays	6.18
Fork Blades	8.47
Steerer	2.67
Head Tube	0.92
COMPLETE SET	42.20

THRON OR TUBING - OVERSIZE

Top Tube	7.22
Down Tube	5.63
Seat Tube	5.32
Chainstays	7.42
Seat Stays	6.72
Fork Blades	8.34
Steerer	3.00
Head Tube	2.19
COMPLETE SET	45.84

GENIUS OR TUBING

Top Tube	19.73
Down Tube	21.17
Seat Tube	20.14
Chainstays	21.32
Seat Stays	15.86
Fork Blades	25.92
Steerer	6.82
Head Tube	3.21
COMPLETE SET	128.63

NIVA OR TUBING

Top Tube	9.98
Down Tube	11.68
Seat Tube	8.49
Chainstays	15.12
Seat Stays	13.60
Fork Blades	26.93
Steerer	5.61
Head Tube	2.86
COMPLETE SET	94.27

NIVA OR OVERSIZE TUBING

Top Tube	10.06
Down Tube	11.79
Seat Tube	9.63
Chainstays	20.22
Seat Stays	25.93
Fork Blades	25.62
Steerer	6.51
Head Tube	2.33
COMPLETE SET	112.09

CYBER TUBING (OR)

Top Tube	14.29
Down Tube	10.82
Seat Tube	14.59
Chainstays	7.25
Seat Stays	14.91
Fork Blades	8.47
Steerer	3.00
Head Tube	2.19
COMPLETE SET	75.52

OPTIONAL TUBES

Down Tube	13.17
Chain Stays	14.24
Steerer	5.32
Head Tube	2.86
Seat Tube	15.99

SPECIAL NON-STANDARD TUBES.

SL Steerers (160, 200, 220, 240, 260, 280, 320, 340mm)	5.32
SL Steering Tube 280mm, 300mm. No Thread.	5.32
ATB Steering Tube. 25.4mm x 280mm. No Thread.	5.32
ATB Steering Tube. 28.6mm	6.84
ATB Steering Tube. 31.7mm.	11.80
Gara OR Steerer. 28.6mm.	3.26

Economy Non Columbus Steerers available. See Page 7.

22mm Fork Blades	11.73
24mm Fork Blades	17.03

Double Tapered Seat Stays SL	13.70.
Double Tapered Seat Stays Cromor.	8.86
Double Tapered Seat Stays Cromor OR OS 19mm.	6.72
Double Tapered Seat Stays EL OS 19mm.	16.30
Double Tapered Seat Stays SL 16mm.	14.93

D Shaped Blades - SL.	18.30
D Shaped Blades - Cromor	7.40

SL Top Tube - Grooved	12.00
-----------------------------	-------

Crono (Bent) Top Tube	9.00
Crono (Bent) Seat Tube.	9.30

SL Star 3 Main Tubes (Silva 520)	48.00
SL Octagonal 3 Main Tubes (Silva 601)	48.00

700mm Tubes. SL Down.	11.03
700mm Tubes SLX Seat	15.00
700mm Tubes Gara.	4.72

35mm. Tubes. 2 metre length. - GARA	6.00
1 metre Lengths. 28.6 Plain Gauge - Aelle.	5.80

Thron OR Head Tube. 1.5mm for Tig.	3.64
Head Tube Lengths. Aelle.	2.39

Head Tube Lengths. Tandem 34x2x600mm.	8.65
Tandem Drain Tube. Cromor. Round.	12.63
Tandem Drain Tube. CM. Heavy Duty. Oval.	27.05
Tandem Chain Stays. CM. Heavy Duty.	40.48
Tandem Chain Stays. 25.4mm single bend.	7.56

Track Oversize Chain Stays.	13.86
----------------------------------	-------

OR Chainstays - Various Bends	15.12
-------------------------------------	-------

Air Top Tube. Oval.	17.82
Air Fork Blades Standard.	21.45
Air Fork Blades Profiled.	21.45
Air Seat Stays.	17.82
Air Seat Stays Double Tapered.	20.95
Seat Pin for Air Tubing.	31.50

SP Top Tube.	11.55
SP Down Tube.	12.21
SP Seat Tube.	11.88
SP Chain Stays.	15.13
SP Fork Blades.	16.35

SPX Down Tube.	15.01
SPX Seat Tube.	16.85
SPX Chain Stays.	20.68

Tensor Tubes are the cheapest in the Columbus range:

Tensor Fork Blades	2.95
Tensor Chain Stays	3.11
Tensor Seat Stays	2.45

COLUMBUS TUBING QUANTITY DISCOUNTS

All prices are net. Discounts are for settlement within 30 days.

COMPLETE TUBE SETS

Number of Tube Sets:	Discount:
5 SETS ASSORTED	7%
10 SETS ASSORTED	10%
20 SETS ASSORTED	20%
50 SETS ASSORTED	30%

PAYMENT

Any discounts are associated with a 30 day settlement period. Therefore if payment is not made within 30 days of invoice date, the discount offered is cancelled.

ORDERING

All discounts have to be agreed at the time of ordering.

Where low stock does not allow the full quantity to be sent, we reserve the right to part-ship, and send the balance when new stock arrives.

**Ceeway Marketing, 90 Belvedere Road,
Bexleyheath, Kent, DA7 4PF, England.
Tel. 0322 442990. Fax 0322 442886**

All other parts of our Terms of Business apply

NOTES - REGULAR PURCHASES etc.

BERTOLI RACING, ATB AND TOURING FORKS

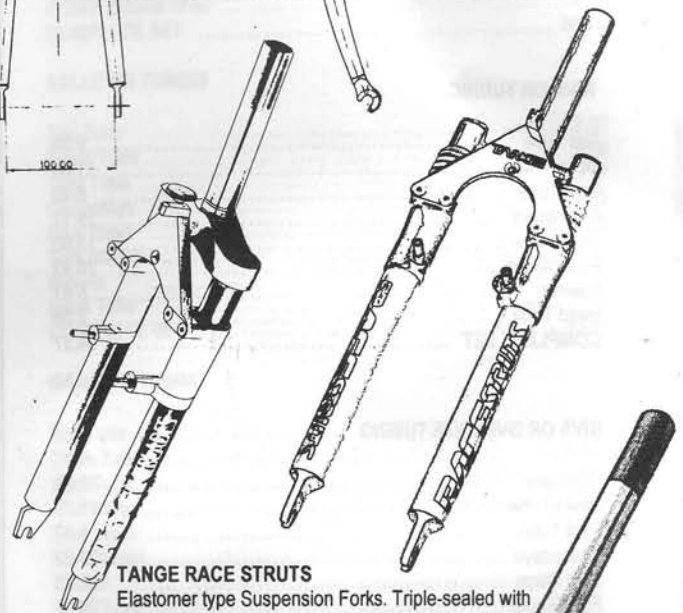
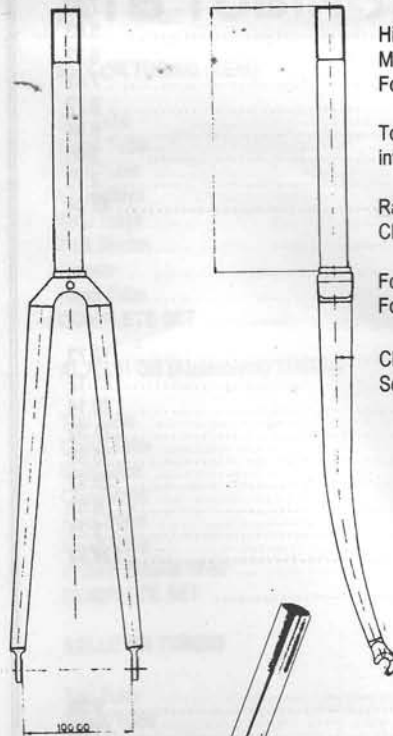
High quality complete forks with Microfusion Fork Crown and Machined Fork Ends.

Touring forks have 5mm. boss sunk into lower fork blades.

Racing Forks have highest quality Chromium Plating.

For type of Fork Crown used, see Fork Crown page in Catalogue.

Choice of Sadir, Tech or Altair crowns. See pages 7 and 11.



TANGE RACE STRUTS

Elastomer type Suspension Forks. Triple-sealed with rubber boots. Travel 40mm. Weight 1370gr.

TANGE SHOCKBLADES
Elastomer type Suspension Forks
Alloy Crown, updated seals.
Travel 40mm. Weight 1305 gr.



TANGE BIG AND SUPERBIG FORKS

TANGE STRUTS

TANGE ULTRALIGHT FORKS

QUALITY FRONT FORKS

TANGE SUSPENSION

25.4/28.6mm	Race Strut Suspension Forks 160mm	154.00	Pair
25.4mm	Shockblade Suspension forks. 160, 190 or 220mm	169.95	Pair
28.6mm	Shockblade Suspension forks. 150 or 160mm	169.95	Pair

Spares are available mostly from stock.

Quantities of any Tange Suspension Forks can be obtained.

TANGE RACING AND ATB FORKS

25.4x190mm	BIG Fork ATB - Black Chrome	40.57	Pair
28.6x190mm	BIG Fork ATB - Black Chrome	40.57	Pair
28.6x190mm	SUPER BIG Fork ATB. Bare	35.63	Pair
25.4x190mm	Strut Forks. ATB. Bare	41.68	Pair
28.6x190mm	Strut Forks. ATB. Bare	41.68	Pair
25.4x160mm	Ultralight Forks. ATB. Black Chrome	43.02	Pair
25.4x190mm	Ultralight Forks. ATB. Black Chrome	43.02	Pair
28.6x160mm	Ultralight Forks. ATB. Black Chrome	43.02	Pair

BERTOLI RACING FORKS

Standard Chrome Moly. 160, 200, or 250mm steerer lengths available.

25CD4 Steel	Bare Forks with Sadir Crown	23.86	Pair
" "	Silver Chromed with Altair crown	36.65	Pair

Racing Forks in Special Steel-like Nivacrome. 160, 200, or 250mm steerers.

18MCDV6	Bare with Sadir crown	40.32	Pair
---------	-----------------------	-------	------

BERTOLI TOURING FORKS

Touring Forks. Bare with Sadir crown in 25CD4 Steel. Single eye. 160, 200, or 250 Steerer lengths available.

Bare Forks. 25.4mm Steerer	25.00	Pair
----------------------------	-------	------

BERTOLI ATB FORKS

ATB Forks in Special Steel - like Nivachrome - 18MCDV6 150, 190, or 230mm steerer lengths available. Mounted Pivots. Machined ends

Bare Forks. Tig Welded. 25.4mm	40.32	Pair
--------------------------------	-------	------

SABA STEERING COLUMNS (3" OF THREAD)

Cro Moly Steerer with 75mm of thread. 200, 230, or 265mm lengths.	2.50	Each
--	------	------

Mild Steel Steerer with 75mm of thread. 250 or 165mm lengths.	1.50	Each
--	------	------



TANGE TUBING SETS

To the first time user, or casual buyer of tubing, Tange represents the peak of excellence when examining a set of tubing. Smooth tube cuts, stainless steel appearance, it begs making and finishing exactly as found - without a hint of paint.

Prestige	ATB Oversize Tubing with Blades	110.60	Set
Prestige	Ritchey Logic ATB Tubing No Forks	84.35	Set
Prestige	700C Road Tubing with Blades	91.64	Set
Prestige	700C Oversize Road Tubing with Blades	108.82	Set
Prestige	Superlight Road 700C with Blades	98.90	Set
Prestige	Ultimate Ultrastrong. ATB. No blades.	84.59	Set
Prestige	Ultimate Superlight. ATB. No blades	94.58	Set
Prestige	Concept ATB Tubing with Blades	114.15	Set

MAKEUP OF TANGE TUBESETS:

Prestige ATB Oversize:

Top Tube 31.8mm	Down Tube 34.9mm
Seat Tube 31.8mm	Head Tube 36.4mm
Seat Stays Double Tapered 19mm	Fork Blades 28.6mm
Oval Single Bend Chain Stays	Steerer 28.6mm

Prestige Ritchey Logic ATB:

Seat Tube. Oval at one end 25.5x36.4mm,	Down Tube 31.8mm
Top Tube 28.6mm	Seat Stays 16mm
Oval Double Bend Chain Stays	

Prestige 700C Road:

The high performance tube that has created an industry standard for lightweight and strength.

Standard Road Dimensions.

Prestige 700C Oversize Road:

Oversize Prestige tubes for road frames. Distinctive appearance with upgraded strength.

Top Tube 28.6mm	Down Tube 30mm
Seat Tube dia. 28.6. Oval at one end 34.5x28.6mm	Seat Stays 14mm
Standard Continental Blades	Steerer 235 x 25.4mm
Oval Chain Stays	Head Tube 31.8mm

Prestige 700C Superlight Road:

When performance is everything. Super lightweight double-buttet tubing for special competition and road frames.

Standard Road Dimensions

Prestige Ultimate Ultrastrong ATB

The rugged lightweight tube with external-internal ribbing for greater strength.

Top Tube 28.6mm	Down Tube 34.9/31.7mm
Seat Tube 28.6mm	Seat Stays 16mm
Oval Single Bend Chain Stays.	Head Tube 37mm

Prestige Ultimate Superlight ATB

The ultimate in lightweight tubing for the ATB.

Top Tube 30mm	Down Tube 33/34.9mm
Seat Tube 28.6mm	Seatstays D/Taper 19mm
Chain Stays Oval Single Bend	Head Tube 37mm

Prestige Concept ATB

Flared tube ends increase joint strength and impart a distinctive look to the ATB.

Top Tube Oval at both ends 34x30, 30x27.2	Fork Blades 28.6mm
Down Tube Oval at both ends 34x30, 30x27.2	Head Tube 36.4mm
Seat Tube Oval at one end 30, 33.5x28.6mm	Steerer 25.4mm
Oval Single bend Chain stays	Seatstays D/Taper 19mm

BOTTOM BRACKET SHELLS

BERTOLI Microfusion

445.10	Italian Threads - 61/63 degrees	10.90	Each
445.10	59/64 BSC - 61/63	10.90	Each
445.30	59/64 BSC - 61/63	10.90	Each
Cluster	59/64, 61/63 BSC.	10.90	Each
Lyra	59/65, 61/63 BSC.	10.90	Each
Shaula	60.5/62.5 degrees BSC.	10.90	Each
Shaula	Italian Threads. 60.5/62.5 degrees	10.90	Each
Nash	Italian Threads. 60.5/62.5 degrees	12.50	Each
Nash	BSC. 60.5/62.5 degrees	12.50	Each
	EL Oversize with Oval Chain Stay Ports	11.70	Each

CINELLI Microfusion

SCM	Spoiler Shell. Italian. (English no longer made)	16.59	Each
SCM	Racing Shell	10.23	Each

COLUMBUS Pressed

OR-S	ATB. Parallel. BSC. 67/69 degrees	3.70	Each
	Aluminium BB Sleeve (for Altech). No threads	4.50	Each
	CroMoly B/Bracket Sleeve (No Ports)	4.00	Each

COLUMBUS Microfusion

MS	For MS Tubes BSC. 58/62 degrees	20.75	Each
MAX	For Max Tubes BSC. 60.5/62.5 degrees	16.18	Each
EL	Oversized. Oval CS Port. 60.5/62.5 degrees	12.85	Each

EVEREST Microfusion

C-69MT1ATB	- 10 Degrees BSC.63.33/68.17 degrees	9.50	Each
C-69MT	ATB - Parallel BSC.63.33/68.17 degrees	9.50	Each
C-69E	Racing. 60.5/62.5 degrees. BSC.	9.50	Each
C-69S	Extra Rigid 59x65 degrees. BSC. Gothic Design.	18.00	Each
C-69RE	Racing. 60/64 degrees. BSC.	9.50	Each
C-79	OVERSIZE ATB Shell. BSC.63/68 degrees	9.50	Each
C-414	Rear Tandem Shell 108/63.7 degrees	10.11	Each
C-415	Front Tandem Shell. 58.4/73 degrees	14.06	Each
	Silva Eccentric to fit C-415	12.95	Each
C-697	59x64x8 degrees. Racing Shell	9.50	Each

LONG SHEN Microfusion

LB100R	Standard Angles 60.5/62.5 degrees	9.50	Each
LB102W	Built -In Bridge. 3 slits in bottom. - 60/64 degrees	9.50	Each
LB102R	with heart shaped cut out at the bottom.	9.50	Each
LB104C	For EL O/S Tube Set. Oval C/S Port	9.50	Each
LB204R	Oversize Shell for 731 Tubing. Round C/S Ports	9.50	Each
LB300B	Arrowhead. 59.5/62.5 degrees.	12.00	Each

HADEN Tandem Bottom Brackets

Front	61/72 degrees	7.99	Each
Rear	108/63.5 degrees	5.00	Each
	Alloy Adjustable Eccentric	13.20	Each

SABA Pressed Bottom Bracket Shells

Super	BSC. 61/63 degrees	2.90	Each
Plain	B/Bracket Sleeve. BSC. Thick	1.50	Each
Plain	B/Bracket Sleeve. BSC. Thin	1.50	Each
Thron	Shell. 60/64 degrees (31.7/28.6)	3.92	Each
731	Shell. 61/63 deg. (31.7/28.6) Rnd C/S Ports	3.18	Each

SILVA Pressed Bottom Bracket Shells

561	BSC (Limited Supply)	6.67	Each
573	ATB. Italian Threads.	8.29	Each
599	Threaded Aluminium Bottom Bracket Sleeve	7.60	Each
599A	Sleeve Insert for Carbon Fibre Frames	7.60	Each
619	Cro-Moly Bottom Bracket Sleeve with 5 holes	5.79	Each

SILVA Microfusion Bottom Bracket Shells

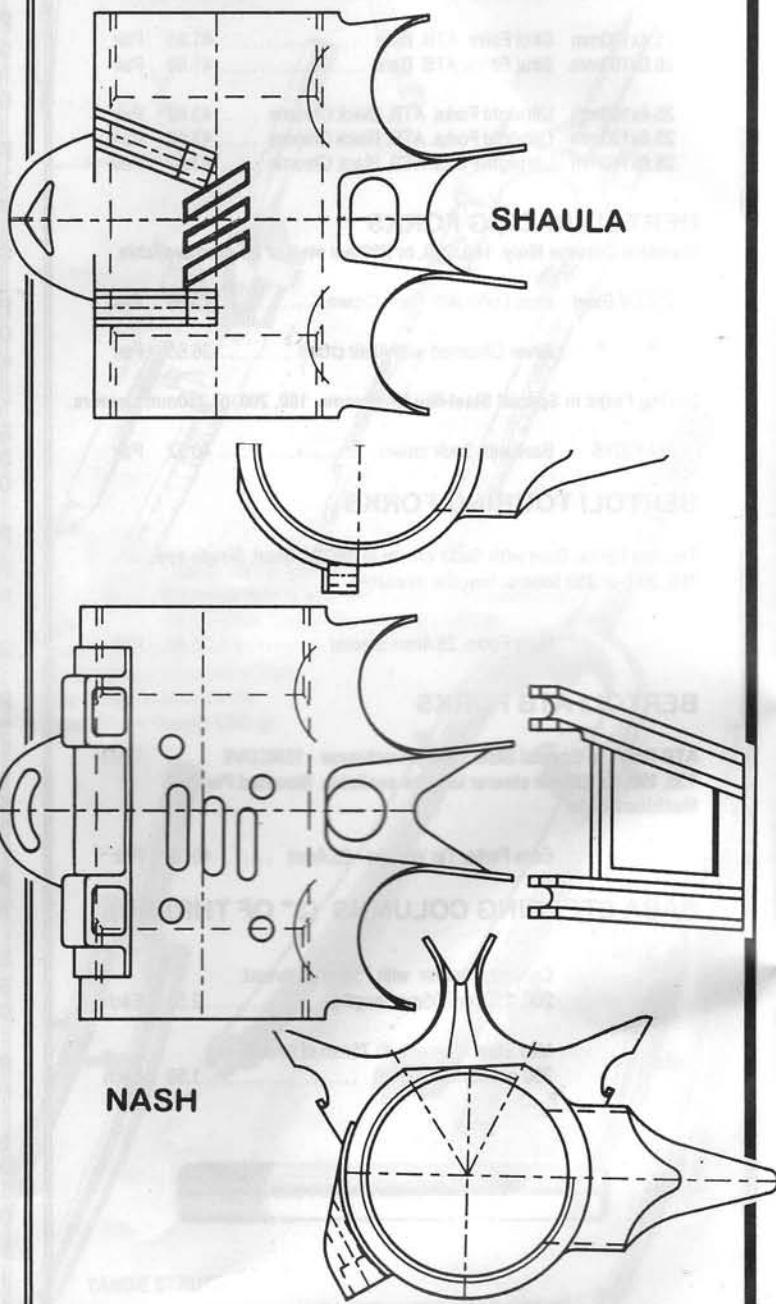
469	Aluminium Eccentric for C415	12.95	Each
528	BSC. Cast Bottom BB Shell. 60.5/62.5 deg	12.50	Each
562	Italian Threads. Like the Cinelli Spoiler	13.58	Each

BSE

BSE 415.10 (Lyra)



BSE 415.30 (Cluster)





LB100R



LB102R
LB102W
LB204R Oversize



LB300-B Arrowhead Shell

EVEREST



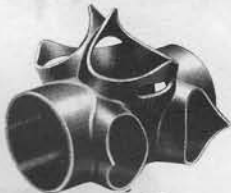
BB Shell
C-69MT



C-69E Shell



C-69RE



C-79
B.B. Shell



C-69S

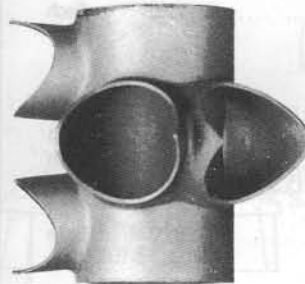


C-697 & C-698 Shell

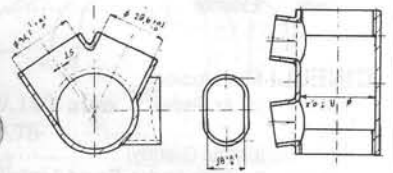


SABA

SUPER Pressed Shell



561

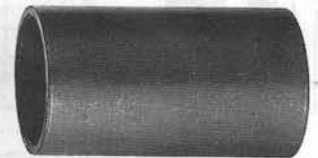


THRON Pressed Shell
Also with Round Ports for 731

SILVA



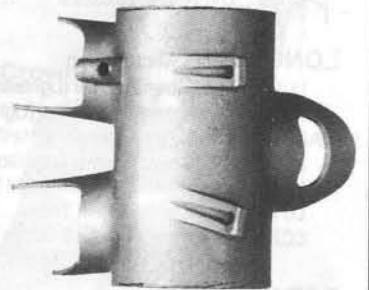
573 PLAIN SHELL BSC NO PORTS



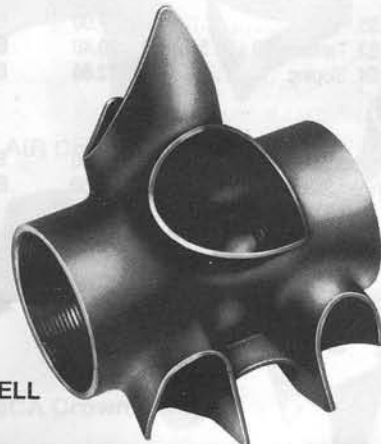
619



528



562 Shell



MS SHELL

FORK CROWNS

All crowns except where specified are for Columbus or Reynolds Continental type Fork Blades. (28.1x19.1mm)

BERTOLI Forged

519.75	3.30	Each
Phobos 519.120C	3.30	Each
Phobos 519.120RC (26.6x20.3)	3.30	Each
Phobos 519.120ST (28.5x16.5)	3.30	Each
Vega 519.130	3.30	Each
Antares 519.140	3.30	Each
Tec External	3.30	Each

BERTOLI Microfusion

Altair	Narrow Internal	7.20	Each
Sadir	External	7.20	Each

CINELLI Microfusion

AIR	(for Air Blades)	10.50	Each
SCA		7.85	Each
CC	(Limited Quantity)	9.50	Each
22mm	For Track Blades. Round.(Limited Quantity)	9.00	Each
24mm	See Long Shen LC19. Round.			
Tratto	Extra Strong	8.00	Each

COLUMBUS Microfusion

MK	Long Tangs.	5.95	Each
MAX	For Max Road Blades	10.88	Each

EVEREST Microfusion

C-52	Semi-Sloping	5.00	Each
C-56K	Internal	7.00	Each
C-58	See Silva 551			
C-60	Internal	7.00	Each
C-61	Internal D Shape	7.00	Each
C-63	Internal	7.00	Each
C-64	External	7.00	Each
C-67	Cyclocross	7.00	Each
MT188	ATB Crown	10.20	Each
US	Unicrown. 25.4mm	3.75	Each
UL	Unicrown. 28.6mm	3.75	Each
C-199	OVERSIZE. 28.6x28.6	4.50	Each

LONG SHEN Microfusion

LC14	Fork Crown External (Lightweight)	7.00	Each
LC15	Fork Crown Flat External (Lightweight)	5.05	Each
LC16	Fork Crown External (Lightweight)	7.00	Each
LC17	Fork Crown External Semi Sloping (Lightweight)	7.00	Each
LC18	Fork Crown External/Straight Blades (L/W)	7.00	Each
LC19	Fork Crown - 24mm Track	7.00	Each
LC23	Fork Crown (As LC18, but for bent blades) (L/W)	7.00	Each

SABA Microfusion

ELC	Shallow	7.00	Each
-----	---------	-------	------	------

SILVA Microfusion

551	Fork Crown - S5.	7.00	Each
552	Fork Crown - S3. Tandem (30 x 21.5mm)	20.40	Each
553	Fork Crown - S4. Sloping.	12.86	Each

SILVA Machined

490	25.4mm Machined Steerer Collar.	3.00	Each
491	28.6mm Machined Steerer Collar.	3.50	Each



490
491



LC14



LC15



LC16



LC17



LC18
LC23



LC19

SILVA



553



551



552

EVEREST FORK CROWNS



C-52



C-56K



C-61



C-60



C-64



C-63



C-67
Hollow size



Uni Crown
U-S $\phi 25.4$



C-199
Over Size
Uni Crown



Fork Crown
MT-188

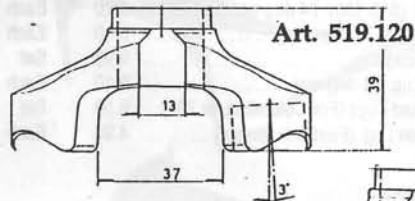


Uni Crown
U-L $\phi 28.6$

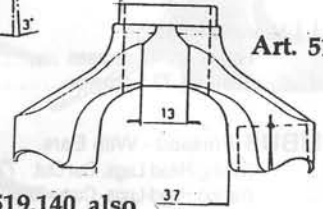


BERTOLI

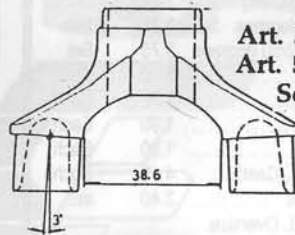
FORGED CROWNS



Art. 519.120



Art. 519.130



Art. 519.140 also
Art. 519.75
Semi
Sloping

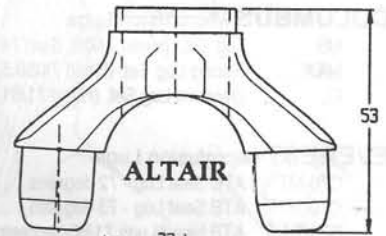


BERTOLI

MICROFUSION



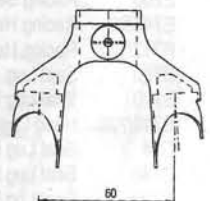
COLUMBUS



ALTAIR



MK Crown



BSE SADIR



22mm Track
Crown



AIR Crown



SCA Crown



TRATTO Crown

LUGS

BERTOLI Microfusion Lugs

	ADARA Head (515.20/30)	9.95	Set
	ARIES Seat (515.100). 74 degrees	5.10	Each
	Merak Seat Lug. 74 degrees	5.10	Each
	Nash Head Lugs	9.95	Set
	Nash Seat Lug. 74 degrees	5.10	Each
EL/OS	Oversize Head Lugs (For Columbus, or 731) ..	9.50	Set
EL/OS	Oversize Seat Lug. (Fastback design)	4.95	Each

CINELLI Microfusion Lugs

CSM	Head Lugs. 73 degrees	10.75	Set
CRM	Seat Lug. 73.5 degrees	5.55	Each

COLUMBUS Pressed - With Ears.

MK.2	Racing Head Lugs. Cut Out. 72/60 degrees ..	3.37	Set
MK.3	Racing Head Lugs. Curly. 72/60 degrees	3.75	Set
MK.4	Racing Head Lugs. 3 Cut Outs. 72/60 degrees ..	3.75	Set
MK.2	Seat Lug. 72 degrees	1.90	Each
MK.4	Seat Lug. 72 degrees	1.90	Each
MK.3	Seat Lug. No Ears. 72 degrees	1.90	Each
MK.2	Seat Lug. No Ears. 72 degrees	1.90	Each
Thron	Seat Lug (ATB Type). 72 degrees (Cast)	4.19	Each
Thron	Racing Head Lugs. 73/60 degrees *	3.40	set

* suitable also for 731 & EL Oversize.

COLUMBUS Microfusion Lugs

MS	Lug Set. (Head 74/59, Seat 74 degrees)	18.00	Set
MAX	Racing Lug Set. (Head 74/59.5, seat 74 deg.) ..	20.00	Set
EL	Oversize Lug Set. (Head 71/61, seat 73 deg.) ..	12.90	Set

EVEREST Microfusion Lugs

C70-MT	ATB Seat Lug - 72 degrees	4.15	Each
C70-1MT	ATB Seat Lug - 73 degrees	4.15	Each
C71/2-MT	ATB Head Lugs 71/66 degrees	7.75	Set
E700	Racing Seat Lug. 73.5 degrees	4.15	Each
E710/20	Racing Head Lugs. 73/60 degrees	7.18	Set
P712/722	Racing Head Lugs. 73/60.5 degrees	7.18	Each
B700	Seat Lug. 73.5 degrees	4.15	Each
S700	Seat Lug 73.5 degrees. Gothic Design.	12.00	Each
S710/720	Head Lugs 74/60 degrees. Gothic Design.	20.00	Set
C74	Seat Lug Extension.	5.10	Each
C746	Seat Lug Extension.	5.10	Each
C759	Seat Lug Extension (with guide for cable)	4.83	Each
C73	Cast Seat Clamp. - 28.6mm	2.30	Each
C832S	Stainless Seat Collar - with q/release 28.6mm ..	9.99	Each
C850S	Stainless Seat Collar - with q/release 28.6mm ..	9.99	Each
C601	Cyclocross Seat Lug. 73 degrees	4.15	Each
C610/620	Cyclocross Head Lugs. 71/58.75 degrees	7.18	Set
C839	Centre Tandem Lug. 74.1 degrees	9.43	Each
C839a	Rear Seat Lug/Collar for Tandem	4.15	Each
C841	Tandem Mid Down Tube Rear Lug. (85.1 deg.) ..	5.51	Each

EVEREST Oversize

C83a	OVERSIZE Seat Clamp.	2.75	Each
C84	OVERSIZE Seat Lug Extension.	5.10	Each
C801	OVERSIZE Seat Lug 73.5 degrees	4.15	Each
C811/821	Head OVERSIZE 74/66 degrees	7.75	Set
C851S	Stainless Seat Collar - 31.8mm with q/release ..	9.99	Each
C833S	Stainless Seat Collar - 31.8mm with q/release ..	9.99	Each

LONG SHEN Microfusion Lugs

LTD300	Arrowhead Head Lugs 73/60 degrees	13.00	Set
LS300	Arrowhead Seat Lug 73.5 degrees	8.18	Each
LS201R	Seat Lug. Long Point 74 degrees	5.99	Each
LS102R	Seat Lug. Long Point 74 degrees	5.99	Each
LTD102R	Head Lugs. Long Point 73/61 degrees	9.00	Set
LS01-3B	Seat Clamp - 31.7mm	2.60	Each
LTD204OS	Oversize Head Lugs. Long Point.	9.50	Set
LS204OS	Oversize Seat Lug. Long Point.	6.20	Each

LUGS

SABA Pressed Lugs

3/CS. Short 3 Cut Outs. Racing. Head 72/60, Seat 72 deg. .	4.10	Set
O/PS. Short Plain. Racing. Head 72/60, Seat 72 degrees. .	4.81	Set
OPI. Head Lugs. Racing. 73/60 degrees. New type.	3.00	Set

SILVA Pressed Lugs

578 Crono Seat Lug. 65 degrees	3.48	Each
579 Crono Head Lugs. 65/60 degrees	6.19	Set
574 ATB Seat Lug. 68 degrees	3.52	Each
575 ATB Head Lugs. 68/64 degrees	5.71	Set

SILVA Microfusion Lugs

492 Racing Seat Lug. Short Point. 72.5 degrees	5.24	Each
493 Racing Head lugs. Short Point 72.5/60 degrees	8.56	Set
514 Oversize Cast Seat Lug. Short Point. 73 degrees.	6.12	Each
515 Oversize Cast Head Lugs. Short Point. 73/60 deg. .	10.54	Set
563 Seat Lug.	6.19	Each

EVEREST TANDEM PARTS

C839	Centre Tandem Lug. 74.1 degrees	9.43	Each
C839a	Rear Seat Lug/Collar. Also suitable as Seat Collar for Standard Frames	4.15	Each
C841	Tandem Mid Down Tube Rear Lug. 85.1 degrees ..	5.51	Each
C414	Rear Tandem Shell 108/63.7 degrees	10.11	Each
C415	Front Tandem Shell 58.4/73 degrees	14.06	Each

Silva Eccentric to fit C-415 (See B/Bracket Page) 12.95 Each

Other Tandem parts are stocked, being listed under their respective headings. E.g. Tubing, Crowns, Inner Wires, etc.



C-087Y Not available.

The Everest high quality Tandem Parts comprise the following.

1. Front and Rear Bottom Bracket Shells. With 1.75" Bottom Tube ports. 35mm. Down Tube port, 28.6mm. Seat Tube ports, and special 25.4mm Round Chainstay ports.

Bottom Tube has to be sourced elsewhere. The 25.4mm Chainstays are available with single bend. 35mm, and 28.6mm tubes are available to make a custom set.

2. The balance constitutes:

1. Center Seat Lug, with front facing 31.7mm Top Tube port. 31.7mm ladies downward rear facing Top Tube port. To take 28.6mm seat tube.

2. Rear 28.6mm. Mid-Seat tube lug with 31.7mm port for rear top tube.

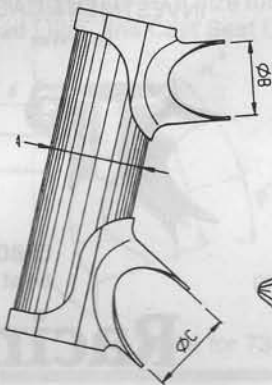
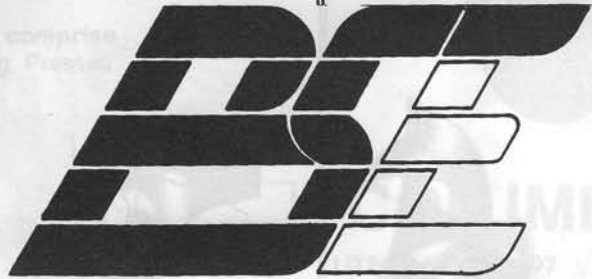
3. Rear Seat collar fitting the 28.6mm seat tube.

TS300 Seat Lug Arrowhead Series



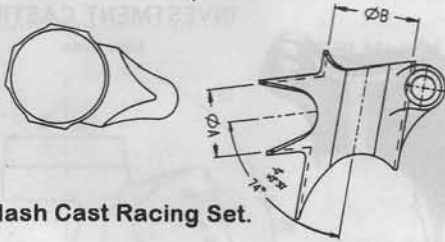
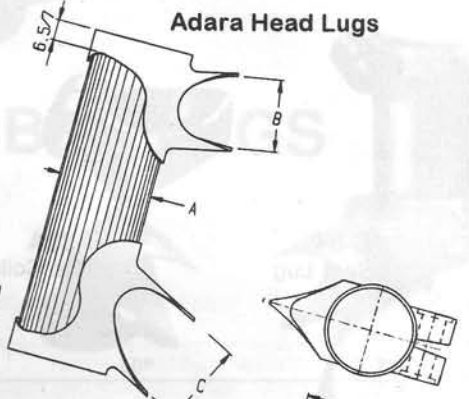
LT300 Head Lugs

LS102 Series - Long Point Lugs.
LS204 Series - Oversize Lugs.
For 731 or Col. EL O/S.

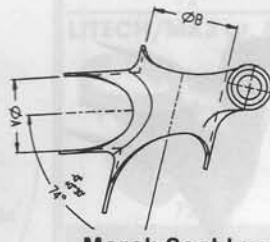
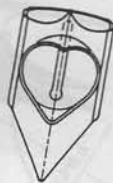


Nash Cast Racing Set.

Adara Head Lugs



Merak Seat Lug



Aries Seat Lug



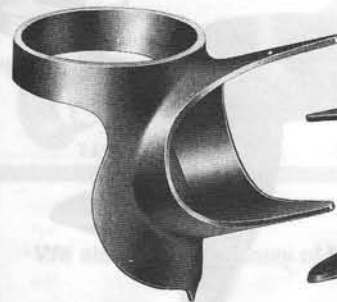
EVEREST



P712/722 Head Lugs



EVEREST Model: B-700 Type



C601



C610/620 Head Lugs

EVEREST

ATB

INVESTMENT CASTING
Lost Wax



Seat Lug
C-746 ϕ 28.6



Seat Lug
C-74 ϕ 28.6



Top Head Lug
C-71MT 71°
Tube ϕ 31.8 x 28.6



Bottom head lug
C-72MT 66°
Tube ϕ 31.8 x 31.8



C-759



Seat Lug
C-70MT 72°
C-70-1MT 73°
Tube ϕ 28.6 x 28.6



Seat Clamp
C-73 ϕ 28.6

Over Size

INVESTMENT CASTING
Lost Wax



C-84
Seat Lug



C-83A
Seat Collar



C-821
Bottom Head Lug



C-811
Top Head Lug



C-801
Seat Lug

Racing

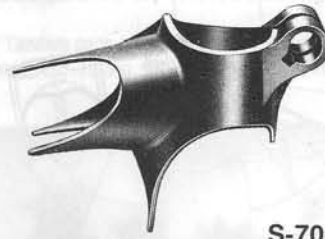
INVESTMENT CASTING
Lost Wax



S-720
Bottom head lug



S-710
Top Head Lug



S-700
Seat Lug



Stainless steel seat collar

C-833S ϕ 31.8
C-832S ϕ 28.6



E710

73°



E700

73° 30'



Stainless steel seat collar
with integral

C-850S ϕ 28.6
C-851S ϕ 31.8



E720

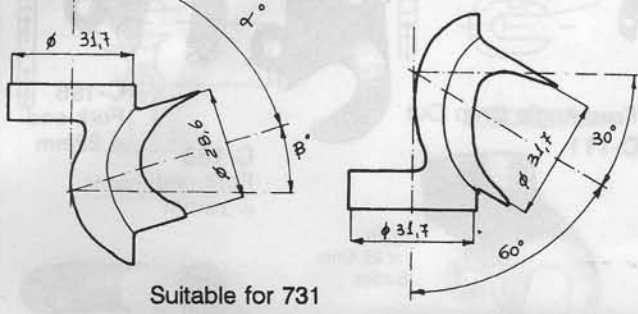
60°

SILVA

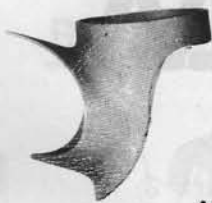
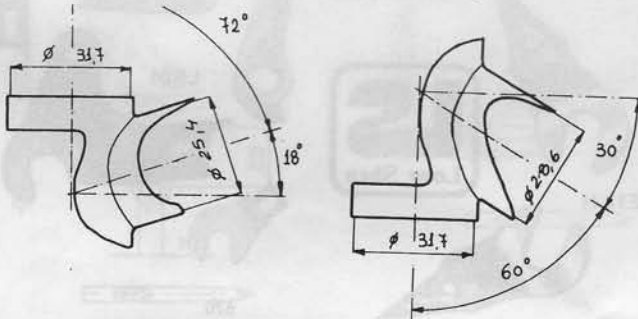
New Silva Racing EL/731 Lugs for 28.6/28.6/31.7mm tubing.



Lugs for the Thron Tube set comprise A racing set for ATB size tubing. Pressed Head Lugs, and Cast Seat Lug.



OPI Head Lugs.



SILVA

ATB Pressed Lugs

575



574

SABA 3/CS & O/PS PRESSED LUGS



COLUMBUS LUGS

LITECH/MK2 gr. 97



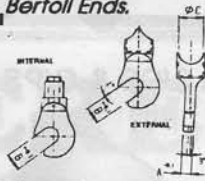
LITECH/MK3 gr. 87



MS gr. 120



We also have a quantity of MK1 Plain Head Lugs.



FRAME ENDS

BERTOLI

Front Machined Left and Right Internal	2.50	Pair
Front Machined Left and Right External	3.25	Pair

COLUMBUS

FC	No Mudguard Eyes Complete. With adjusters	5.60	Set
FC	With Mudguard Eye Complete. With adjusters	5.90	Set
FCX	Semi Vertical Ends Complete. With adjusters	5.60	Set
Vertical	For Large Frames Complete	5.60	Set
Track	Large. Complete	5.65	Set

EVEREST

C111	Cast ATB End With Eye.Rear	9.75	Pair
C188	Front OVERSIZE Magnum etc.	3.75	Pair
C196	Front OVERSIZE Magnum etc.	3.75	Pair
C197	Front 28.6mm Ends.	5.60	Pair
C132	Stainless Steel Rear Hanger (Screw-on)	3.47	Each

LONG SHEN

LE16	Cast ATB Front Ends (Internal) For 25.4mm	3.60	Pair
LE17-H	Cast Front Ends(External). For Standard stays.	4.00	Pair
LR01	Adjustable Rear ends. For ATB C/Stays & 19mm S/Stays. 160gr. only	6.91	Pair

SILVA

516	Type "B" Internal Rear.	15.24	Set
517	Type "B" External Rear.	16.19	Set
569	Skema Front. External.	4.38	Set
570	Skema Front. Internal	3.81	Set
576	Skema Adjustable External Rear.	16.19	Set

TECNOCICLO - Rear With Adjusters.

Rear Only

R.E. 508	EUROPA GENIUS. 71 degrees	8.95	Pair
R.E. 511	Thron Racing Ends. Rear Only. 65 degrees	4.50	Pair
R.E.1010	"MASTER". 70 degrees (Campagnolo Pattern)	4.50	Pair
R.E.1030	Rear Ends only. Special. 70 degrees	10.88	Pair
R.E.1040	"TT" No Eye. 70 degrees. Limited Quantity.	3.70	Pair
R.E.1090	"TT" 1 Eye. 70 degrees	3.45	Pair
R.E.1020	Super Criterium.70 degrees	3.70	Pair
R.E.1020C	Columbus Type. No Eye.	3.70	Pair
R.E.1070	Super Ghisallo. 70 degrees	3.55	Pair
R.E.1055	Super Sprint. 71 degrees	3.70	Pair
R.E.1100	Super Sprint PLUS.71 degrees	3.70	Pair
R.E.1110	Jepa. Limited Quantity	3.45	Pair
R.E.1060	ATB Competiton Vertical. 72 degrees	5.15	Pair
R.E.1160	ATB 2 Eyes. 62 degrees	3.50	Pair
R.E.1170	ATB 2 Eyes. 70 degrees	3.50	Pair
R.E.1185	ATB. Vertical - Raised M/G Eyes. 65 degrees	4.90	Pair
R.E.1190	ATB Vertical 2 Eyes.65 degrees	4.40	Pair
R.E.1194	ATB Vertical No Eye. 65 degrees	4.75	Pair
R.E.1230	ATB 65 degrees. 1 Eye. Vertical.	3.60	Pair
R.E.1240	ATB 54 degrees. 1 Eye. Vertical.	3.60	Pair
R.E.1410	Track.	4.90	Pair

Scrap Right Hand Ends (for Hanger) 0.50 Each

Front Only.

F.E.1490	EUROPA GENIUS Front Ends No Eye	2.73	Pair
F.E.1500	Front Ends.(Gipiemme design)	1.55	Pair
F.E.1510	Front Ends.	1.25	Pair
F.E.1520	Front Ends. Single Eye.	1.50	Pair
F.E.1530	Front Ends. 2 Eyes.	1.60	Pair

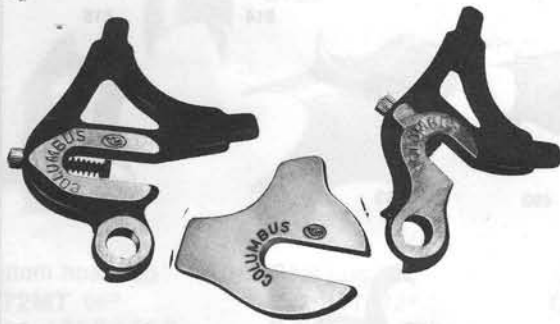
Rear Adjusters (2 screws, 2 nuts, 2 Springs) 0.65 Set



COLUMBUS

FC gr. 240

FCX gr. 180



EVEREST

FC PISTA gr. 170



Free Angle Drop Out
C-111

C-196
Fork end
φ 22mm

C-188
Fork end
φ 22mm



LE16
for 25.4mm
Blades.

C-197
Big Forkend
C-197 ø28.6

LR01

LE17-H



570

SILVA



516

569



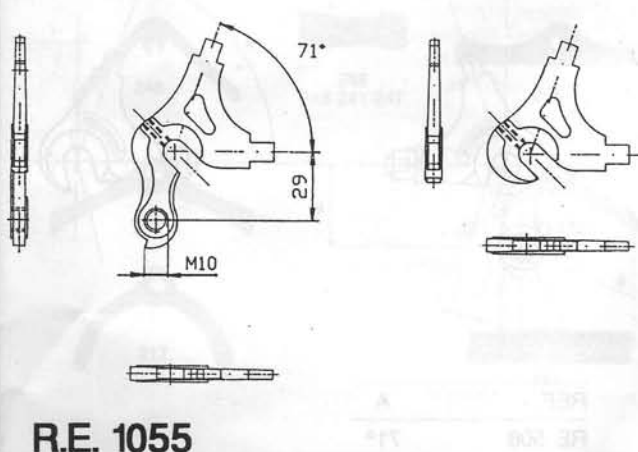
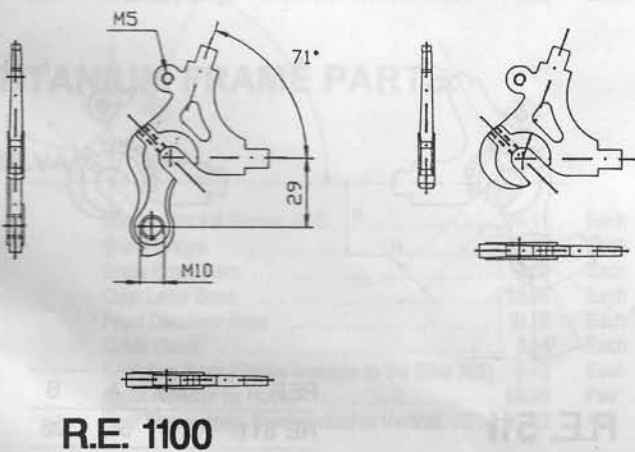
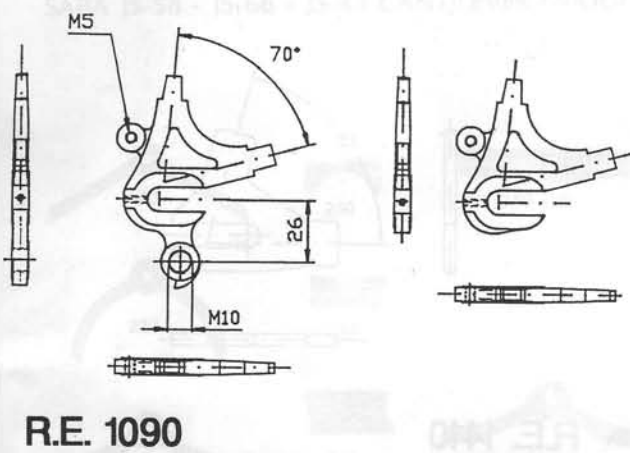
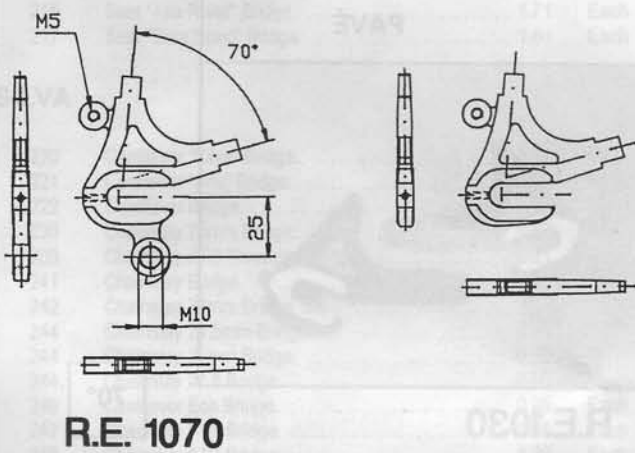
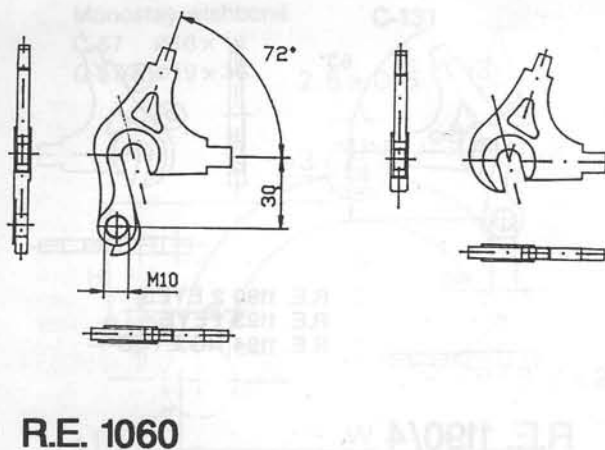
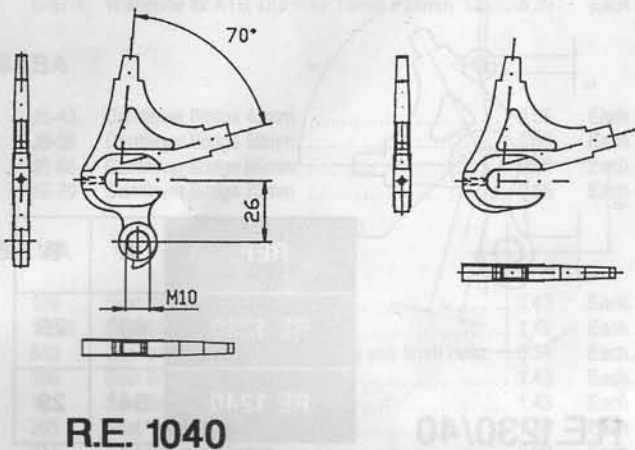
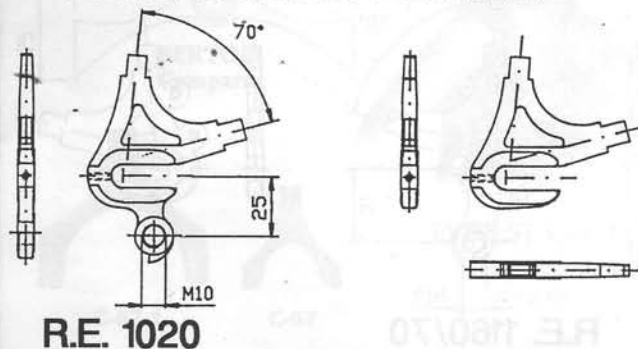
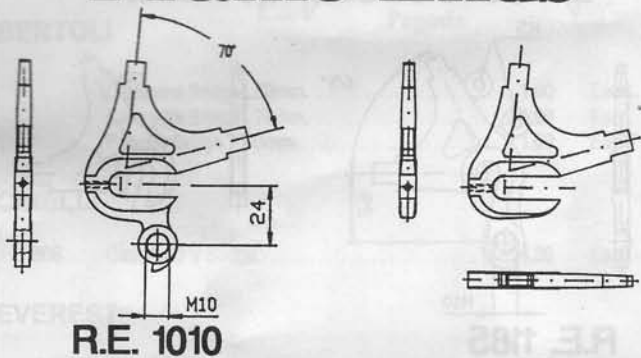
517



EVEREST Model: C-132
Stainless steel derailleur hanger

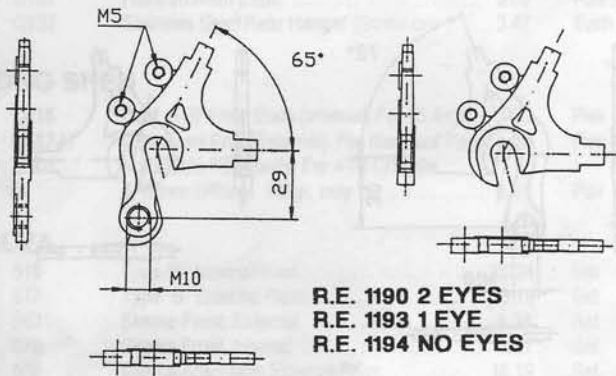
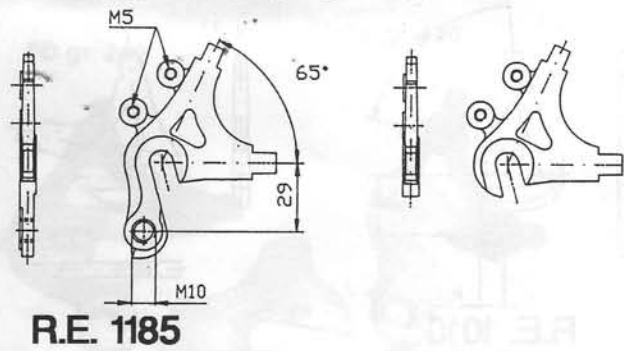
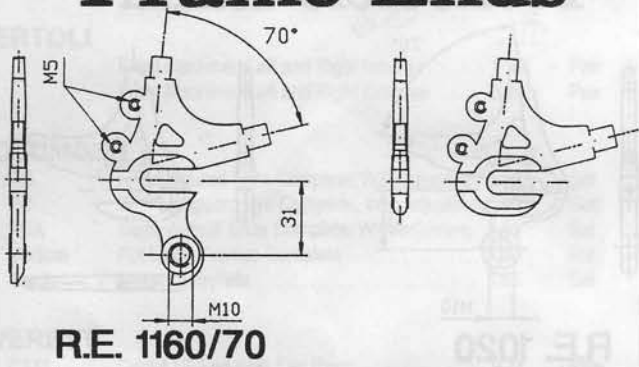
Frame Ends

Tecnociclo Italia

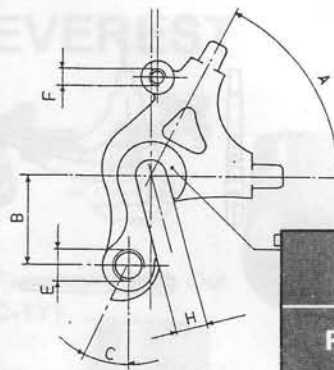


Frame Ends

Tecnociclo Italia



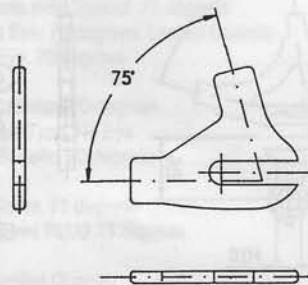
R.E. 1190 2 EYES
R.E. 1193 1 EYE
R.E. 1194 NO EYES



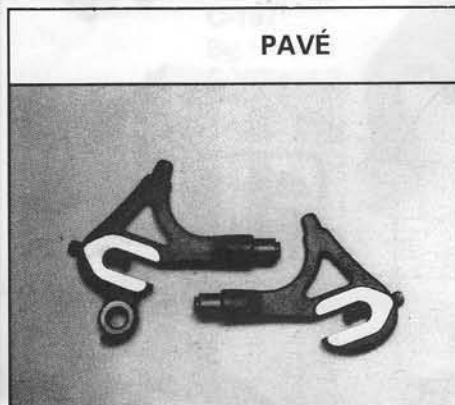
REF.	A	B
RE 1230	63°	29
RE 1240	54°	29

R.E. 1190/4

R.E.1230/40

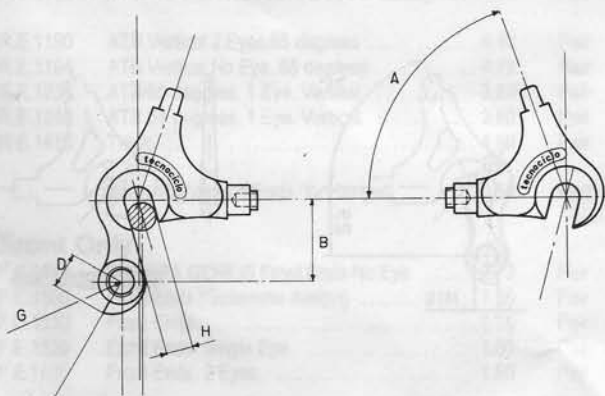


R.E. 1410

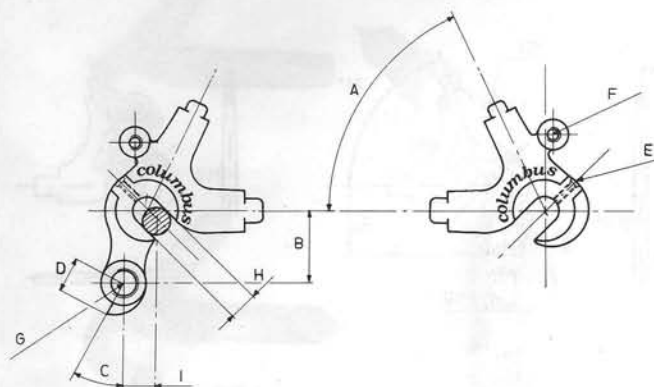


R.E.1030

70°



REF.	A
RE 508	71°



R.E. 511

REF.	A	B
RE 511	65°	26

BRIDGES

BERTOLI



Campana Bridge - 60mm.	1.60	Each
Campana Bridge - 70mm.	1.60	Each
Pagoda Bridge - 60mm.	1.60	Each

CINELLI

806 Cast Aero V Bridge.	4.30	Each
-------------------------	------	------

EVEREST

C-131 Cast V Bridge.	2.95	Each
C-57T Wishbone for 22.2 Seat Stays.	5.00	Each
C-57 Wishbone for 14mm. Seat Stays.	4.20	Each
C-57-1 Wishbone for ATB. Diameter 19mm x 16mm	5.20	Each

SABA

JS-43 Cantilever Bridge 43mm.	0.55	Each
JS-58 Cantilever Bridge 58mm.	0.55	Each
JS-66 Cantilever Bridge 66mm.	0.55	Each
JS-70 Cantilever Bridge 70mm	0.55	Each

SILVA

189 Seat 65mm Bridge.	1.43	Each
189/6 Seat 65mm Bridge - 6mm.	1.43	Each
669 Converts Allen key Bridge to one with 6mm Hole.	0.34	Each
190 Seat Bridge	1.43	Each
191 Seat Bridge	1.43	Each
205 Seat "Air" Road Bridge.	1.43	Each
211 Seat "Record" Bridge.	2.00	Each
213 Seat "Silva Road" Bridge.	1.65	Each
215 Seat "Alfa Road" Bridge.	1.71	Each
217 Seat "Beta Road" Bridge.	1.81	Each

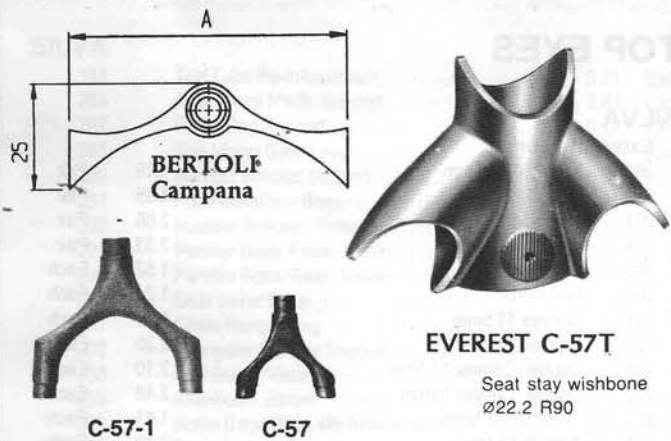
SILVA

220 Cantilever "Silva" Bridge.	1.14	Each
221 Cantilever "Alfa" Bridge.	1.28	Each
222 Cantilever Bridge.	1.33	Each
238 Chainstay 26mm Bridge.	0.67	Each
239 Chainstay ATB Threaded Bridge.	2.21	Each
241 Chainstay Bridge.	0.90	Each
242 Chainstay 37mm Bridge. M5	1.24	Each
244 Chainstay 24.5mm Bridge.	0.90	Each
244 Chainstay 26mm Bridge.	0.90	Each
244 Chainstay 27.5 Bridge.	0.90	Each
246 Cantilever Eco Bridge.	0.95	Each
247 Chainstay ATB Bridge.	0.95	Each
248 Chainstay ATB Bridge.	1.29	Each
250 Chainstay "Record" Bridge.	1.14	Each
251 Chainstay Bridge	0.92	Each

TITANIUM FRAME PARTS

SILVA

Bottom Bracket Sleeve. BSC.	39.11	Each
Brake Bridge.	13.32	Each
Bottle Boss. 9mm	3.54	Each
Gear Lever Boss.	10.96	Each
Front Deraillieur Boss	10.18	Each
Cable Guide.	3.14	Each
Seat Lug Bush (Similar in shape to the Silva 365).	7.45	Each
Quick Release for Hubs.	58.98	Pair
Rear Frame Ends. Semi Vertical or Vertical.	42.22	Pair



No. C-57-1 C-57

Monostay wishbone

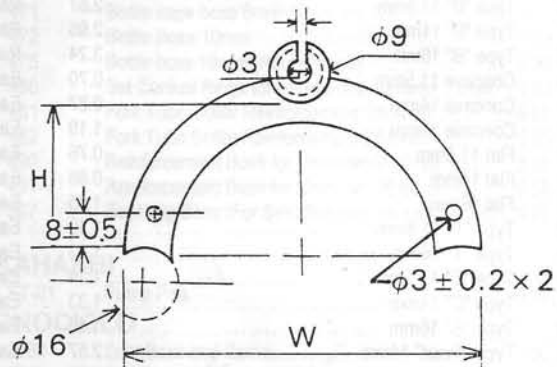
C-57 $\varnothing 16 \times 14$

C-57-1 $\varnothing 19 \times 16$

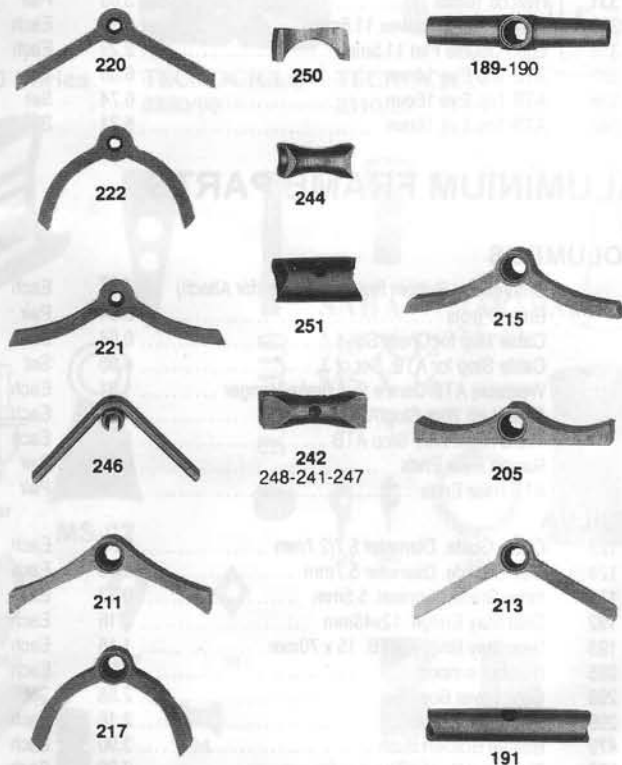
C-131



2.5 ± 0.5



SABA JS-58 - JS-66 - JS-43 CANTILEVER BRIDGE.



TOP EYES

SILVA

External Type

261	Type "B" 11.5mm	4.19	Pair
262	Type "B" 14mm	4.95	Pair
263	Concave 11.5mm	2.86	Pair
264	Concave 14mm	3.33	Pair
265	Flat 11.5mm	1.52	Each
266	Flat 14mm	1.71	Each
267	Convex 11.5mm	1.90	Each
268	Convex 14mm	2.35	Each
271	Double Convex 11.5mm	2.10	Each
272	Double Convex 14mm	2.48	Each
273	Type "C" 11.5mm	1.81	Each
274	Type "C" 14mm	2.19	Each
277	Type "T" 11.5mm	1.81	Each
278	Type "T" 14mm	2.19	Each
279	Helicoil 11.5mm	4.19	Pair
280	Helicoil 14mm	4.95	Pair
281	Type "R" 11.5mm	1.14	Each

Standard Internal Type Top Eye

306	Type "B" 11.5mm	2.57	Pair
307	Type "B" 14mm	2.95	Pair
308	Type "B" 16mm	3.24	Pair
310	Concave 11.5mm	0.70	Each
311	Concave 14mm	0.87	Each
312	Concave 16mm	1.19	Each
314	Flat 11.5mm	0.76	Each
315	Flat 14mm	0.86	Each
316	Flat 16mm	1.05	Each
318	Type "T" 11.5mm	1.10	Each
319	Type "T" 14mm	1.33	Each
320	Type "C" 11.5mm	1.14	Each
321	Type "C" 14mm	1.33	Each
322	Type "C" 16mm	1.43	Each
323	Type "Twist" 14mm	2.57	Each
325	Set 14mm. With 443 Seat Bolt	4.88	Set
326	Set 11.5mm. With 442 Seat Bolt	5.62	Set
327	Type "GU" 14mm	1.43	Each
328	Type "GU" 16mm	1.71	Each
329	Helicoil 11.5mm	2.67	Pair
330	Helicoil 14mm	2.86	Pair
331	Helicoil 16mm	3.05	Pair
333	Long Double Convex 11.5mm	1.90	Each
334	Long Double Flat 11.5mm	2.29	Each
337	ATB Top Eye 14mm	6.09	Set
338	ATB Top Eye 16mm	6.74	Set
340	ATB Top Eye 16mm	5.71	Set

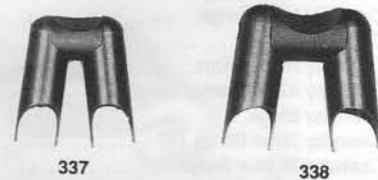
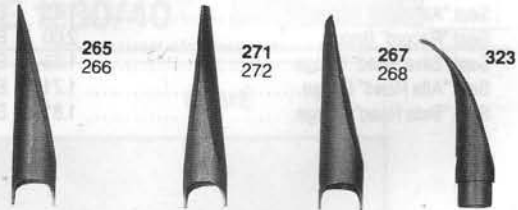
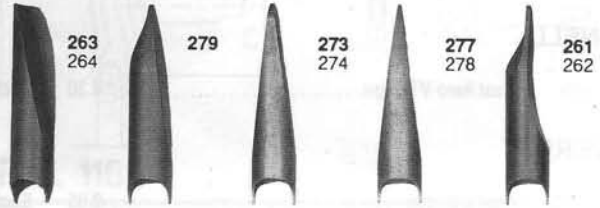
ALUMINIUM FRAME PARTS

COLUMBUS

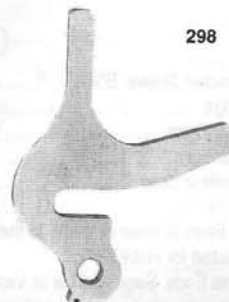
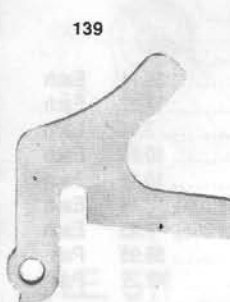
Unthreaded Bottom Bracket Sleeve (for Altech)	4.67	Each
Brake Pivots	6.64	Pair
Cable stop for Chain Stays	0.64	Each
Cable Stop for ATB. Set of 3.	4.98	Set
Weldable ATB Centre Pull Brake Hanger	1.91	Each
Triple Left Wire Stop ATB	3.70	Each
Triple Right Wire Stop ATB	3.70	Each
Racing Rear Ends	9.08	Pair
ATB Rear Ends	9.08	Pair

SILVA

123	Cable Guide. Diameter 5.7/2.7mm	0.50	Each
124	Cable Guide. Diameter 5.7mm	0.50	Each
139	Inner Guide Terminal. 5.5mm	0.22	Each
192	Seat Stay Bridge. 12x45mm	2.16	Each
193	Seat Stay Bridge. ATB. 15 x 70mm	1.15	Each
285	Number support	2.02	Each
298	Gear Lever Boss Set	2.88	Set
299	Front Mech Boss	2.16	Each
479	Bottom Bracket Bush	3.90	Each
599	Threaded Bottom Bracket Sleeve	7.60	Each
599A	Sleeve Insert for Carbon Fibre Frames	7.60	Each



ALUMINIUM PARTS



299

RE-INFORCEMENTS, SCREWS, SUPPORTS, BOSS.

BERTOLI

Bottom Bracket Paint Plug. Steel. Threaded. BSC - 2.10 Each
For more plugs See Page 23 under Sundries

CINELLI

Fork Blade Liners. (Circles) 0.26 Pair

GIPIEMME

1842 Seat Stay Diamond. 0.18 Each
1852 Chain Stay Diamond. 0.18 Each
Frame End Adjusters. 0.65 Set

SABA

M5x12mm Stainless Screws. 0.15 Each
M5x16mm Stainless Screws. 0.17 Each
M6x25mm Stainless Screws. 0.26 Each

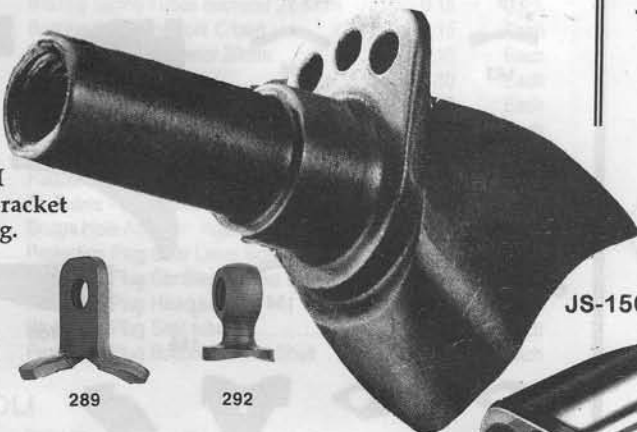
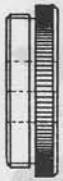
Re-inforcement for Seat Lug Ears. 0.06 Each
Fork Blade Liners. (4-Aces.) 0.26 Pair
MS02 Rear Cantilever Tower Boss. 0.45 Each

BRAKE PIVOTS

L7 Cantilever Boss. Round Front. 1.20 Pair
J+3 Cantilever Boss. Oval Front. 1.20 Pair
H8 Cantilever Boss. Rear. 1.20 Pair
J-3 Cantilever Boss. Rear. Opposite Radius. 1.20 Pair
(Radius same side as Spring Plate)

TYPE FOR LOW PROFILE BRAKES (JS-150)

N13 Cantilever Boss Round Blades. 28.6mm. 1.56 Pair
L15 Cantilever Boss Round Blades. 25.6mm. 1.56 Pair
J13 Cantilever Boss Oval Blades. 1.56 Pair
H15 Cantilever Boss Rear. 1.56 Pair



JS-150 Series

BERTOLI
Bottom Bracket
Paint Plug.



296 289 292



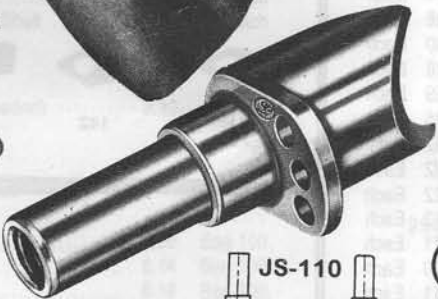
291 286 302



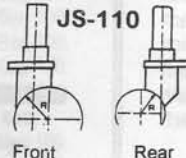
287 297



471-472 475



JS-110



Front Rear

MS-02



288



362



369



367



361



449



359



366



358



365



363



294



293



567



490



491

SILVA

141	Top Tube Re-inforcement.	0.21	Each
286	Cast Front Mech. Support.	2.81	Each
287	Pump Peg Support.	0.17	Each
288	Top Mount Gear Lever.	2.86	Each
289	Number Bracket Support.	0.37	Each
291	Front Derailleur Boss.	0.57	Each
292	Number Bracket. Threaded.	0.81	Each
293	Pannier Boss. Front. 19mm.	0.30	Each
294	Pannier Boss. Rear. 15mm.	0.29	Each
296	Gear Lever Boss.	0.29	Each
297	Chain Hanger Peg.	0.16	Each
302	Triangular Pannier Support.	6.10	Pair
358	ATB Bush. 16mm.	0.95	Each
359	ATB Bush. 20mm.	1.33	Each
361	Bottle Cage Boss. Re-Inforcement.	0.08	Each
362	Brake Bridge. Re-Inforcement.	0.08	Each
363	Seat Lug Boss	0.68	Each
365	Seat Lug Bush.	0.48	Each
366	Seated seat lug bush	0.95	Each
367	For Top Tube Inner Wire.	0.08	Each
368	Entry Guide for Art. 150.	0.27	Each
369	For Top Tube Inner Wire.	0.11	Each
449	Seat Boss (Ears) for Earless Seat Lug.	2.95	Each
471	Bottle cage boss 8mm	0.09	Each
472	Bottle Boss 10mm	0.09	Each
475	Bottle boss 10mm (Round head)	0.09	Each
480	Set Conical Rings for Head Tube diameter 32mm	1.93	Set
481	Fork Tube Collar Reinforcement 25.4mm	0.92	Each
482	Fork Tube Collar Reinforcement 28.6mm	1.05	Each
490	Reinforcement Bush for Unicrown 25.4mm	3.00	Each
491	Reinforcement Bush for Unicrown 28.6mm	3.50	Each
567	Seat Lug Boss (For Seat Bolt see Silva 445 P.23).	4.76	Each

TAKAHASHI

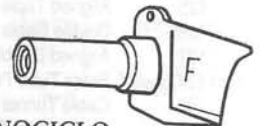
ST-01 Pump Peg. 0.36 Each

TECNOCICLO

2280 Seat Boss and Screw. 0.50 Set
2310 Cantilever Brake Boss. Pressed. Front 0.80 Pair
2320 Cantilever Brake Boss. Pressed. Rear 0.80 Pair



TECNOCICLO
2280/90



TECNOCICLO
2310/20



SABA
M5 X 12
M5 X 16
M6 X 25

TAKAHASHI
ST-01



1842



1852



481



480

CABLE TUNNELS/STOPS/GUIDES

CINELLI

310	Top Mount Front Mech. Guide	0.20	Each
311	Top Mount Rear Derailleur Guide	0.15	Each

EVEREST

Microfusion Parts			
C33-B	Single Stop (7mm x 14.3mm R)	1.66	Each
C33-C	Monostay Tower Cable Stop (7mm x 9.5mm R)	1.73	Each
C33-D	Gear Cable Stop - Cast (5mm x 13.5mm R)	1.68	Each
C33-1	Threaded Carrier Fixing Boss M5 - Cast	2.04	Each
C33-2	Double Stop (7mm x 15.9mm R)	1.73	Each
C33-3	Triple Stop (7mm x 15.9mm R)	1.80	Each
C33-4	Triple Stop (6.2mm)	1.80	Each
C33-8	Cable Stop - Double for 25.4mm tube. (6.2 x 12.7)	2.73	Each
C33-9	Cable Stop - Double for 28.6mm tube. (6.2 x 15)	2.73	Each

LONG SHEN

Microfusion Parts			
LA43C-1	Triple Cable Stop - Cast	1.80	Each
LA53C	Triple Stop Cast - Small	1.60	Each
LA51C	Single Small Tower Stop Cast	1.30	Each

SABA

Nylon	U/Bracket Tunnel. Double. Rivet or Screw Type	0.25	Each
Nylon	Under Bracket Tunnel. Triple	0.25	Each

SILVA

101	Type "O" Inside Diameter 5.7mm	0.27	Each
102	Type "C" Inside Diameter 5.7mm	0.27	Each
103	Type "B" Inside Diameter 5.7mm	0.27	Each
104	Type Competition Inside Diameter 5.7mm	0.28	Each
105	ATB Guide. Inside Diameter 6.5mm	0.24	Each
106	Type "D" Inside Diameter 5.7mm	0.16	Each
107	Cable Entry Length 14mm	0.28	Each
108	Cable Entry Length 24mm	0.29	Each
109	ATB Guide. Inside Diameter 6.5mm	0.24	Each
110	Type G. Milled	0.35	Each
111	ATB Guide. Inside Diameter 6mm	0.24	Each
112	Triple ATB Stop-Oblique	1.54	Each
113	Double ATB Stop-Oblique	1.14	Each
114	106 Without Milling	0.14	Each
115	106 - 9mm. ATB.	0.19	Each
116	Triple ATB Stop-Horizontal	1.57	Each
125	Aligned Triple Guide	1.80	Each
126	Double Cable Tunnel	1.16	Each
127	Aligned Double Cable Tunnel	1.16	Each
137	Brass Tube 7x6 Diameter. For Complete Cable.	1.48	Each
140	Cable Tunnel	0.18	Each
141	Inner Guide Terminal D.7mm. For 150 Brass Tube	0.21	Each
142	Inner Guide Terminal Diameter 5.5mm.	0.14	Each
143	Underbracket Tunnel. 25mm	0.38	Each
144	Underbracket Tunnel. 33mm	0.40	Each
145	Economy Gear Stop	0.18	Each
146	Underbracket Tunnel. 55mm	0.59	Each
147	Set Underbracket Tunnels with Teflon.	1.95	Set
150	Brass Inner Guide with 2x368. For Inner Wire.	1.52	Set
151	Divers Helmet Stop. (For Stepped Ferrule)	0.22	Each
152	Divers Helmet Stop. (For Plain Ferrule)	0.22	Each
153	35mm Tunnel (Art. 147)	0.62	Each
154	55mm Tunnel (Art. 147)	0.71	Each
155	Teflon Plug (Art. 147)	0.20	Each
156	Teflon Tube (Art. 147)	0.11	Each
158	Underbracket Triple Guide	6.35	Each
368	Entry Guide for 150	0.27	Each
589	Chain Pully Derailleur	3.05	Each

TAKAHASHI

TT-08	Cable Stop	0.25	Each
TT-10	Cable Stop	0.22	Each
TT-13	Wire Cover	0.20	Each
TT-15	Wire Cover	0.20	Each
SC-24	Top Eye Plate	0.20	Each
SS-08	Braze-on Mudguard Eye	0.20	Each

TECNOCICLO

BP2134	Triple Stop	0.40	Each
BP2135	Double Stop	0.37	Each
2110	Triple Down Tube Guide Plastic	0.25	Each



CINELLI
310/311

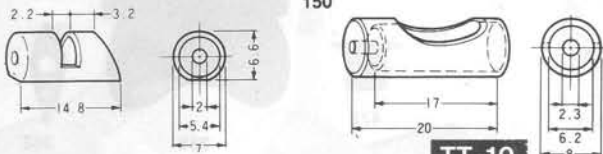
EVEREST



LA51C



LA43C-1/LA53C Triple Stop



TT-10

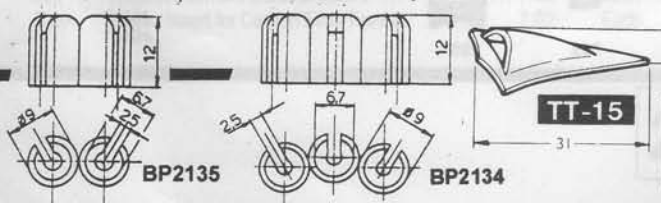


TT-13 Internal Wire Cover

TAKAHASHI



Nylon Underbracket Tunnels (2 or 3)



BP2135

BP2134

WASHERS, CHROMED ITEMS, SUNDRIES

SILVA

148	5mm. Wire Terminal.	4.29	Bag 100
149	7mm. Wire Terminal.	5.25	Bag 100
162	ATB Wire Terminal.	4.29	Bag 100
163	ATB Wire Terminal.	5.25	Bag 100
295	Gear Lever Washer Alloy	0.24	Each
426	Gear Lever Thumbscrew.	1.52	Each
427	Rear Brake Nut.	0.33	Each
428	Front Brake Nut.	0.34	Each
441	Paint Plug for 471.	0.19	Each
442	Seat Pin Bolt. 12mm.	0.88	Each
443	Seat Pin Bolt. Long.	1.24	Each
444	Seat Pin Bolt.	1.05	Each
445	Seat Bolt for 567.	1.58	Each
446	Seat Pin Bolt. 10mm.	0.76	Each
479	Aluminium Bottom Bracket Bush.	3.90	Each
500	Brazing Spring 8.7mm	0.05	Each
501	Brazing Spring 9.7mm	0.05	Each
502	Brazing Spring 10.5mm	0.05	Each
503	Brazing Spring 10.7mm	0.05	Each
504	Brazing Spring 11.2mm	0.05	Each
505	Brazing Spring 11.8mm	0.05	Each
506	Brazing Spring 12.5mm	0.05	Each
507	Brazing Spring 14.2mm	0.05	Each
511	Teflon Gear Lever Washer	0.11	Each
512	Teflon Gear Lever Friction Washer.	0.11	Each
513	Outer Gear Lever Boss Washer.	0.43	Each
520	SL 3 Main Tubes - Star Shape	48.00	Set
524	ATB Safety Bolt.	1.90	Each
525	Bottom Bracket Spindle Washer Serrated	0.16	Each
536	Steel Filler for Fork crown	0.16	Each
540	Brazing Spring Tubes diameter 28.6mm	0.15	Each
541	Brazing Spring for Fork Crown	0.15	Each
542	Brazing Spring diameter 20mm	0.15	Each
580	Chain Tensioner	1.10	Each
582	Chain Tensioner - Full width	2.80	Each
584	Plastic Spacer 105-126mm	0.29	Each
585	ATB Safety Bolt.	1.57	Each
595	Plastic Spacer 105-130mm	0.29	Each
601	SL Tubes - Octagonal Shape (3 main tube set)	48.00	Set
669	Bridge Hole Adapter. Allen Key to 6mm.	0.34	Each
721	Protection Plug Gear Lever Boss	0.15	Each
722	Protection Plug Cantilever Brake Boss	0.15	Each
723	Protection Plug Head tube	0.27	Each
724	Protection Plug Seat tube	0.27	Each
725	Protection Plug Bottom Bracket Shell	0.27	Each

BERTOLI

Paint Plug (Knurled Steel - Threaded) 2.10 Each

CASIRAGHI Brake/Gear Parts.

4.5mm Gear Ferrule Plain.	7.26	Bag 100.
4.5mm Gear Ferrule Stepped.	8.14	Bag 100.
5 mm Brake Ferrule Plain.	8.14	Bag 100.
5 mm Brake Ferrule Stepped	8.58	Bag 100.
Weinmann Brake Ferrules	0.11	Each
Wire Terminals 1.6mm diameter. Short	1.27	Bag 100.
Wire Terminals 1.9mm diameter. Short.	1.27	Bag 100.
Wire Terminals 1.6mm diameter. Long.	7.92	Bag 100
Wire Terminals 1.9mm diameter. Long.	7.92	Bag 100



Shaped Tubing. 4" Round Tube each end. Art. 520

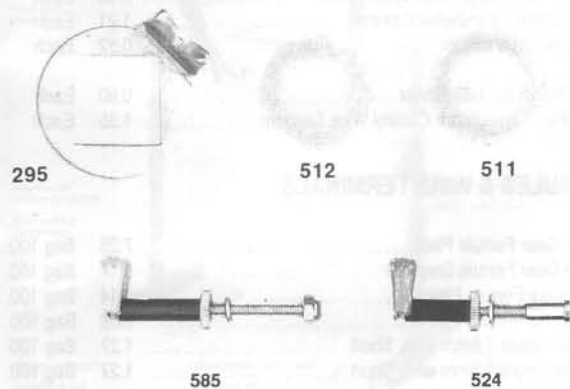
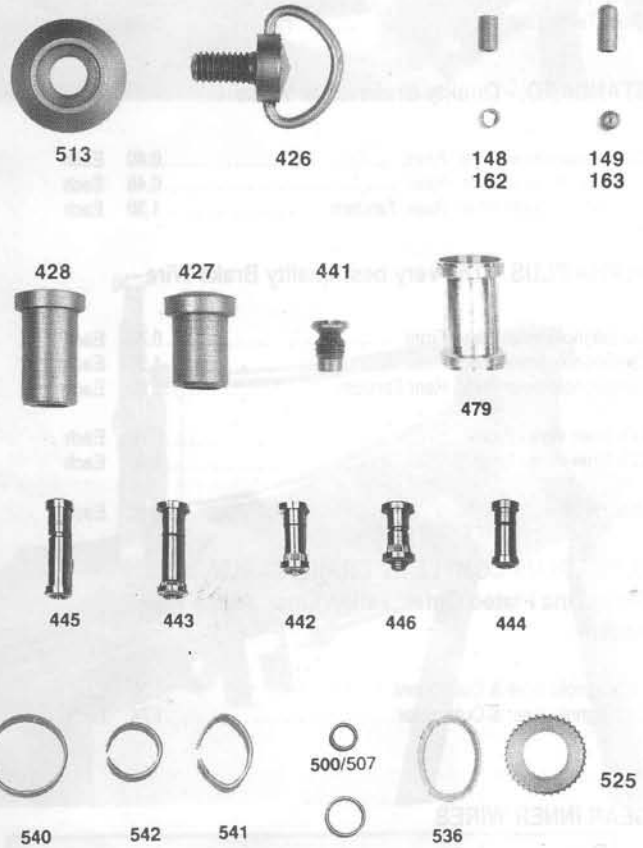
SILVA



Art. 601



WASHERS, CHROMED ITEMS SUNDRIES



BRAKE & GEAR TRANSMISSION PARTS

SABA BRAKE CABLES

Outer Casing, galvanized with Teflon Liner. Red.	7.04	10m
Outer Casing, galvanized with Teflon Liner. Black.	7.04	10m
Outer Casing, galvanized with Teflon Liner. Blue.	7.04	10m
Outer Casing, galvanized with Teflon Liner. Gold.	7.04	10m
Outer Casing, galvanized with Teflon Liner. Silver.	7.04	10m
Outer Casing. Black. Impregnated with Oil/Grease.	10.34	25m
Outer Casing. White. Impregnated with Oil/Grease.	10.34	25m
White Teflon Liner. Roll.	3.00	10m
Black Teflon Liner. Roll.	3.00	10m

STANDARD. - Quality Brake Inner Wires

Campagnolo Inner Wire - Front	0.40	Each
Campagnolo Inner Wire - Rear	0.48	Each
Campagnolo Inner Wire - Rear. Tandem	1.30	Each

ALPHA PLUS. - The very best quality Brake Wire

Campagnolo Inner Wire - Front	0.70	Each
Campagnolo Inner Wire - Rear	1.20	Each
Campagnolo Inner Wire - Rear Tandem	1.60	Each
ATB Inner Wire - Front	0.70	Each
ATB Inner Wire - Rear	1.20	Each
Straddle Wire	0.55	Each

ALPHA PLUS COMPLETE BRAKE CABLE Silver Zinc Plated Outer. Teflon Liner. Alpha Plus Inner.

Campagnolo Inner & Outer Front	1.20	Each
Campagnolo Inner & Outer Rear	1.74	Each

GEAR INNER WIRES

Campagnolo - Gear Inner Wire. Rear	0.50	Each
Campagnolo - Gear Inner Wire. Front	0.33	Each
Campagnolo - Handlebar Control.	1.21	Each
ATB Gear Wire - Rear	0.52	Each
Alpha Plus Rear Gear Inner	0.80	Each
Alpha Plus - Handlebar Control Wire.Tandem	1.35	Each

FERRULES & WIRE TERMINALS

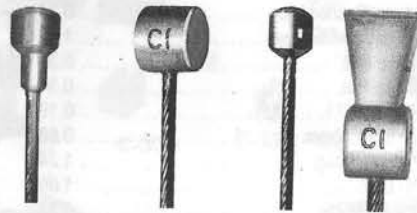
4.5mm Gear Ferrule Plain	7.26	Bag 100
4.5mm Gear Ferrule Stepped	8.14	Bag 100
5mm Brake Ferrule Plain.	8.14	Bag 100
5mm Brake Ferrule Stepped	8.58	Bag 100
Wire Terminals 1.6mm wire. Short	1.27	Bag 100
Wire Terminals 1.9mm wire. Short	1.27	Bag 100
Wire Terminals 1.6mm wire. Long	7.92	Bag 100
Wire Terminals 1.9mm wire. Long	7.92	Bag 100
Weinmann Brake Ferrules	0.11	Each



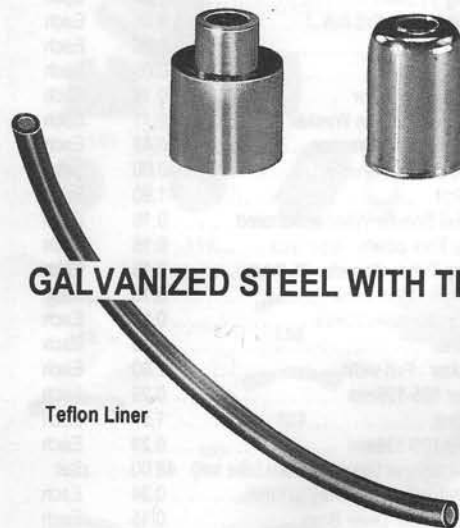
Inner Wire Terminals



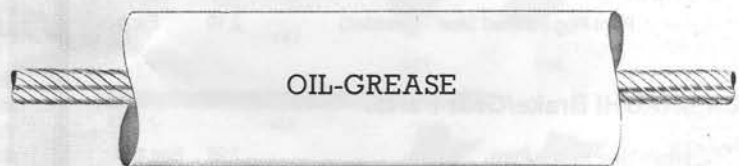
HIGHEST QUALITY CABLES AND INNER WIRES



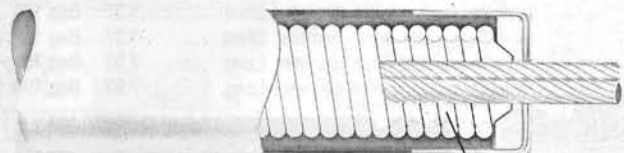
A range of the highest quality Cables and Inner Wires as supplied to major Italian Brake Manufacturers.



Teflon Liner



OIL-GREASE



GRASSO

MADE IN ITALY

OTHER ITEMS

ALIGNMENT TABLE FOR FORKS AND FRAME.

For Alignment of Complete frame, or just
Front Forks Standard and Oversize. 875.00 Each

REPAIR/STORAGE STAND

Jollybike Bicycle Stand 49.95 Each

BUZZI BICYCLE STANDS

42	Double Floor Stand	31.79	Each
44	Quadruple Floor Stand	56.89	Each
50	Cycle Stand	4.02	Each
51	Cycle Stand	9.87	Each
52	Cycle Mini Stand	5.02	Each
53	Single Raised support	21.92	Each
54	Rear Support	10.88	Each
55	Double Raised support	36.39	Each
58	Four frame support with casters	61.49	Each
59	Tripod base for Truing Jig	14.22	Each
60	Tripod with Support	37.65	Each
61	Tool tray	6.27	Each
62	Wheel building Jig	16.31	Each
70	Wheel building Jig	29.78	Each
71	Wheel building Jig	59.40	Each
73	Wall mounted cycle support	7.11	Each
76	Professional Work Stand	39.32	Each
81	Raised single support	28.44	Each
82	Single work stand	76.13	Each
83	Folding work stand single	61.49	Each
84	Double Workstand	114.62	Each
85	Frame Support - 6 Frames	76.13	Each
86	Frame Support - 5 Frames	34.72	Each
90	Work Stand	50.20	Each
94	Wall mounted cycle holder	34.72	Each
95	Single Wall Holder	6.27	Each
96	Wall Holder	17.57	Each
97	Double Wall Holder plus trays	40.16	Each
98	Double Cycle Holder with Trays	56.05	Each
100	Professional work stand	112.94	Each

Special Prices to Wholesalers for direct orders.

SILVA HANDLEBAR TAPE

630	Shaded Design. Blue, Yellow, Black, or Red	2.16	Box
631	One Colour Printed	2.08	Box
633	Embossed Self Colour.	1.64	Box
634	Fluorescent. 1 and 2 colour designs.	2.16	Box

672 Nastro Cork Handlebar Tape
complete with Chrome
Handlebar Plugs. 4.40 Box
Colours:- Natural, Yellow,
Violet, Dark Violet, Black
Blue, Red and multi-colour designs.

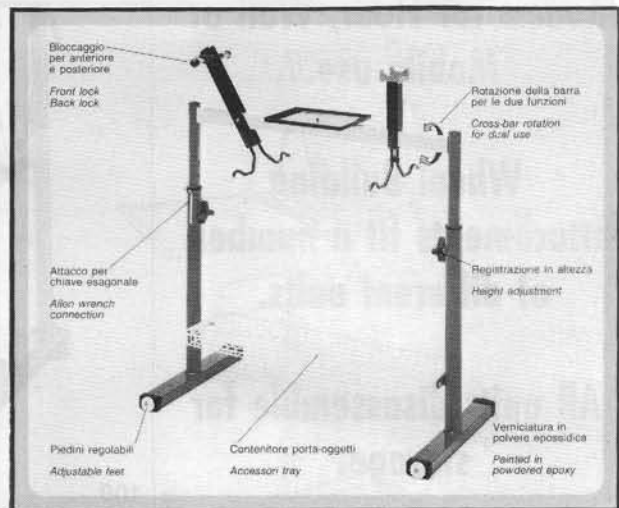
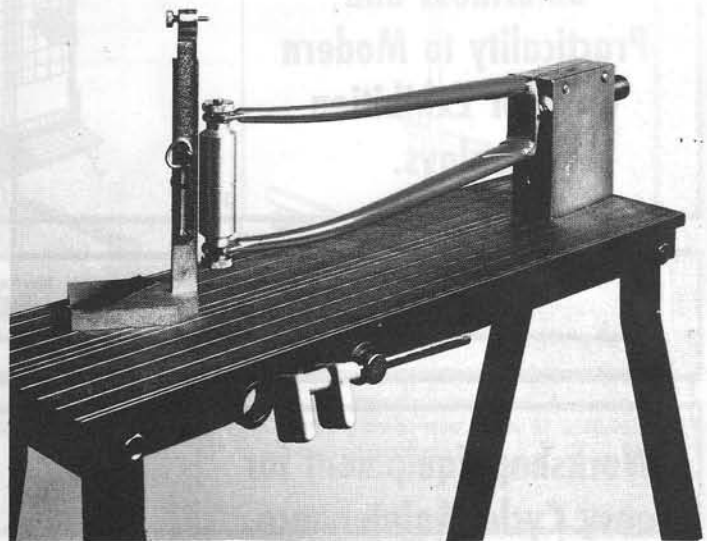
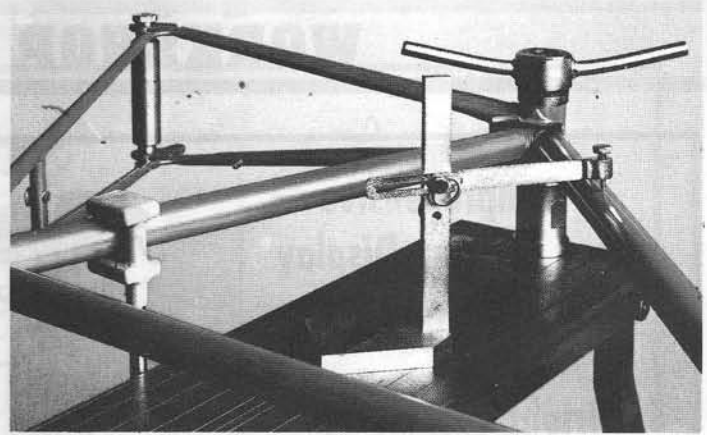
771 Nastro Top 2000 Cork tape with chrome
Handlebar plugs. Multicolour designs. 4.96 Box

Dispensers also available - filled.

SILVA

99	Disc Wheel Pump Connector.	5.24	Each
	Disc Wheel Pump Connector Washer.	0.36	Each
522	Saddle Spring ATB. Short.	8.10	Each
523	Saddle Spring ATB. Long.	8.10	Each
580	Chain Tensioner	1.10	Each
583	ATB Toe Clips.	2.67	Pair
584	Plastic Spacer - 105-126	0.29	Each
595	Plastic Spacer - 105-130	0.29	Each
638	Handlebar Plugs Chrome. 150 pcs.	24.00	Box
638	Handlebar Plugs Chrome.	0.32	Pair
639	Handlebar Plugs Coloured. 150 pcs.	15.77	Box
639	Handlebar Plugs Coloured.	0.21	Pair

Alignment Table for Forks and Frames.



JOLLY BIKE STAND

Jolly Bike Stand. Suitable for Storage of two cycles off the ground.
Twist crossmember and it becomes a stable workstand with
tool and accessory tray.

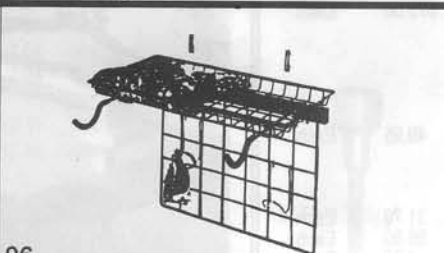
Chromed, with Nylon Coated parts for long life. Adjustable for
Height.

BiciSupport[®]

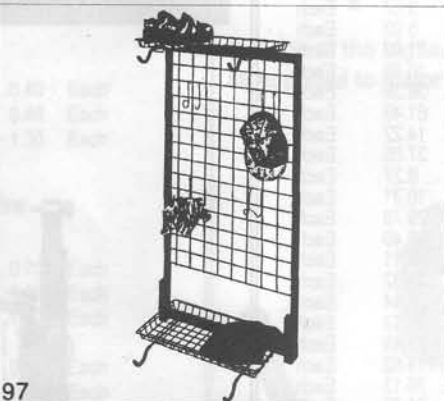
WORKSHOP & DISPLAY UNITS

A Comprehensive range of Shop Display Equipment from Italy.

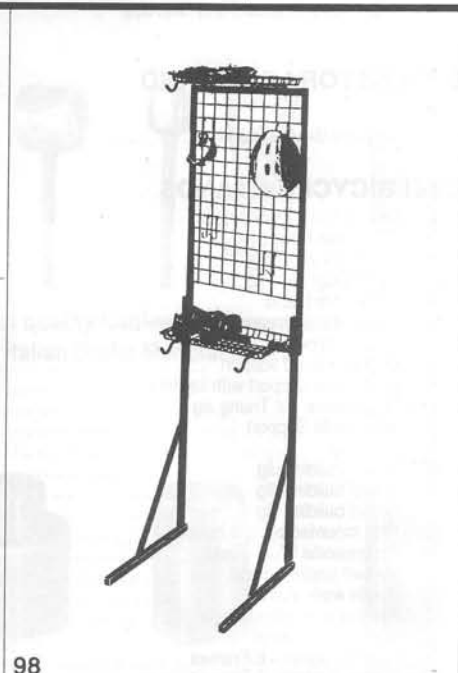
Bright Chrome or Durable Polyurethane paint finish brings Smartness and Practicality to Modern Cycle or Exhibition Displays.



96



97



98

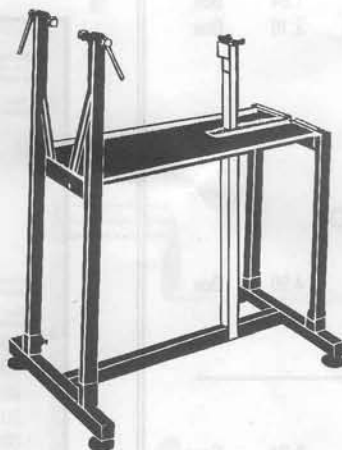
Art. 96. Accessory tray/rack. Also holds Cycle Frame. Measures 35 x 35 x 47cm.
 Art. 97. Wall mounted Frame and Accessory rack. With two trays and holders for 2 frames. Measures 35 x 54 x 110cm.

Art. 98. Freestanding Double Frame and Accessory rack. Measures 53 x 54cm. Stands 195cm high.

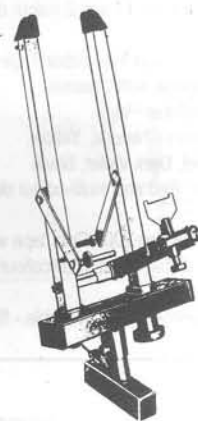
Workshop Equipment for easy Cycle Maintenance. Models for Floor, Wall or Mobile use.

Wheel Building attachments fit a number of different units.

All units disassemble for storage.



100

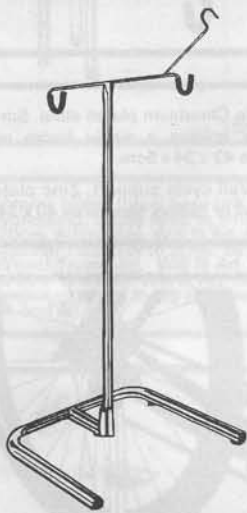


71

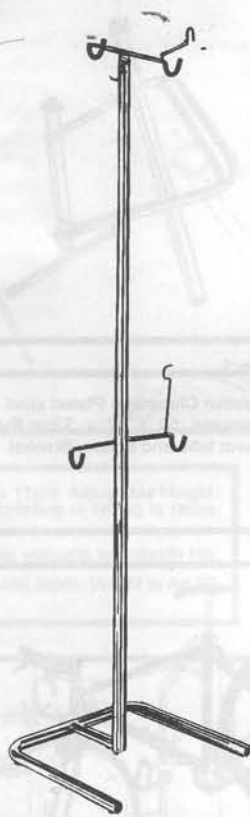
Art. 100. A workshop stand for all sizes of Bicycle - big or small. Articulated arm fits under Bottom Bracket. Measures 49 x 75 x 96cm.

Art. 71. Professional Wheel Truing Jig. Measures 50 x 23 x 7cm. Adjustable width. Will fit Art. 60, 76, 82, 90.

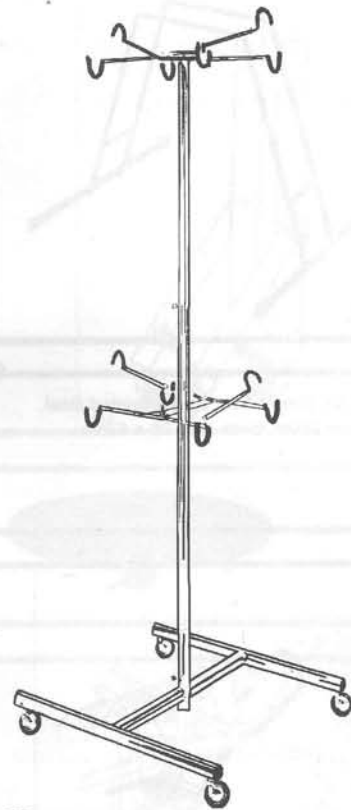
GENEROUS DISCOUNTS FOR COMPREHENSIVE ORDERS



53



55

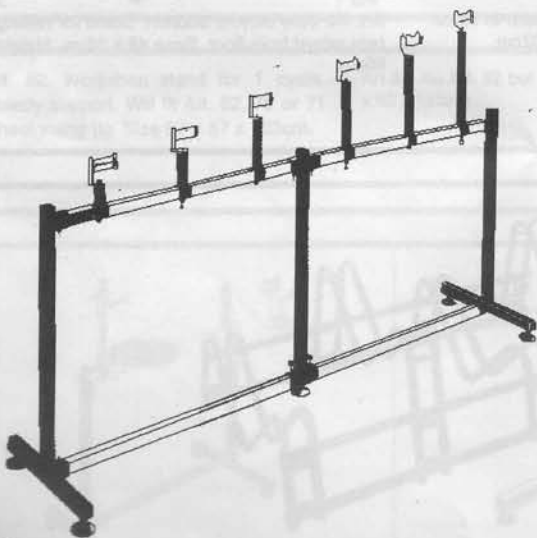


58

Art. 53. Single raised support. Chromium plated steel. Base 47 x 37 cm. Height 90 cm.

Art. 55. Double raised support. Chromium plated steel. Base size 54 x 48cm. Height 194cm.

Art. 58. Raised support for 4 cycles. Chromium plated steel. Base 67 x 70cm. Mounted on casters.



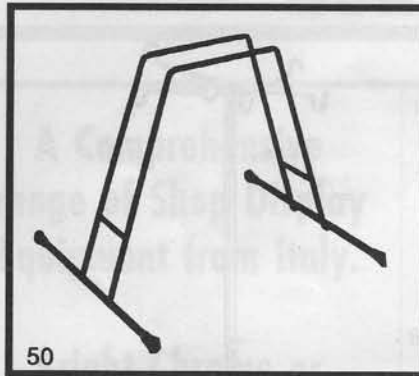
85



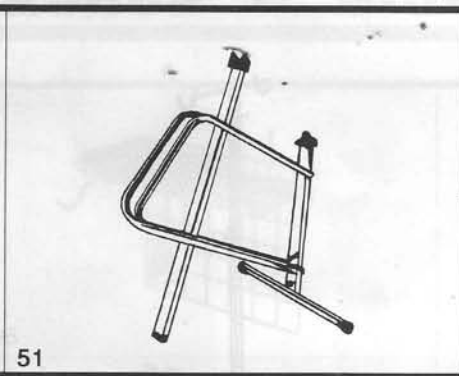
86

Art. 85. Painted and chromed mount for 6 bicycles. Holds frames at the Bottom Bracket. Disassembles. Size 100 x 40 x 180cm

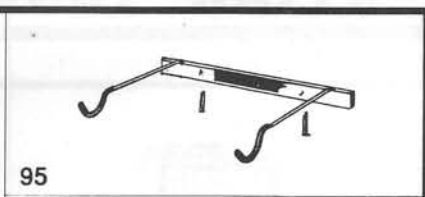
Art. 86. Portable Frame Holder. Height 94cm. Base 66 x 51cm. Will hold 5 frames. Finished in high quality Polyurethane and Chrome.



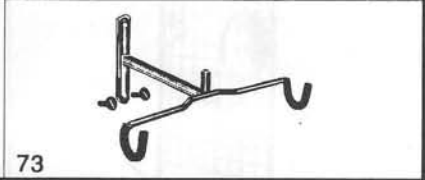
50



51



95



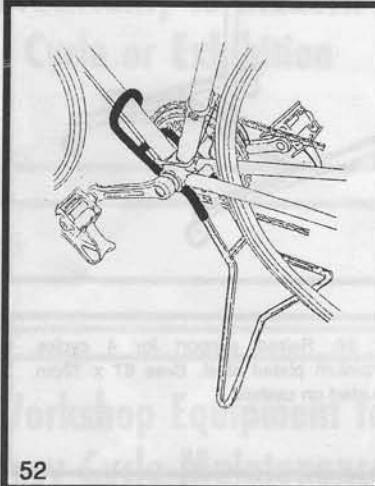
73

Art. 50. Simple floor stand. Painted steel. Height 28cm. Base area 26 x 42cm.

Art. 51. Attractive Chromium Plated steel floor support. Measures 50 x 42 x 33cm. Rubber support of down tube and Bottom Bracket.

Art. 95. In Chromium plated steel. Screws into wall. For holding a single frame or Cycle. Measures 43 x 34 x 5cm.

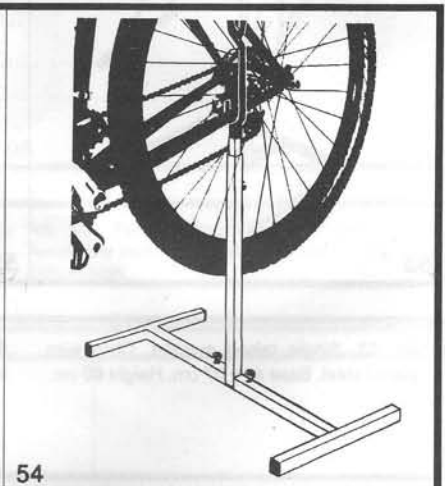
Art. 73. Wall cycle support. Zinc plated steel. Fits to wall or ceiling. Measures 40 x 24 x 20cm.



52



81

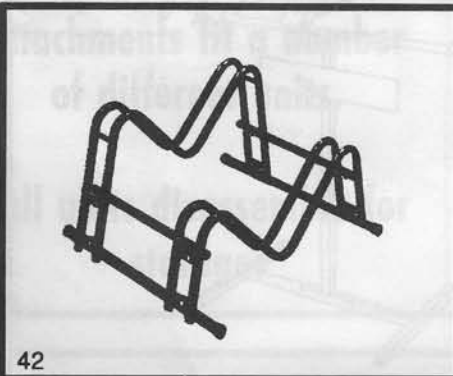


54

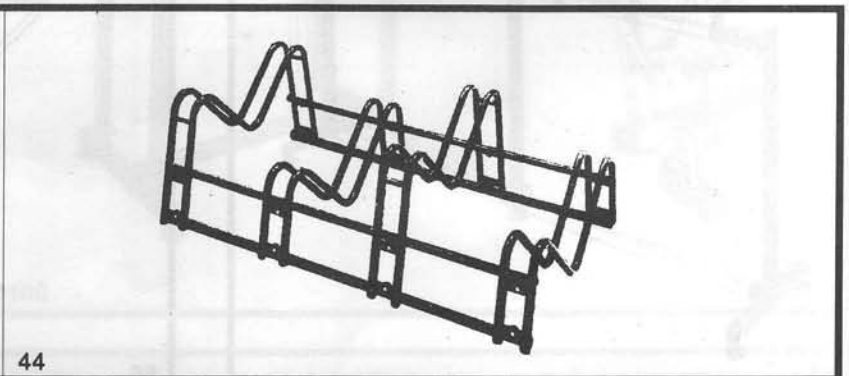
Art. 52. Ministand for single Bicycle. Plated with Plastic protection.

Art. 81. Economical Single Bicycle Support. In white painted steel. Base 53 x 47cm. Height 132cm.

Art. 54. Jolly Bicycle Support. Stand for raising rear wheel from floor. Base 48 x 26cm. Height 65cm.



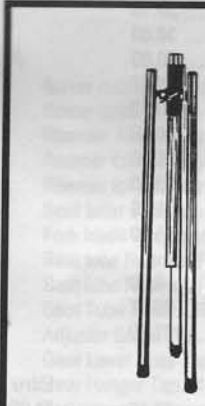
42



44

Art. 42. Painted Tubular floor support for two bicycles. Base area 66 x 58cm

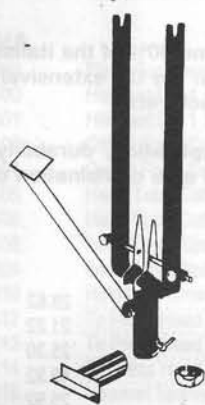
Art. 44. Painted Tubular floor support for four bicycles. Base area 66 x 115cm



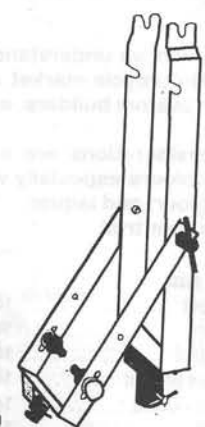
59



60



62

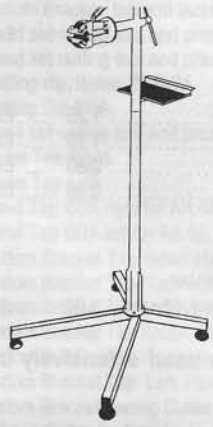


70

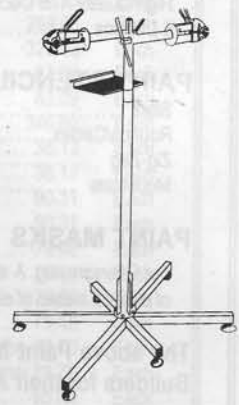
Art. 59. Chrome plated tripod base unit in steel. Size 67 x 11 x 11cm. Adjustable Height.
 Art. 60. Workstand. Easily folds to small size. Suitable for workshop or taking to races. Height 120cm. Adjustable. Will fit Art. 62, 70, or 71.
 Art. 61. Optional Tool Tray to fit Art. 60. Measures 270 x 4cm.
 Art. 62. Wheel Truing Jig. Will fit Art. 60. Includes detachable vice grip and nipple key. Measures 50 x 17 x 7cm. Will fit Art. 60, 76, 82, 84, and 90.
 Art. 70. Aluminium wheel truing jig. Measures 55 x 15 x 4cm. Satin finish. Will fit to Art. 60, 76, 82, 84, and 90.



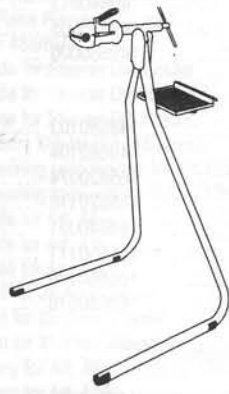
61



82



84



83

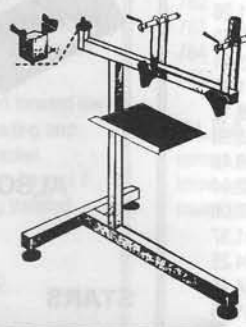
Art. 82. Workshop stand for 1 cycle. Steady support. Will fit Art. 62, 70 or 71 wheel truing jig. Size 67 x 57 x 133cm.

Art. 84. As Art. 82 but for 2 cycles. Measures 90 x 60 x 133cm.

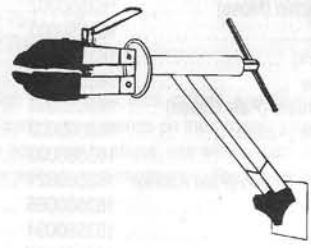
Art. 83. Folding Workshop Stand for 1 Cycle. Tool Tray. Measures 70 x 70 x 128cm.



76



90



94

Art. 76. Workshop Bicycle support. Finished in Chrome and high quality Polyurethane paint. Tool Tray. Also possible to mount on Art. 62, 70, or 71. Measures 45 x 80 x 97cm.

Art. 90. Measures 87 x 48 x 66cm. Tool Tray.

Art. 94. Wall mounted Bicycle Holder. Ideal for limited workshop space. Able to twist frame 360 degrees. Measures: 58 x 40 x 10cm.

IVIS HIGH QUALITY PAINTS

For 1994 we have added a number of new colours to our extensive range. We have marked these with a star (*) for your consideration.

Ivis Paints, which we understand have some 80% of the Italian Bicycle and Motorcycle market are used in the UK extensively by both major custom builders, and manufacturers.

Important considerations are ease of application, durability, and brilliant colours especially when used as a combination of undercoat, colour, and laquer.
May we invite your trial.

GLOSS - 4.5kg. size.

White Brilliant	142510047	28.62
Pink Brilliant	143510070	21.22
Yellow Brilliant	143520067	25.30
* Yellow Citrus Brilliant	143520162	45.92
Red Brilliant - Corsa	143530041	25.92
* Red Brilliant	143530070	33.35
* Red Ferrari Brilliant	143530080	34.80
* Fuxia Brilliant	143540065	42.78
* Viola Brilliant	143540074	42.78
* Viola Brilliant - Scuro	143540080	34.80
* Blue Brilliant - Jumpers Trek	143560091	33.00
Black Brilliant	144570005	30.28
Yellow Fluorescent	149620002	72.10
Orange Fluorescent	149630003	56.36
Red Fluorescent	149640004	67.14
Pink Fluorescent	149640013	67.46
Green Fluorescent	149650005	58.93
Blue Fluorescent	149660006	72.00

PEARL - 4.5kg. size.

Fluorescent Red	149680103	59.40
Fluorescent Pink	149680104	59.76
Yellow	165620074	39.87
S-Yellow	165620118	49.20
* Viola Bordeaux	165640051	48.09
Green Chiaro (Pale)	165650111	46.22
S-Blue	165660115	51.03
White	165680016	27.86

METALLIC - 4.5kg. size.

Yellow	163520003	28.80
S-Oro (Gold)	163520092	42.60
Red	163530057	33.80
S-Antico Orange	163530088	36.82
Viola Chiaro (Pale)	163540001	31.89
Violet	163540002	26.46
Burgundy	163540051	39.47
Dark Cherry	163540065	43.11
Fuxia (Pink)	163540068	44.10
S-Viola	163540091	42.63
S-Rubino (Ruby)	163540093	33.54
Green Chiaro (Pale)	163550001	31.28
Green Muschio (Moss)	163550002	29.52
Green	163550003	35.91
Green (Dark)	163550023	31.28
S-Malachite	163550089	39.18
S-Verde Chiaro (Pale Green)	163550095	35.36
Blue Azzuro (Azure)	163560002	28.49
Blue	163560003	32.94
Blue Azzuro Chiaro (Pale Azure)	163560021	28.00
Blue Cobalt	163560066	31.37
S-Blue	163560094	34.25
S-Oceano	163560096	34.45
Grey	163570001	31.95
Black	163570023	29.70
Silver (Fine Grain)	163580001	40.92
Silver	163580020	49.46
S-Blue Avio	165660109	49.95

LACQUER - 4.5kg. size.

Clear	165700049	23.58
Clear. 18kg.	165700049B	91.40
Yellow	165720192	38.00
Deep Red	165730106	39.18
Medium Red	165730193	38.00
* Viola	165740112	36.00
* Fuxia	165740156	35.27
Magenta	165740194	40.32
Green	165750195	36.56
* Medium Blue	165760128	36.00
Dark Blue	165760196	50.00
Glitter	165780016	26.36
Bronze	165790199	35.00

Universal Thinners. 5 Litres.	001000110	9.00
White Undercoat	140110020	20.57
White Undercoat (23.5kg)	140110020	107.40

SPECIALS - 4.5kg. size. Also 1 Litre.

		Litre	
Mottle Red	051000064	63.10	14.02
Mottle Green	051000065	43.07	9.57
Mottle Blue	051000066	50.58	11.24
Mottle Black	051000067	33.86	7.52

AFTERPAINTING OPERATIONS.

GIUSTI

Fluorescent Mountain Bike Decals.
To Brighten up the ATB. 5 Designs. 1.00 Each

High Quality ATB Decals
6 Designs. 3.50 Each

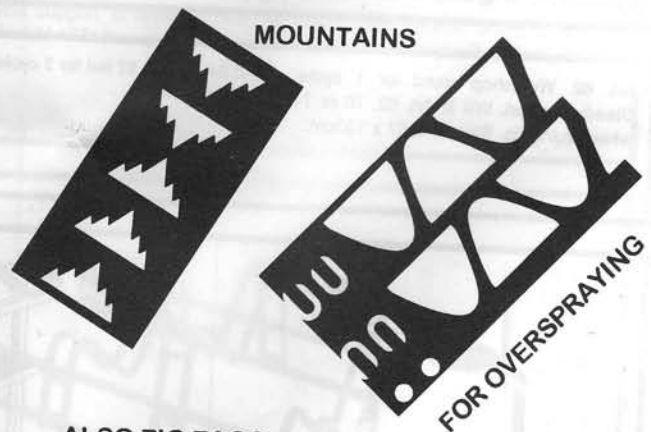
PAINT STENCILS

Stars 1.25 Each
Rounds/Circles 1.25 Each
Zig-Zag 0.80 Each
Mountains 0.80 Each

PAINT MASKS

For Overspraying. A sheet comprising a number of peel-off masks of similar shape. 5 Different Shapes. 1.00 Set

The above Paint Masks are those used extensively by Italian Builders for their Air Brush work.



ALSO ZIG ZAGS

STARS



ROUNDS/CIRCLES



HIGH SPEED CUTTERS & TOOLS

SILVA

22	Screw cutting Special Oil 250gr.	6.20	Tin
23	Screw cutting Special Grease 250gr.	6.20	Tin
24	Reamer. Morse taper 2 diameter 22.05 to 27.35	87.20	Each
26	Reamer for 337 Top Eye	62.48	Each
27	Reamer for 338 Top Eye	62.48	Each
28	Spot facer with pitch from 28.6 to 31.7	70.81	Each
29	Fork blade and standing rear tube reamer	23.15	Each
30	Seat tube Reamer. Fixed. 22.5-27.35mm.	65.03	Each
31	Seat tube Reamer. Fixed. 27.45-32.05.	75.86	Each
32	Spot Tube Facer. Pitch of teeth 32 to 40	90.31	Each
33	Adjuster Screw Tap. 3mm.	16.62	Each
34	Gear Lever Boss Tap. 5mm.	8.67	Each
35	Rear Hanger Tap. M10x1.	28.90	Each
36	Fork crown hole reamer and seat bolt.	21.68	Each
38	Single Seat Bolt Reamer.	25.29	Each
39	2 part Seat Bolt Reamer.	28.90	Each
40	Drill for Top Tube Passage.	28.90	Each
42	Head tube bearing race Reamer for 44.	50.58	Each
43	Crown Race Cutter. 26.4mm.	72.25	Each
44	Head Tube Bearing race Cutter. 30.07mm.	101.15	Each
45	Holder for 25/31.	46.96	Each
46	Holder for 43.	101.15	Each
48	Bottom Bracket tap and facing tool BSA.	582.85	Each
49	Brake bridge support for 189.	46.96	Each
50	Holder for 38 & 39.	12.28	Each
51	Bottom Bracket tap and facing tool. Italian.	582.85	Each
53	Head set cutting tool and press 30.07mm	289.00	Each
54	Head set cutting tool and press 34mm.	325.13	Each
55	Cutting die. Italian 25.5x24.	83.09	Each
56	Cutting Die BSA.	83.09	Each
58	Head set cutting tool and press 37mm	346.80	Each
60	Pedal Tap Right.	36.13	Each
61	Pedal Tap Left.	36.13	Each
64	Hand Tap BSA right for Art.48.	90.31	Each
65	Hand Tap BSA left for Art.48.	90.31	Each
66	Bottom Bracket Tap Italian-Hand.	79.48	Each
68	Bottom Bracket Tap Right Hand thread BSC-Hand.	79.48	Each
69	Bottom Bracket Tap Left Hand thread BSC-Hand.	79.48	Each
70	Bottom Bracket Tap Italian. Machine	79.48	Each
71	Bottom Bracket Tap Right Hand thread BSC-Machine.	78.70	Each
72	Bottom Bracket Tap Left Hand thread BSC-Machine.	78.70	Each
75	Bottom Bracket Facing Cutter.	65.03	Each
76	3-Piece Cutter for Seat Lug.	147.25	Set
77	Bridge Mill Cutter for Art. 83	42.40	Each
78	BBS Milling cutter for Art.48 and 51.	61.41	Each
79	Reamer Morse taper from 27.45 to 32.05.	108.38	Each
80	For Brazing Front Mechanism.	123.40	Each
81	Arm for 85.	252.88	Each
82	Vice Lock for 81.	130.05	Each
83	For Milling Ends of Brake Bridge.	505.75	Each
84	Brazing Jig for Braze On's.	694.30	Each
85	Central Pedestal.	289.00	Each
86	Bridge Holder (for 190/205)	46.96	Each
87	Bridge Holder (for 211)	46.96	Each
89	Bridge Holder (for 213)	46.96	Each

LA COMBINATA - A multifunction machine with reverse and forward low speed operations with cutting fluid circulation. For steering tube threading and internal reaming. Head tube reaming, seat tube reaming, bottom bracket threading and facing all on finished or unfinished frames. A leaflet can be sent if required. The price complete with all tools for racing frames including palletted wooden box ex factory.

..... Lire 13,150,000 Ex Works

Optional tools for oversize work Lire 3,125,000 Ex Works

Delivery time is 60 days from date of order with payment 1/3 at time of order, 1/3 at delivery, 1/3 at 60 days from invoice date.

Full Specification sent on request. One size seat and head reamer only included.

HIGH SPEED CUTTERS & TOOLS

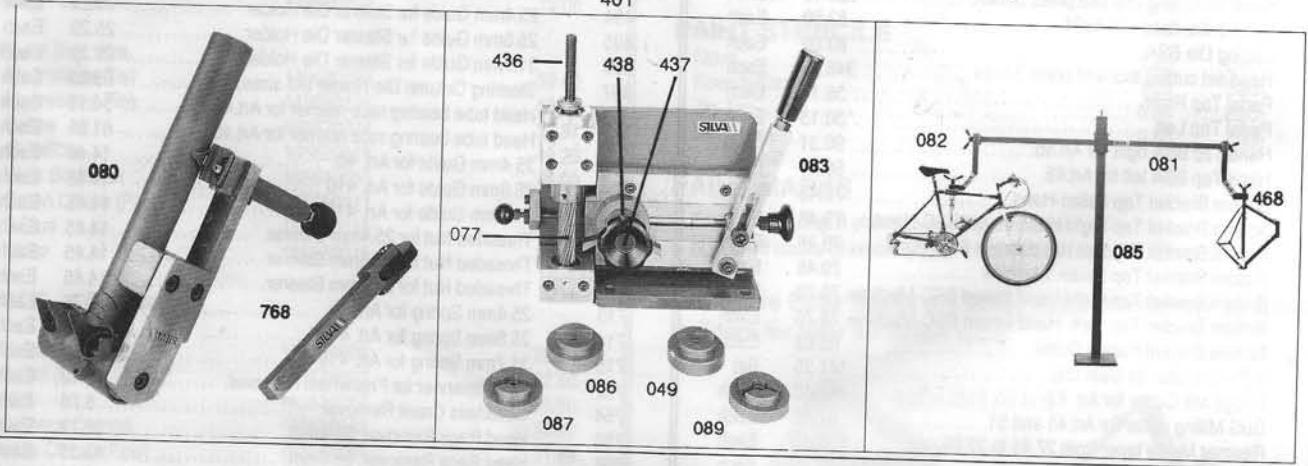
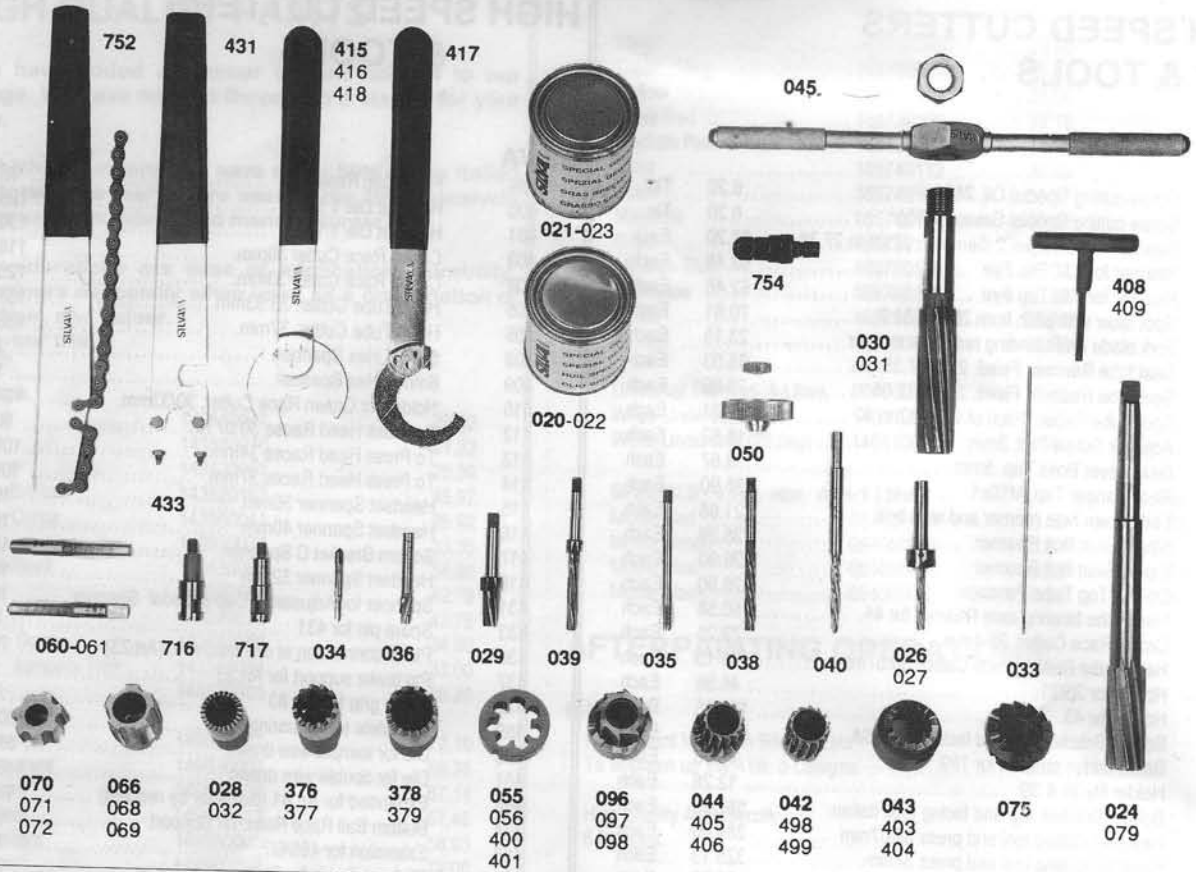
SILVA

399	Fixed Cup Remover.	93.93	Each
400	Headset Die 1 1/8".	126.44	Each
401	Headset Die 1 1/4".	130.05	Each
403	Crown Race Cutter 30mm.	116.00	Each
404	Crown Race Cutter 33mm.	125.00	Each
405	Head Tube Cutter. 33.93mm.	137.28	Each
406	Head Tube Cutter. 37mm.	158.95	Each
408	5mm T Hex Spanner.	1.66	Each
409	6mm T Hex Spanner.	1.81	Each
410	Holder for Crown Race Cutter. 30/33mm.	104.91	Each
412	To Press Head Races 30.07 (3).	90.31	Each
413	To Press Head Races 34mm.	101.15	Each
414	To Press Head Races 37mm.	101.15	Each
415	Headset Spanner 36mm.	10.12	Each
416	Headset Spanner 40mm.	10.12	Each
417	Bottom Bracket C Spanner.	10.12	Each
418	Headset Spanner 32mm.	10.12	Each
431	Spanner for Adjustable Cup & Pedal Spanner.	10.84	Each
433	Spare pin for 431.	0.72	Each
436	Pin of connection at drill machine. (Art.23)	79.48	Each
437	Pin brake support for Art.83	5.06	Each
438	Fixing grip for Art. 83	7.23	Each
459	Complete tool squaring fork	1300.50	Each
460	Die for sample wire drawn	578.00	Each
461	Die for double wire drawn	1156.00	Each
468	Expanded for Art.81 (diameter by request)	130.05	Each
484	Bottom Ball Race Removal Support.	68.63	Each
488	Extension for 485/6/7.	10.84	Each
494	25.4mm Guide for Steerer Die Holder.	25.29	Each
495	28.6mm Guide for Steerer Die Holder.	25.29	Each
496	31.7mm Guide for Steerer Die Holder.	25.29	Each
497	Steering Column Die Holder (All sizes).	65.03	Each
498	Head tube bearing race reamer for Art.405	54.19	Each
499	Head tube bearing race reamer for Art.406	61.95	Each
508	25.4mm Guide for Art. 46.	14.45	Each
509	28.6mm Guide for Art. 410	14.45	Each
510	31.7mm Guide for Art. 410.	14.45	Each
710	Threaded Nut for 25.4mm Steerer.	14.45	Each
711	Threaded Nut for 28.6mm Steerer.	14.45	Each
712	Threaded Nut for 31.7mm Steerer.	14.45	Each
713	25.4mm Spring for Art. 46.	5.78	Each
714	28.6mm Spring for Art. 410.	5.78	Each
715	31.7mm Spring for Art. 410.	5.78	Each
752	Whip Spanner for Freewheel Removal.	10.12	Each
754	Cotterless Crank Remover.	5.78	Each
755	Head Race Remover. 25.4mm.	36.13	Each
756	Head Race Remover. 28.6mm.	43.35	Each
757	Head Race Remover. 31.7mm.	50.58	Each
758	Handle/Holder for 755/6/7.	14.45	Each
759	Crown Race Setter (Holder).	43.35	Each
760	Guide for 759 (25.4mm).	14.45	Each
761	Guide for 759 (1 1/8").	14.45	Each
762	Guide for 759 (1 1/4").	14.45	Each
763	Brass Guide for 759 (25.4mm).	14.45	Each
764	Brass Guide for 759 (1 1/8").	14.45	Each
765	Brass Guide for 759 (1 1/4").	14.45	Each

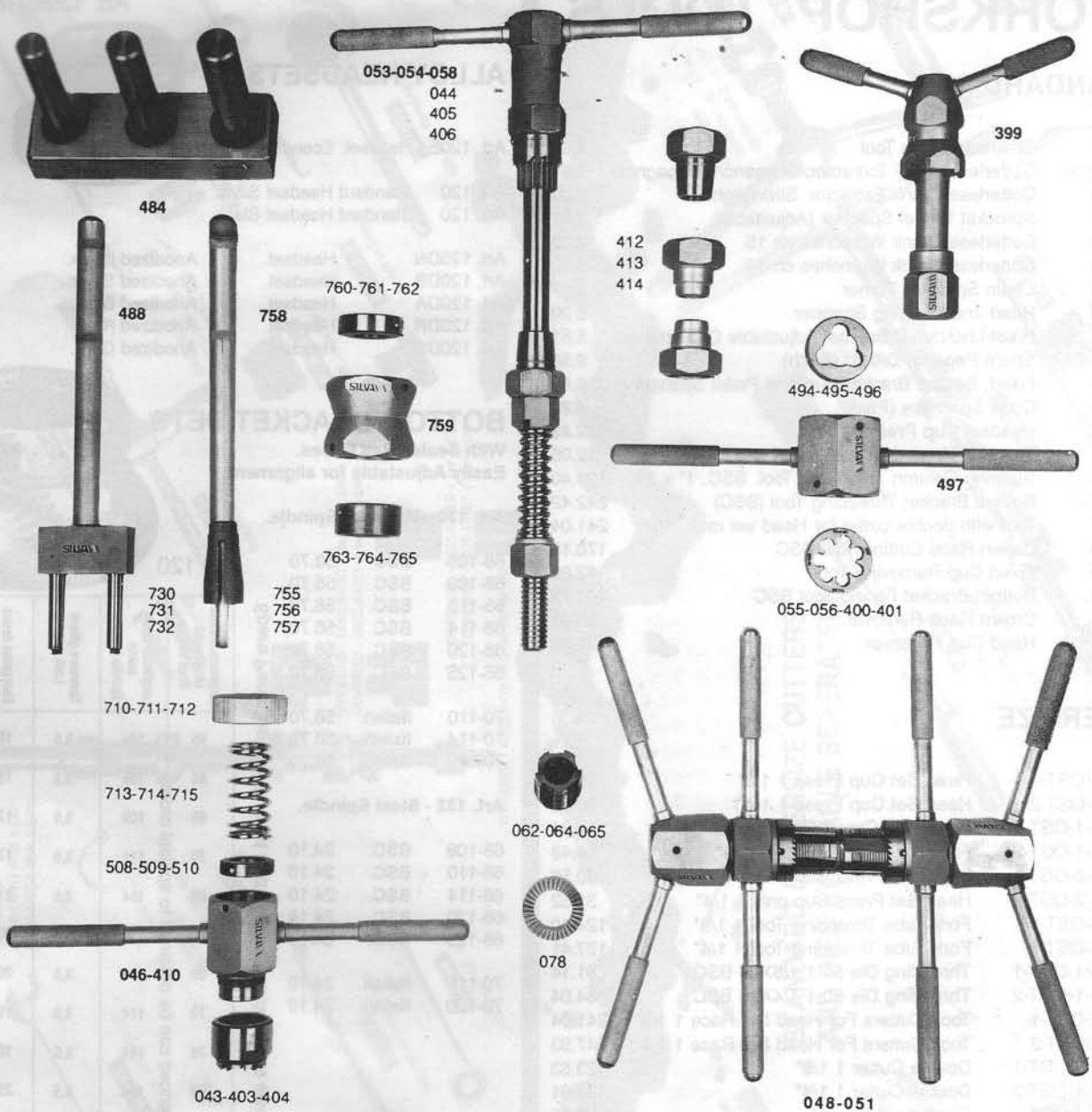
PLEASE NOTE: High speed tools, taps, cutters, and dies are guaranteed for correct size only. The life of such tools depends on their correct usage, of which we know nothing. Damage may occur due to abuse, use without lubricants, use on hard materials such as chrome, or perhaps just impatience. The arbiter is the manufacturer.

SILVA

WORKSHOP QUALITY TOOLS



Art. 020. 5kg. Art.022. .25kg. Special Screw Cutting Oil. Art.021. 5kg. Art.023. .25kg. Special Screw Cutting Grease. Art.024. 22.05 - 27.35mm. dia.
 Art. 079. 27.45mm. - 32.05. Morse Taper No. 2. Reamer. Art.026. 14mm. dia. Art. 27. 16mm. dia. Reamers for Top Eyes. Art.028. 28.6mm - 32mm. dia.
 Art. 032. 32.25 - 40mm. dia. Spot Facer fine pitch. Art. 029. 9.5mm. 10.4mm. 12.1mm. 12.5mm. 14mm. dia. Fork Blade and Seat Stay Reamer.
 Art. 030. 22.05mm - 27.35mm. Art. 031. 27.45mm - 32.05mm. dia. Reamers. Art. 033. M3mm. Tap for rear fork ends. Art. 034. M5 Tap for gear lever boss.
 Art. 035. 10 x 26 gear hanger tap. Art. 036. 10.3mm x 8 Reamer for fork crown brake hole and seat bolt. Art. 038. 8.33mm x 56 Reamer for seat bolt.
 Art. 039. 8/12 x 56. 2 part reamer for seat bolt. Art. 040. 7 x 56. Twist drill reamer for internal cable passage. Art. 042. 30.07mm. for Art. 44.
 Art. 498. 33.93mm. for Art. 405. Art. 499. 37mm. for Art. 406. Head Tube Reamer. Art. 043. 26.4mm. Art.043. 30mm. dia.
 Art. 404. 33mm. dia. Fork Crown Race Cutter. Art. 044. 30.7mm. Art. 405. dia. 33.93mm.
 Art. 406. 37mm. dia. Complete cutter for Head Tube bearing races. Art. 405. Holder for Reamer. Art. 050. Holder for Reamer. Art. 056. 1" x 24 tpi.
 Art. 400. 1 1/8" x 26. Art. 401. 1 1/4" x 26. Steering Column Die. Art. 060. 9/16" Tap R/H. Art. 61. 9/16" Tap. L/H. Pedal Taps.
 Art. 066. 36 x 24 Italian BB Hand Tap. Art. 68. 1.370 x 24 BSA. R/H Hand Tap. Art. 69. 1.370 x 24 BSA. L/H Hand Tap. Art. 070. 36 x 24 x 25.
 Art. 071. 1.370 x 24 x 25 BSA. R/H. Art. 072. 1.370 x 24 x 25 BSA. L/H. Machine BB Taps. Art. 075. 46 x 32 BB Shell Facing Cutter. Art. 096. 30.07.
 Art. 097. 33.93mm. Art. 098. 37mm. Complete Cutter for Aluminium Head Tube Bearing. Art. 376. 28.6mm - 32mm.
 Art. 377. 32.25/40. Spot Facer - Course Pitch. Art. 378. 28.6/32. Art. 379. 32.25/40. Spot Facer at variable Pitch. Art. 408. 5mm. dia.
 Art. 409. 6mm. dia. Allen Key. Art. 415. 36mm dia. Art. 416. 40mm dia. Art. 418. 32mm. Headset Spanner. Art. 417. Spanner for BB Lockring.
 Art. 431. Spanner for left cup and pedal. Art. 433. Spare pins for 431. Art. 716. Facing cutter for gear lever boss. Art. 717. Facing cutter for brake support.
 Art. 752. Chain type sprocket remover. Art. 754. Cotterless Crank Puller. Art. 080. Tool for brazing front mech. bracket.
 Art. 768. Tool to increase material on fork crown collar. Art. 083. Tool for reaming ends of brake bridges. Art. 77. 14/16mm. Milling Cutter.
 Art. 085. Central support with air connection. Art. 081. Articulated arm with expansion lock. Art. 082. Vice Lock. Art. 468. Expander - diameter by request.



- Art. 046. Holder for crown race cutter. dia. 26.4mm
Comprising: Art. 710. dia. 25.4mm.
Art. 713. dia. 25.4mm.
Art. 508. dia. 25.4mm.
Art. 43. dia. 26.4mm.
- Art. 48. Bottom Bracket Taps/Holder plus Facer. BSC.
Comprising: Art. 78. Facing Cutter.
- Art. 53. Dia. 30.7mm. Art. 54. Dia. 34mm.
Comprising: Art. 44. dia. 30.7mm. for Art. 53.
Art. 412. dia. 30.07mm. for Art. 53.
- Art. 399. Fixed Cup Assembly and disassembly tool
- Art. 484. Bottom Ball Race Removing Support (25.4mm. - 28.6mm. - 31.7mm.)
- Art. 488. Extension Pin. Art. 730. 25.4mm. Art. 731. 28.6mm. Art. 732. 31.7mm. Bottom headset race removing tool.
- Art. 497. Steering column threading tool holder.
Comprising: Art. 56. 1" BSC die.
Art. 494. dia. 25.4mm. for 497.
- Art. 758. For Art. 755 - 756 - 757. Extension Pin.
Art. 755. dia. 25.4mm. Art. 756. dia. 28.6mm. Art. 757. dia. 31.7mm.
- Art. 759. For Art. 763 - 764 - 765. Crown Race Setting Tool.
Comprising: Art. 760. dia. 25.4mm. Art. 761. dia. 28.6mm. Art. 762. dia. 31.7mm. Hardened Steel Bush.
Art. 763. dia. 25.4mm. Art. 764. dia. 28.6mm. Art. 765. dia. 31.7mm. Brass Bush for Art. 759.
- Art. 410. For dia. 30mm. & 33mm.
Art. 711. dia. 28.6mm. Art. 712. dia. 31.7mm. Threaded ring nut.
Art. 714. dia. 28.6mm. Art. 715. dia. 31.7mm. Spring.
Art. 509. dia. 28.6mm. Art. 510. dia. 31.7mm. Guide.
Art. 403. dia. 30mm. Art. 404. dia. 33mm. Crown Race Cutter.
- Art. 64. Right Hand Tap. Art. 65. Left Hand Tap.
Art. 58. Dia. 37mm. Headset Press & Reamer.
Art. 405. dia. 33.93mm for Art. 54. Art. 406. dia. 37mm. for Art. 58.
Art. 413. dia. 34mm. for Art. 54. Art. 414. dia. 37mm. for Art. 58.
- Art. 400. 28.6 x 26 die. Art. 401. 31.7 x 26 die.
Art. 495. dia. 28.6mm. for 497. Art. 496. dia. 31.7mm. for 497. Guide

COBRA WORKSHOP TOOLS.

STANDARD SIZE

D/001	Chainset Fitting Tool.	8.61
D/002	Cotterless Crank Extractor. Shimano/Campagnolo	5.81
D/003	Cotterless Crank Extractor. Stronglight	6.03
D/007	Sprocket Wheel Spanner (Adjustable)	5.97
D/008	Cotterless Crank Wrenches ch 15.	3.10
D/008	Cotterless Crank Wrenches ch 14.	3.10
D/009	Chain Sprocket Turner	5.17
D/010	Head and Lockring Spanner.	5.29
D/011	H/set Locknut+B/Bracket Adjustable Cup spanner.	5.51
D/011-2	Spare Pegs for D/011. (Each)	0.56
D/012	Fixed. Bottom Bracket Cup and Pedal Spanner	5.68
D/013	Cone Spanners (Pair)	4.73
D/014	Headset Cup Press.	82.49
D/014-1	Tool for fitting crown ball race.	12.05
D/015	Steering Column Threading Tool. BSC. 1" x 24	124.40
D/017	Bottom Bracket Threading Tool.(BSC)	242.42
D/022	Tool with double cutter for Head set race.	241.04
D/023	Crown Race Cutting Tool BSC	170.15
D/025	Fixed Cup Removing Tool	82.21
D/026	Bottom Bracket Facing Tool BSC	207.73
D/034	Crown Race Remover.	20.66
D/035	Head Cup Remover	20.66

OVERSIZE

D/014-OST-1	Head Set Cup Press 1 1/8"	79.63
D/014-OST-2	Head Set Cup Press 1 1/4"	80.92
D/014-1-OST-1	For Fitting Crown Race 1 1/8"	13.34
D/014-1-OST-2	For Fitting Crown Race 1 1/4"	14.48
D/014-2-OST-1	Head Set Press Cup only 1 1/8"	30.56
D/014-2-OST-2	Head Set Press Cup only 1 1/4"	31.52
D/015-OST-1	Fork Tube Threading Tool 1 1/8"	124.40
D/015-OST-2	Fork Tube Threading Tool 1 1/4"	127.41
D/015-1-OST-1	Threading Die 50 1 1/8X26 BSC	81.14
D/015-1-OST-2	Threading Die 50 1 1/4X26 BSC	84.04
D/022-OST-1	Tool+Cutters For Head Set Race 1 1/8"	241.04
D/022-OST-2	Tool+Cutters For Head Set Race 1 1/4"	247.93
D/022-1-OST-1	Double Cutter 1 1/8"	123.53
D/022-1-OST-2	Double Cutter 1 1/4"	128.91
D/022-4-OST	Centralizer Sleeve	26.26
D/022-6-OST-1	Head Set Pressing Sleeves 1 1/8"	18.94
D/022-6-OST-2	Head Set Pressing Sleeves 1 1/4"	27.98
D/023-OST-1	Crown Race Cutting tool 1 1/8"	181.90
D/023-OST-2	Crown Race Cutting tool 1 1/4"	185.52
D/023-1-OST-1	Fork Collar Cutters 1 1/8"	94.70
D/023-1-OST-2	Fork Collar Cutters 1 1/4"	101.15
D/023-3-OST-1	Threaded Lockring 1 1/8"	20.53
D/023-3-OST-2	Threaded Lockring 1 1/4"	20.53
D/034-OST	Crown Race Remover Oversize	20.99
D/035-OST-1	Head Cup Remover 1 1/8"	20.08
D/035-OST-2	Head Cup Remover 1 1/4"	21.72
D/038-OST	Head Set Spanner 35-36	5.70
D/039-OST	Head Set Spanner 36-40	5.70
D/040-OST	Head Set And Pedal Wrench 36-15	5.70

I/004	250g Tub of Bicycling grease with Lithium	4.65
I/005	500g Tub of Bicycling grease with Lithium	8.95
I/006	1 kg Tub of Bicycling grease with Lithium	15.92

Additional Spares are available for the above.

OMAS ACCESSORIES

Art. 120E Headset



ALLOY HEADSETS

Art. 120E	Headset. Economy.		8.90
Art. 120	Standard Headset Silver.		12.90
Art. 120	Standard Headset Black.		12.90
Art. 120DN	Headset.	Anodized Black.	13.20
Art. 120DB	Headset.	Anodized Silver.	13.20
Art. 120DA	Headset.	Anodized Blue.	13.20
Art. 120DR	Headset.	Anodized Red.	13.20
Art. 120DO	Headset.	Anodized Gold.	13.20

BOTTOM BRACKET SETS

With Sealed Ball Races.
Easily Adjustable for alignment.



Art. 130 - Titanium Spindle.

68-105	BSC.	58.70
68-109	BSC.	58.70
68-110	BSC.	58.70
68-114	BSC.	58.70
68-120	BSC.	58.70
68-125	BSC.	58.70

70-110	Italian.	58.70
70-114	Italian.	58.70
70-120	Italian.	58.70

Art. 132 - Steel Spindle.

68-109	BSC.	24.10
68-110	BSC.	24.10
68-114	BSC.	24.10
68-120	BSC.	24.10
68-125	BSC.	24.10

70-111	Italian.	24.10
70-120	Italian.	24.10

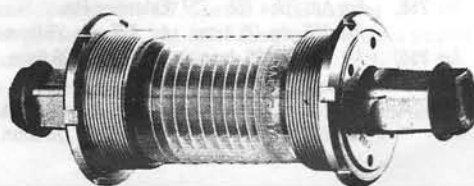


Art. 120D Headsets

Filettature - Threads

70 Italiana = ø 36 x 24 F.

68 Inglese = ø 1.370" x 24 BSC

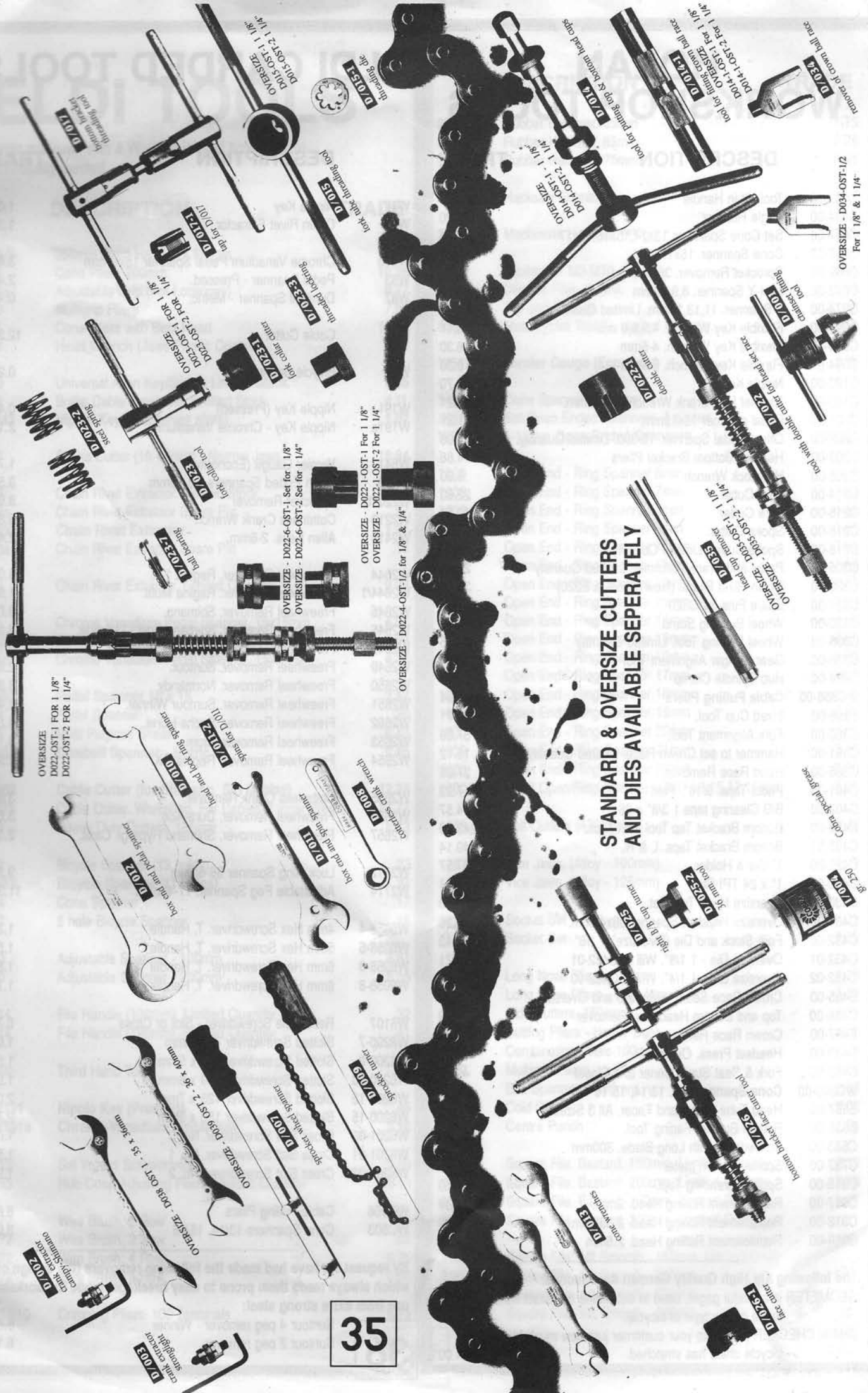


Art. 130 Titanio

Spare Parts for OMAS Head and Bottom Bracket Sets also stocked.

Larghezza scatola Movimento Shell Width	Lunghezza Totale perno Spindle Length	Spessore ghiera Lock ring	Sporgenza destra Right Side	Sporgenza sinistra Left Side
65	104	3,5	16	16
68	105	3,5	15,5	14,5
68	109	3,5	17	17
70	111	3,5	17	17
68	114	3,5	21	18
70	114	3,5	20	17
68	114	3,5	20,5	20,5
70	114	3,5	19,5	19,5
73	114	3,5	18	18
68	120	3,5	25,5	19,5
70	120	3,5	24,5	18,5
68	125	3,5	25	25
70	125	3,5	24	24
73	125	3,5	22,5	22,5
111 Tipo Klein-Fischer				
130 Tipo Klein-Fischer				
ST = Versione stagna - Watertight				

COBRA HI-TECH CYCLE TOOLS



- D/001** chainring fitting tool
- D/002** crank extractor
- D/003** crank extractor
- D/004** 8r-250 Cobra special grease
- D/005** head up remover
- D/006** head up remover
- D/007** ball bearings
- D/008** ball bearings
- D/009** ball bearings
- D/010** head and lock ring spanner
- D/011** box end and pin spanner
- D/012** box end head pedal spanner
- D/013** cone wrenches
- D/014** cone wrenches
- D/015** fork axle threading tool
- D/016** fork axle threading tool
- D/017** fork axle threading tool
- D/018** fork axle threading tool
- D/019** fork axle threading tool
- D/020** fork axle threading tool
- D/021** fork axle threading tool
- D/022-1** set for 1 1/8"
- D/022-2** set for 1 1/4"
- D/023** fork collar tool
- D/024** fork collar tool
- D/025-1** fork collar tool
- D/025-2** fork collar tool
- D/026-1** face cutter
- D/026-2** face cutter
- D/027** bottom bracket face cutter tool
- D/028** bottom bracket face cutter tool
- D/029** bottom bracket face cutter tool
- D/030** bottom bracket face cutter tool
- D/031** bottom bracket face cutter tool
- D/032** bottom bracket face cutter tool
- D/033** bottom bracket face cutter tool
- D/034** bottom bracket face cutter tool
- D/035** bottom bracket face cutter tool
- D/036** bottom bracket face cutter tool
- D/037** bottom bracket face cutter tool
- D/038** bottom bracket face cutter tool
- D/039** bottom bracket face cutter tool
- D/040** bottom bracket face cutter tool
- D/041** bottom bracket face cutter tool
- D/042** bottom bracket face cutter tool
- D/043** bottom bracket face cutter tool
- D/044** bottom bracket face cutter tool
- D/045** bottom bracket face cutter tool
- D/046** bottom bracket face cutter tool
- D/047** bottom bracket face cutter tool
- D/048** bottom bracket face cutter tool
- D/049** bottom bracket face cutter tool
- D/050** bottom bracket face cutter tool
- D/051** bottom bracket face cutter tool
- D/052** bottom bracket face cutter tool
- D/053** bottom bracket face cutter tool
- D/054** bottom bracket face cutter tool
- D/055** bottom bracket face cutter tool
- D/056** bottom bracket face cutter tool
- D/057** bottom bracket face cutter tool
- D/058** bottom bracket face cutter tool
- D/059** bottom bracket face cutter tool
- D/060** bottom bracket face cutter tool
- D/061** bottom bracket face cutter tool
- D/062** bottom bracket face cutter tool
- D/063** bottom bracket face cutter tool
- D/064** bottom bracket face cutter tool
- D/065** bottom bracket face cutter tool
- D/066** bottom bracket face cutter tool
- D/067** bottom bracket face cutter tool
- D/068** bottom bracket face cutter tool
- D/069** bottom bracket face cutter tool
- D/070** bottom bracket face cutter tool
- D/071** bottom bracket face cutter tool
- D/072** bottom bracket face cutter tool
- D/073** bottom bracket face cutter tool
- D/074** bottom bracket face cutter tool
- D/075** bottom bracket face cutter tool
- D/076** bottom bracket face cutter tool
- D/077** bottom bracket face cutter tool
- D/078** bottom bracket face cutter tool
- D/079** bottom bracket face cutter tool
- D/080** bottom bracket face cutter tool
- D/081** bottom bracket face cutter tool
- D/082** bottom bracket face cutter tool
- D/083** bottom bracket face cutter tool
- D/084** bottom bracket face cutter tool
- D/085** bottom bracket face cutter tool
- D/086** bottom bracket face cutter tool
- D/087** bottom bracket face cutter tool
- D/088** bottom bracket face cutter tool
- D/089** bottom bracket face cutter tool
- D/090** bottom bracket face cutter tool
- D/091** bottom bracket face cutter tool
- D/092** bottom bracket face cutter tool
- D/093** bottom bracket face cutter tool
- D/094** bottom bracket face cutter tool
- D/095** bottom bracket face cutter tool
- D/096** bottom bracket face cutter tool
- D/097** bottom bracket face cutter tool
- D/098** bottom bracket face cutter tool
- D/099** bottom bracket face cutter tool
- D/100** bottom bracket face cutter tool

STANDARD & OVERSIZE CUTTERS AND DIES AVAILABLE SEPERATELY

HOZAN WORKSHOP TOOLS

DESCRIPTION	TRADE	
C009-00	Tool Kit in Handle	14.66
C034-00	Angle Reamer	16.20
C057-00	Set Cone Spanners 13x14,15x16,15x17	21.34
C057-03	Cone Spanner. 15x17mm.	7.11
C062-00	Sprocket Remover. 360mm.	14.91
C073-00	Mini-Y Spanner. 8,9,10mm	4.63
C074-00	Y-Spanner. 11,13,14mm. Limited Quantity.	4.30
C094-00	Flexible Key Wrench. 4,5,6,8 mm	13.11
C094-45	Flexible Key Wrench. 4-5mm	6.30
C094-67	Flexible Key Wrench. 5-6mm	6.30
C120-00	Nipple Key	1.70
C160-00	Ratchet Hub/Crank Wrench. 14x15mm.	30.21
C201-00	Pedal spanner 15x15mm	11.31
C202-00	Offset Pedal Spanner. 15/300. Limited Quantity.	13.00
C203-00	Headset/Bottom Bracket Pliers	14.66
C205-00	Headlock Wrench	9.00
C214-00	Wire Cutter	22.63
C215-00	Wire Cutter	30.34
C216-00	Spoke Cutter.	21.09
C218-00	Spoke Cutter. Limited Quantity	17.00
C305-00	Pedal and Crank Reformer. Limited Quantity	27.94
C320-00	Chain Rivet Pliers. (New model is E320)	33.43
C321-00	Spare Pins for C320	1.54
C330-00	Wheel Building Stand	200.57
C335-00	Wheel Dishing Tool. Limited Quantity	47.25
C336-00	Gear Hanger Alignment Tool	30.54
C354-00	Hub Spindle Clamp	24.17
WC356-00	Cable Pulling Pliers	8.64
E358-00	Fixed Cup Tool.	34.71
C360-00	Fork Alignment Tool.	57.86
C361-00	Hammer to set Crown Race. Limited Quantity	19.12
C365-00	Head Race Remover.	27.00
C401-00	Pedal Taps. 9/16". Pair.	17.23
C402-00	B/B Clearing taps 1 3/8" x 26	74.57
C405-00	Bottom Bracket Tap Tool with Taps.	243.00
C405-51	Bottom Bracket Taps. L & R.	149.14
C421-00	1" Die & Holder.	47.57
C422-00	1" x 24 TPI Die.	10.54
C430-00	Oversize Head Tool Set.	432.00
C431-00	Oversize Headset Spanner 36x40mm.	27.26
C432-00	Fork Stock and Die (Oversize) 1 1/8"	51.43
C432-01	Oversize Die - 1 1/8". Will fit C432-01	16.71
C432-02	Oversize Die - 1 1/4". Will fit C432-00	16.71
E435-00	Crown Race Setter. Standard and Oversize.	30.21
C436-00	Top and Bottom Head Cup Remover	33.43
E437-00	Crown Race Remover	36.64
C438-00	Headset Press. Oversize.	85.50
C450-00	Fork & Seat Stay Opener and Closer	49.89
WC503-00	Cone Spanner Set. 13/14, 15/16	3.02
E537-00	Head Tube Cutter and Facer. All 3 Sizes.	223.71
E538-00	Bottom Bracket Facing Tool.	78.69
C583-00	Screwdriver with Long Blade. 300mm	6.04
C737-00	Spoke Tension meter	257.91
C915-00	Spoke Threading Tool.	40.50
C917-00	Replacement Rolling Head. 2mm.	13.89
C918-00	Replacement Rolling Head. 2.336mm.	13.89
C919-00	Replacement Rolling Head. 2.5mm	13.89

The following are High Quality German Accessories:
GEOMETER is a useful gaget, used to determine the exact frame angle of any type of bicycle. 33.00
CHAIN CHECKER proves to your customer just how much his bicycle chain has stretched. 24.00

ELDI CARDED TOOLS

DESCRIPTION	TRADE	
W42	Nipple Key	1.02
W50	Chain Rivet Extractor	1.21
W61b	Chrome Vanadium Pedal Spanner 15x17mm	3.60
W63	Pedal Spanner - Pressed.	2.42
W67	Dumbell Spanner - Metric.	0.45
W69	Cable Cutter	12.24
W73	Bicycle Spanner	0.27
W191	Nipple Key (Pressed)	0.46
W191a	Nipple Key - Chrome Vanadium	2.16
W541	Vernier Gauge (Economy)	1.76
W570	Open Ended Spanners - 8-15mm	3.51
W2201b	Sprocket Remover	8.99
W2219	Cotterless Crank Wrench	5.87
W2415	Allen Keys. 2-8mm.	2.42
W2644	Freewheel Remover. Regina 1-3.	4.09
W2644/1	Freewheel Remover. Regina Multi.	1.96
W2645	Freewheel Remover. Shimano.	3.02
W2646	Freewheel Remover. Shimano Posi - Uniglide.	2.51
W2648	Freewheel Remover. TD Cross Remover.	2.19
W2649	Freewheel Remover. Suntour.	2.56
W2650	Freewheel Remover. Normandy	3.86
W2651	Freewheel Remover. Suntour Winner.	2.48
W2652	Freewheel Remover. Sachs-Huret.	4.55
W2653	Freewheel Remover. Atom.	3.11
W2654	Freewheel Remover. Regina CX	2.94
W2655	Cotterless Crank Remover.	3.60
W2656	Freewheel Remover. Dura-Ace.	3.65
W2657	Freewheel Remover. Shimano Hypergl. Cass.	2.51
W2712	Lock Ring Spanner 36-60mm	9.59
W2714	Adjustable Peg Spanner. 17-40mm.	11.38
W6058-4	4mm Hex Screwdriver. T. Handle	1.25
W6058-5	5mm Hex Screwdriver. T. Handle	1.56
W6058-6	6mm Hex Screwdriver. T. Handle	1.67
W6058-8	8mm Hex Screwdriver. T. Handle	1.79
W6107	Reversible Screwdriver - Slot or Cross	0.78
W6200-7	Slotted Screwdriver 75 x 3mm	1.01
W6200-9	Slotted Screwdriver 100 x 5mm	1.50
W6200-10	Slotted Screwdriver 100 x 6mm	1.81
W6200-12	Slotted Screwdriver 125 x 7mm	2.02
W6200-15	Slotted Screwdriver 150 x 8mm	2.74
W6201-00	Cross Slot Screwdriver. No. 0	1.05
W6201-01	Cross Slot Screwdriver. No. 1	1.56
W6201-02	Cross Slot Screwdriver. No. 2	1.99
WC356	Cable Pulling Pliers	8.64
WC503	Cone Spanners 13/14, 15/16	3.02

By request we have had made the following removers (the design of which always made them prone to easy breakage) made for workshop use from extra strong steel:

Suntour 4 peg remover - Winner	6.50
Suntour 2 peg remover	6.10

ELDI TOOLS

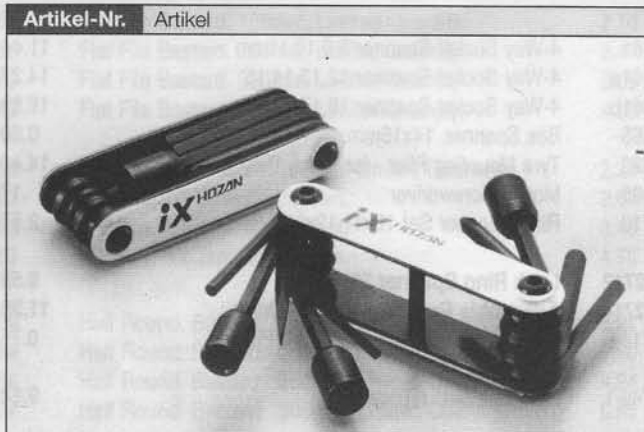
Items prefaced with a W - and in bold typeface are individually carded.

DESCRIPTION	TRADE	DESCRIPTION	TRADE		
14	250mm Right Hand Cut Shears	8.15	287	Rubber Hammer. 55mm	1.75
16	Cone Pliers 200mm.	10.36	287	Rubber Hammer. 65mm	2.26
19a	Adjustable Grip (For Lockrings)	9.77	287	Rubber Hammer. 75mm	3.21
20	Multigrip Pliers	7.53	291	Hacksaw Frame.	1.49
21	Cone Pliers with Bent Head	11.06	327	Machinists Hammer. 500gr.	1.67
24	Head Wrench (Jaws Plastic Coated)	6.43	400	Tap/Holder M3-M10	6.04
40	Universal Allen Key/Screw. Limited Stock.	3.35	469	Contact Files. In Box.	5.04
41	Brake Cable Tensioner. Limited Stock	4.11	472	Tap and Die Set.	31.37
W42	Nipple Key (8 different slots)	1.02	500	Motorcyclist Tool Ki. Limited Quantity.	19.29
47	Spoke Cutter (19-40mm) - Narrow Jaws.	18.64	W541	Vernier Gauge (Economy)	1.76
49	Chain Rivet Extractor. Limited Stock.	8.19	548	Cone Spanner 13/15mm	.15
49a	Chain Rivet Extractor Spare Pin	.57	568/T	Set Open Ended Spanners. 8 pieces	6.30
W50	Chain Rivet Extractor	1.21	W570	8-15mm Open Ended Spanners	3.51
50a	Chain Rivet Extractor Spare Pin	.18	1000	Open End - Ring Spanner 6mm	1.39
55	Chain Rivet Extractor. Limited Quantity.	9.23	1000	Open End - Ring Spanner 7mm	1.40
61	Chrome Vanadium Pedal Spanner. 15x15mm	4.32	1000	Open End - Ring Spanner 8mm	1.42
W61b	Chrome Vanadium Pedal Spanner. 15x17mm	3.60	1000	Open End - Ring Spanner 9mm	1.44
61d	Chrome Vanadium Pedal Spanner. 15x9/16th	4.32	1000	Open End - Ring Spanner 10mm	1.66
W63	Pedal Spanner 15 x 15	2.42	1000	Open End - Ring Spanner 11mm	1.67
64	Pedal Spanner	.26	1000	Open End - Ring Spanner 12mm	1.78
65	Multi Purpose Shears	6.43	1000	Open End - Ring Spanner 13mm	1.83
W67	Dumbell Spanner - Metric.	0.45	1000	Open End - Ring Spanner 14mm	1.96
W69	Cable Cutter (for Shimano STI Cables)	12.24	1000	Open End - Ring Spanner 15mm	2.06
70/1	Cable Cutter. Workshop. For Cables & Inner Wires.	27.77	1000	Open End - Ring Spanner 16mm	2.30
71	Heavy Duty Cutters. 165mm	8.43	1000	Open End - Ring Spanner 17mm	2.38
72	Bicycle Spanner (13 holes)	.23	1000	Open End - Ring Spanner 18mm	2.73
W73	Bicycle Spanner (11 holes)	.27	1000	Open End - Ring Spanner 19mm	2.83
74	Cone Spanner	.17	1000	Open End - Ring Spanner 20mm	3.03
77	8 hole Bicycle Spanner	.16	1000	Open End - Ring Spanner 21mm	3.16
90	Adjustable Spanner - 100mm	4.81	1000	Open End - Ring Spanner 22mm	3.50
90	Adjustable Spanner - 200mm	6.35	1000/8T	Set 8 Open/Ring Spanners. 8-11,13,15,17,19mm	5.91
114	File Handle (100mm). Limited Quantity.	.32	1053	Bolt Cutters (470mm)	29.42
114	File Handle (120mm). Limited Quantity.	.41	1087	Vice Jaws. (Alloy - 100mm)	4.72
160	Third Hand Tool	.57	1087	Vice Jaws. (Alloy - 125mm)	6.70
W191	Nipple Key (Pressed)	.46	1123	Socket Set	4.11
W191a	Chrome-Vanadium Nipple Key	2.16	1124	Socket Set	9.00
213	Set Impact Screwdrivers	4.89	2015	Long Nose Pliers - 150mm	4.19
253	Hub Cone Adjusting Pliers. Limited Quantity.	6.13	2017	Long Nose Pliers - Bent Nose	5.89
272	Wire Brush. 2 Row	.53	2025	Side Cutters. 160mm	3.91
272	Wire Brush. 3 Row	.62	2037	Cutting Pliers - Heavy Duty	6.92
272	Wire Brush. 4 Row	0.71	2041	Combination Pliers 160mm	4.22
272	Wire Brush. 5 Row	0.84	2083	Multigrip Pliers	4.89
283/10	Crimping Pliers. 100 Terminals	5.79	2084	Box Spanner 14x15mm	2.03
			2123	Cold Chisel	3.09
			2132	Centre Punch	1.31
			2162	Square File. Bastard. 150mm. Limited Quantity.	2.10
			2162	Square File. Bastard. 200mm. Limited Quantity.	2.60
			2162	Square File. Bastard. 250mm. Limited Quantity.	3.35
			2162	Square File. Bastard. 300mm. Limited Quantity.	4.50
			2162	Square File. 1/2 Smooth. 150mm. Limited Quantity.	2.20
			2162	Square File. 1/2 Smooth. 200mm.	2.80
			2162	Square File. 1/2 Smooth. 250mm.	3.55
			2162	Square File. 1/2 Smooth. 300mm.	5.04

DESCRIPTION	TRADE
2163 Flat File Bastard. 150mm. Limited Quantity.	2.10
2163 Flat File Bastard. 200mm. Limited Quantity.	2.47
2163 Flat File Bastard. 250mm. Limited Quantity.	3.05
2163 Flat File Bastard. 300mm. Limited Quantity.	4.00
2163 Flat File. 1/2 Smooth. 150mm. Limited Quantity.	2.20
2163 Flat File. 1/2 Smooth. 200mm.	2.67
2163 Flat File. 1/2 Smooth. 250mm.	3.45
2163 Flat File. 1/2 Smooth. 300mm.	4.76
2164 Half Round. Bastard. 150mm. Limited Quantity.	3.21
2164 Half Round. Bastard. 200mm. Limited Quantity.	3.60
2164 Half Round. Bastard. 250mm. Limited Quantity.	4.94
2164 Half Round. Bastard. 300mm. Limited Quantity.	6.65
2164 Half Round. 1/2 Smooth. 150mm. Limited Quantity.	3.41
2164 Half Round. 1/2 Smooth. 200mm.	3.91
2164 Half Round. 1/2 Smooth. 250mm.	5.19
2164 Half Round. 1/2 Smooth. 300mm.	6.69
2165 Round File. Bastard. 150mm. Limited Quantity.	1.70
2165 Round File. Bastard. 200mm. Limited Quantity.	2.37
2165 Round File. Bastard. 250mm. Limited Quantity.	2.91
2165 Round File. Bastard. 300mm. Limited Quantity.	3.90
2165 Round File. 1/2 Smooth. 150mm. Limited Quantity.	1.90
2165 Round File. 1/2 Smooth. 200mm.	2.57
2165 Round File. 1/2 Smooth. 250mm.	3.27
2165 Round File. 1/2 Smooth. 300mm.	4.37
2176 6mm. Tap. Carbon Steel. Limited Quantity.	1.91
2177 3mm. Tap. High Speed Steel.	1.51
2177 5mm. Tap. High Speed Steel.	1.77
2177 6mm. Tap. High Speed Steel.	2.10
2178 3mm Tap Set. R/S/F. Carbon Steel. Limited Quantity.	3.57
2179 3mm Tap Set. Rough/Secondary/Finish. H.S.S.	4.53
2179 5mm Tap Set. Rough/Secondary/Finish. H.S.S.	5.30
W2201 Sprocket Remover	8.99
2213 T-Handle Box Spanner-6 350mm	3.29
2213 T-Handle Box Spanner-7 350mm	3.45
2213 T-Handle Box Spanner-8 350mm	3.68
2213 T-Handle Box Spanner-9 350mm	3.93
2213 T-Handle Box Spanner-10 350mm	3.99
2213 T-Handle Box Spanner-11 350mm	4.06
2213 T-Handle Box Spanner-12 350mm	4.24
2213 T-Handle Box Spanner-13 350mm	4.89
2213 T-Handle Box Spanner-14 350mm	4.99
2213 T-Handle Box Spanner-15 350mm	5.35
2213 T-Handle Box Spanner-16 350mm	5.58
2213 T-Handle Box Spanner-17 350mm	5.89
2214 T-Handle Box Spanner-6 250mm	3.09
2214 T-Handle Box Spanner-7 250mm	3.14
2214 T-Handle Box Spanner-8 250mm	3.39
2214 T-Handle Box Spanner-9 250mm	3.47
2214 T-Handle Box Spanner-10 250mm	3.55
2214 T-Handle Box Spanner-11 250mm	3.75
2214 T-Handle Box Spanner-12 250mm	3.83
2214 T-Handle Box Spanner-13 250mm	4.47
2214 T-Handle Box Spanner-14 250mm	4.47
2214 T-Handle Box Spanner-15 250mm	4.73
2214 T-Handle Box Spanner-16 250mm	4.94
2214 T-Handle Box Spanner-17 250mm	5.22
2216 T-Spanner. 10mm. Limited Quantity.	3.04
2216 T-Spanner. 11mm. Limited Quantity.	3.04
2216 T-Spanner. 13mm. Limited Quantity.	3.04

DESCRIPTION	TRADE
2217 Box Spanner/Wooden Handle 5mm	3.34
2217 Box Spanner/Wooden Handle 6mm	3.47
2217 Box Spanner/Wooden Handle 7-12mm	4.14
2217 Box Spanner/Wooden Handle 13mm	5.55
2217 Box Spanner/Wooden Handle 14mm	5.55
2217 Box Spanner/Wooden Handle 15mm	5.86
2218 Socket Driver. 8mm	3.01
2218 Socket Driver. 9mm	3.14
2218 Socket Driver. 10mm	3.45
W2219 Cotterless Crank Wrench	5.87
2220 Spanner 8,9,10,11mm.	6.94
2228 Tyre Levers. 300mm	4.27
2233 Workshop Stand (Double) Total Height 140cm.	257.14
2233a Claw Holder for Workshop Stand.	50.14
2233b Spare T Claw Holder	46.03
2233c Holder for Oversize Frame	48.15
2234 Tyre Levers (Metal)	.46
2237 Tyre Levers (Plastic)	.90
2245 Wall Mounted Bicycle Holder	56.95
2253 Angle Reamer. Limited Quantity.	6.21
2254 Letter Punches - 4mm.	11.57
2255 Figure Punches - 4mm.	3.86
2254 Letter Punches - 5mm.	12.60
2255 Figure Punches - 5mm.	4.19
2261 Copper Head Hammer 500gr.	7.77
2265A Brass Wire Brushes - Spark Plug. 150mm.	.43
2265M Brass Wire Brushes - Spark Plug. 100mm.	.36
2269 Steerer Die & Holder 1" x 24tpi (or 26 tpi)	30.09
2270 Steerer Die only. 24 or 26 tpi.	13.37
2295 Pedal Taps (set of 2) 9/16".	7.82
2295 Pedal Taps (set of 2) 1/2".	7.82
2297 Pedal Tap 5/8"x24 Re-Tap Pedal. L.	7.59
2297 Pedal Tap.5/8"x24 Re-Tap Pedal. R.	7.59
2299 Crank Bushing Outfit	22.89
2300 Sets of Crank Bushes 6 prs.	7.84
2300a Pedal Repair Bushes each.	.62
2300b Pedal Repair Bushes each.	.62
2303 Bottom Bracket Remover. Campagnolo.	2.31
2304 Bottom Bracket Remover. Shimano. Compact.	2.57
2305 B/Bracket Remover. Shimano. Workshop. Limited Stock.	3.73
2307 Bottom Bracket Tap (Eng) Left	28.80
2307 Bottom Bracket Tap (Eng) Right	28.80
2308 Bottom Bracket Tap M35x1. (French).	28.80
2310 Bottom Bracket Tap. Italian (36mm).	28.80
2311 No. 1 Tap Holder. 1 - 10mm	4.11
2311 No. 2 Tap Holder. 4 - 12mm	6.17
2311 No. 3 Tap Holder. 4.9 - 12mm	9.72
2311 No. 4 Tap Holder. 5.5 - 16mm	16.46
2311 No. 5 Tap Holder. 13 - 32mm	24.69
2316 Reamer for Cranks. 16mm. HSS. Limited Quantity.	40.41
2321 Adjustable Reamer 21-24mm.	45.00
2321 Adjustable Reamer 24-27.5mm.	49.63
2321 Adjustable Reamer 27.5-31.5	59.66
Spare Blades for 24-27.5mm Reamer	22.27

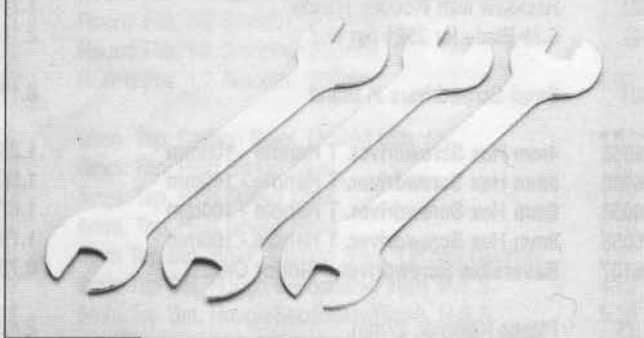
DESCRIPTION	TRADE	DESCRIPTION	TRADE		
2335	Bottom Bracket Remover. Shimano. Workshop.	4.42	2661	4-Way Socket Spanner 8,9,10,11mm	11.44
2340	Wheel Truing Jig	86.79	2661a	4-Way Socket Spanner 12,13,14,15	14.27
2341	Wheel Centring Tool	2.24	2661b	4-Way Socket Spanner 16,17,18,19	16.59
2349	Thread Gauge	3.06	2665	Box Spanner. 14x15mm.	0.68
2368	Ring Spanner 6x7mm	2.19	2693	Tyre Mounting Plier - for Dutch Bicycles	14.40
2368	Ring Spanner 8x9mm	2.21	2695	Moped Screwdriver	.17
2368	Ring Spanner 10x11mm	2.29	2710	Ring Spanner Set 10x11,12x13,14x15	2.57
2368	Ring Spanner 12x13mm	2.42	W2712	Lock Ring Spanner 35-60mm	9.59
2368	Ring Spanner 14x15mm	2.65	W2714	Adjustable Peg Spanner. 17-40mm	11.38
2368	Ring Spanner 16x17mm	2.93	2714a	Adjustable Peg Spanner. Spare Pin.	0.75
2368/8T	Ring Spanner Pack. 6 - 22 mm	9.51	2749/1	HSS Drill Set. 1-10mm	9.64
W2415	2-8mm. Allen Keys	2.42	3154	Headset Pliers	27.00
2420c	Allen Keys in Grip. 3-10mm.	3.65	3154a	Replacement Rubber Jaws.	7.07
2506	5mm Allen Key with Handle	0.89	3155-32	Headset Spanner. 32mm	3.21
2506	6mm Allen Key with Handle	1.28	3155-36	Headset Spanner. 36mm	3.21
2506	8mm Allen Key with Handle	1.80	3155-40	Headset Spanner. 40mm	3.21
2508	Allen Key. Chrome Vanadium. 2mm.	.12	3460	Tool Pouch	2.21
2508	Allen Key. Chrome Vanadium. 3.5mm	.19	3466	Tool Pouch	3.01
2508	Allen Key. Chrome Vanadium. 4mm.	.21	3468	Tool Pouch	10.29
2508	Allen Key. Chrome Vanadium. 5mm.	.25	3521	Hacksaw with Wooden Handle	1.70
2508	Allen Key. Chrome Vanadium. 6mm.	.33	3522	Saw Blade for 3521 per doz.	2.16
2508	Allen Key. Chrome Vanadium. 7mm.	.41	4301	Small Screwdrivers in Stand	6.17
2508	Allen Key. Chrome Vanadium. 8mm.	.55	W6058	4mm Hex Screwdriver. T Handle - 100mm	1.25
2508	Allen Key. Chrome Vanadium. 10mm.	0.81	W6058	5mm Hex Screwdriver. T Handle - 100mm	1.56
2509	Allen Key. 4mm.	.16	W6058	6mm Hex Screwdriver. T Handle - 100mm	1.67
2509	Allen Key. 5mm.	.20	W6058	8mm Hex Screwdriver. T Handle - 100mm	1.79
2509	Allen Key. 6mm.	.21	W6107	Reversible Screwdriver - Slot or Cross	0.78
2509	Allen Key. 7mm.	.30	6133	Plastic Hammer. 27mm.	2.42
2509	Allen Key. 8mm.	.32	6133	Plastic Hammer. 32mm.	3.14
2511	Circlip Pliers Internal	6.15	6133	Plastic Hammer. 35mm.	3.60
2513	Circlip Pliers External	5.07	6133	Plastic Hammer. 50mm.	7.05
2525	Punch Set. Cold Chisel/Punch Set	10.29	6135	Cross Slot Screwdriver 190mm	1.16
2526	Punch Set. 5 Drift. 1 Centre	7.33	6166	8x9mm Swivel Spanner	8.00
2527	Punch Set. 6 Pin Punches.	9.10	6166	10x11mm Swivel Spanner	8.43
2539	Gear Hanger Tap. M10 x 1. Carbon Steel.	2.00	6166	12x13mm Swivel Spanner	9.49
2600	Spoke Nipple Screw Driver	23.14	6180	Brass Padlock & Chain	2.02
2600a	Spoke Blade	2.70	6185	Padlock 40mm	1.29
2606	Tyre Lever (Sectional Steel) 200mm	1.21	W6200-7	Slotted Screwdriver 75 x 3mm	1.01
2612a	Spare 2612A Chain Rivet Spare Pin	1.42	W6200-9	Slotted Screwdriver 100 x 5mm	1.50
2620	Spoke Mudguard Stay Cutter	21.34	W6200-10	Slotted Screwdriver 100 x 6mm	1.81
2622	Cone Spanner. Limited Stock.	1.65	W6200-12	Slotted Screwdriver 125 x 7mm	2.02
2641	Vernier Gauge (Stainless Steel)	15.04	W6200-15	Slotted Screwdriver 150 x 8mm	2.74
2642	Nipple Spanner (Motor Cycle)	2.96	W6201-00	Cross Slot Screwdriver. No. 0	1.05
W2644	Freewheel Remover Regina 1-3	4.09	W6201-01	Cross Slot Screwdriver. No. 1.	1.56
W2644/1	Freewheel Remover (Regina Multi)	1.96	W6201-02	Cross Slot Screwdriver. No. 2.	1.99
W2645	Freewheel Remover Shimano	3.02	6202-00	Pozidrive Screwdriver. No. 0.	1.57
W2646	Freewheel Remover Shimano Posi - Uniglide	2.51	6202-01	Pozidrive Screwdriver. No. 1.	1.59
W2648	Freewheel Remover TD Cross	2.19	6202-02	Pozidrive Screwdriver. No. 2.	1.65
W2649	Freewheel Remover Sun Tour	2.56	6210	Screwdriver Set.	7.97
W2650	Freewheel Remover Normandy	3.86	L020	Heavy duty Third Hand Tool. Limited Quantity	2.25
W2651	Freewheel Remover Suntour Winner	2.48	WL200	Spoke Spanner	.60
W2652	Freewheel Remover Sachs-Huret	4.55	L602	Oversize Spanner 35x40mm. Limited Quantity	4.28
W2653	Freewheel Remover Atom	3.11	L610	Chain Breaker. Limited Quantity	2.90
W2654	Freewheel Remover Regina CX	2.94			
W2655	Cotterless Crank Remover	3.60			
W2656	Freewheel Remover Shimano Dura Ace	3.65			
W2657	Freewheel Remover Shimano-Hyperglide	2.51			



C009-00 Werkzeugsatz im Klapphalter VE: 1



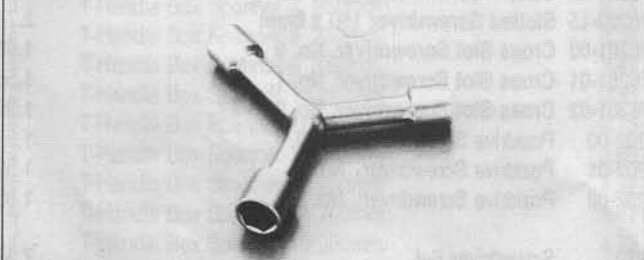
C034-00 Aufreiber VE: 1



C057-00 Satz Konusschlüssel
13x14 ; 15x16 ; 15x17 mm VE: 1



C062-00 Zahnkranz-Zerlegewerkzeug VE: 1



C073-00 Y-Steckschlüssel
8, 9, 10 mm VE: 5



C094-00 Inbusschlüssel mit schwenkbaren Einsätzen
4, 5, 6, 7 mm VE: 1

C094-45 Ersatz-Bits 4-5 mm VE: 1

C094-67 Ersatz-Bits 6-7 mm VE: 1



C120-00 Nippelspanner VE: 10



C160-00 Knarrenschlüssel für Tretlager-
und Achsmutter 14x15 mm VE: 1



C201-00 Pedalschlüssel gekröpft 15x15 mm VE: 1



C203-00 Steuerkopfzange 275 mm VE: 1

Artikel-Nr.	Artikel	
C205-00	Steuerkopfschlüssel 250 mm	VE: 1
C214-00	Kabelschere	VE: 1
C215-00	Kabelschere	VE: 1
C216-00	Speichenschneider	VE: 1
C320-00	Kettennietzange 240 mm	VE: 1
C321-00	Ersatzstift zu Nr. C320-00	VE: 5

Artikel-Nr.	Artikel	
C330-00	Zentrierständer	VE: 1
C336-00	Richtlehre für Schaltauge	VE: 1
C354-00	Achshalter	VE: 1
C356-00	Bowdenzugspannzange 180 mm	VE: 1
C358-00	Montage- und Demontagegerät für rechte Tretlagerschale	VE: 1

Artikel-Nr.	Artikel	
		
C360-00	Gabelrichtwerkzeug	VE: 1
		
C365-00	Demontagegerät für Steuerkopflagerschalen	VE: 1
		
C401-00	Satz Pedal-Gewindebohrer 9/16" x 20 R + L	VE: 1
		
C402-00	Satz Tretlager-Gewindebohrer 1 3/8" x 24 R + L	VE: 1
		
C405-00	Tretlager-Gewindeschneidwerkzeug 1 3/8" x 24	VE: 1
C405-51	Paar Schneideisen 1 3/8" x 24	VE: 1

Artikel-Nr.	Artikel	
		
C430-00	Satz OVERSIZE Werkzeuge Inhalt: C431-00, C432-00, C432-02, C435-00, C436-00, C437-00, C438-00	VE: 1
		
C431-00	Steuerkopfschlüssel 36 x 40 mm	VE: 1
		
C421-00	Gabelrohrkluppe 1" x 24	VE: 1
C422-00	Schneideisen 1" x 24 für C421-00	VE: 1
C432-00	Gabelrohrkluppe 1 1/8" x 26	VE: 1
C432-01	Schneideisen 1 1/8" x 26	VE: 1
C432-02	Schneideisen 1 1/4" x 26	VE: 1
		
E435-00	Aufschlaggerät für Steuerkonus	VE: 1

Artikel-Nr. Artikel



C436-00 Demontagegerät für Steuerkopflagerschalen für MTB VE: 1



E437-00 Demontagegerät für Steuerkonus VE: 1



C438-00 Montagegerät für Steuerkopflagerschalen VE: 1



C450-00 Richtwerkzeug Hinterbau VE: 1



E503-00 Paar Konusschlüssel
13, 14, 15, 16 mm VE: 10

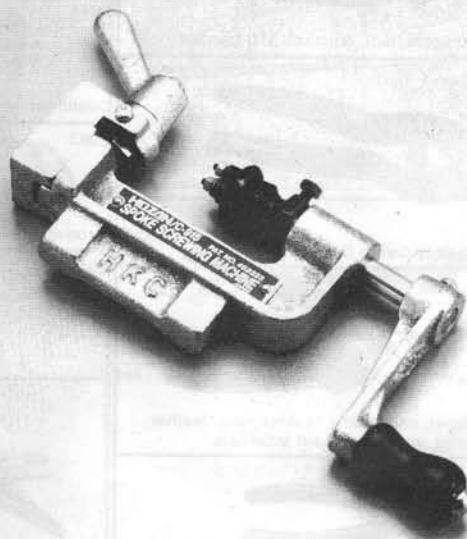
Artikel-Nr. Artikel



C583-00 Schraubendreher 300 mm VE: 1



C737-00 Speichenkontrollgerät VE: 1

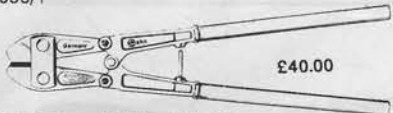



C915-00 Speichengewinde-Walzmaschine
1,8 - 2 mm VE: 1



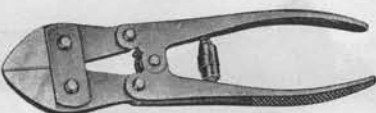
C917-00 Walzkopf 1,8 - 2 mm VE: 1
C918-00 Walzkopf 2,336 mm VE: 1
C919-00 Walzkopf 2,5 mm VE: 1

ELDI


1053/1  £40.00
Bolt Cutters. Light Model. 470mm.

14  Right Hand Shears.


47  Spoke Cutting Nipper. Small Jaws. Drop Forged.


2620  Cutters for Hard Wire, Mudguard Stays, Spokes.


W69  Inner Cable Cutters (Incl. Shimano STI) Carded.

70/1  Workshop Quality Cable Cutter.

65  £9.09
Snips. For paper, cardboard, textiles, wire, leather, plastic material, and other sheet materials.

2025  Side Cutters

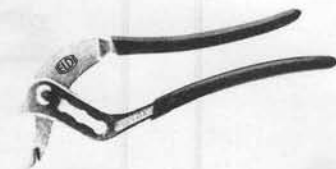
2037  Cutters.


71  Cutter Pliers for hard wire.


3154  Headset Pliers, with interchangeable rubber jaws.

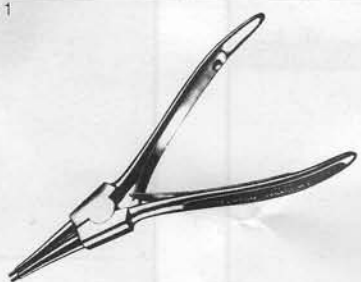
2693  Tyre Mounting Pliers. For Dutch Cycles.

24  Headset Pliers. With plastic covered jaws.


2015  Radio Pliers with Cutter.


2041  Combination Pliers.


2083  Groove joint multigrip pliers.


2511  Circlip pliers for external circlips. Straight.

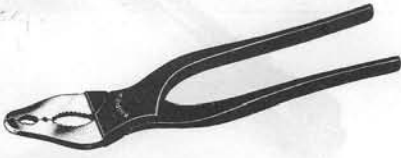
2513  Circlip pliers for internal circlips. Straight.

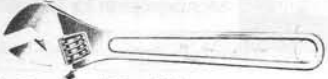
283/10  Crimping Plier Set with 100 terminals.


2017  Bent Nose Pliers.

19A  Lockring Pliers.


16  Cone Pliers. 200mm.

21  Cone Pliers with bent head. 200mm.


90  Adjustable Spanner 100 or 200mm

568/8T  Set Open Ended Spanners. 8 pieces. 6 - 22mm

1000  Open Ring Spanner. Sizes 6 - 22mm. (1000/8T Set of Spanners also available)

W61B  Drop Forged, bright chromium plated Pedal spanner. Size 15 x 17mm. Carded. Other sizes Art. 61 or 61D.


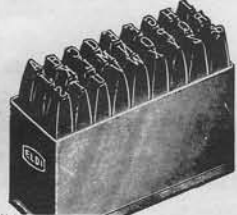

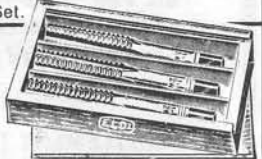
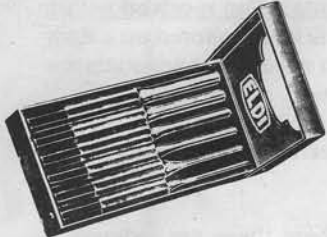

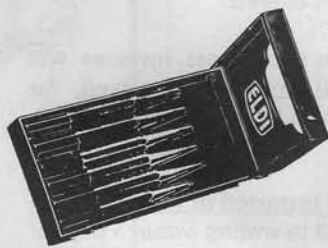

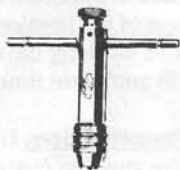
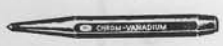



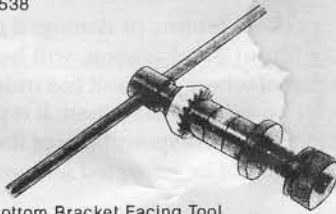
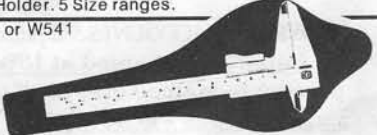


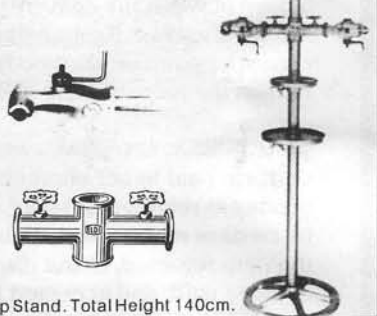





ELDI

<p>2368</p>   <p>Ring Spanner 8x9, or 10x11. 2368/8T Set of 8 ring spanners available.</p>	<p>2710</p>  <p>Set of Ring Spanners. 10-15mm.</p>	<p>W6107</p>  <p>Reversible Screwdriver. Slot to Cross. Carded.</p>
<p>W63</p>  <p>Pedal Spanner. Pressed Steel. 15x15mm, Carded.</p>	<p>2665</p>  <p>Box Spanner. 14 x 15mm.</p>	<p>4301</p>  <p>Display Stand of Small Screwdrivers. 40, 50, 60mm</p>
<p>64</p>  <p>Pedal Spanner. Pressed Steel. 140mm Long.</p>	<p>1123</p>  <p>Special Steel, Bright Chrome Plated. 14 Sockets sixpoint 4 - 19mm. 4 - 8mm = 1/4" drive. 9 - 19mm = 3/8". Reversible Ratchet. Spark plug socket 21mm. Handle 1/4". 2 Extension bars. Adapter.</p>	<p>3155</p>  <p>Headset Spanner. Standard or Oversize.</p>
<p>W67</p>  <p>Dumbbell Spanner. Metric. Carded.</p>	<p>1124</p>  <p>Chrome-Vanadium Steel, Bright Chrome Plated. 11 sockets sixpoint 4 - 13mm. Reversible Ratchet. Sliding handle. 2 Extension bars. Universal joint. Spinner Handle. 3 Hexagonal Angle Keys 1.5/2/2.5 6 Hexagonal sockets 3 - 10mm. 3 Screwdriver sockets 4/5.5/7mm. 4 Cross slot screwdriver sockets. Sizes 1 - 4.</p>	<p>2217</p>  <p>Socket Turner, with wooden Handle. 300mm. 5-15mm</p> <p>2213 or 2214</p>  <p>2213 Socket Turner. Length 350mm. Chrome. 2214 Socket Turner. Length 230mm. Vanadium.</p>
<p>72</p>  <p>13 Hole Bicycle Spanner.</p>	<p>W6200</p>  <p>Slot Screwdriver. Various sizes. Carded.</p>	<p>6166</p>  <p>Double Ended Swive Wrenches. 8x9, 10x11, 12x13mm 2661 or 2661A or 2661B</p>  <p>4-Way Socket Spanner.</p>
<p>W73</p>  <p>11 Hole Bicycle Spanner. Carded.</p>	<p>W6201</p>  <p>Cross Slot Screwdriver. Various sizes. Carded.</p>	<p>2220</p>  <p>Spanner 8, 9, 11, 12mm</p>
<p>W2714</p>  <p>Adjustable Locking Wrench. Carded.</p>	<p>W6202</p>  <p>Pozidrive screwdriver. Various sizes. Carded.</p>	<p>W2219</p>  <p>Cotterless Crank Wrench. 14x15mm. Carded.</p>
<p>W570</p>  <p>Set Open Ended Spanners. 8-15mm. Carded.</p>	<p>2303</p>  <p>Campagnolo Cassette</p>	<p>W2712</p>  <p>Adjustable Locking Wrench. Carded.</p>

ELDI

<p>2642</p>  <p>Nipple Wrench. Dropped Forged. For Motorcycles.</p>	<p>W2415</p>  <p>Set of Allen Keys. 2,3,4,5,6,7,8mm Carded.</p>	<p>W2652</p>  <p>Sachs-Huret Remover Carded.</p>	<p>W2656</p>  <p>Shimano Dura Ace Remover. Carded.</p>
<p>W191</p>  <p>Nipple Key. Pressed. Carded.</p>	<p>2234</p>  <p>Metal Tyre Levers.</p>	<p>W2653</p>  <p>Maillard Atom Remover. Carded.</p>	<p>W2657</p>  <p>Shimano Hyperglide Remover. Carded.</p>
<p>W191A</p>  <p>Nipple Key. Chrome Vanadium. Drop Forged. Carded.</p>	<p>2606</p>  <p>Tyre Lever. 200mm. Steel Section.</p>	<p>W2654</p>  <p>Regina CX Remover. Carded.</p>	<p>W2655</p>  <p>Cotterless Crank Remover Carded.</p>
<p>W42</p>  <p>Nipple Key. 8 different slots. Carded.</p>	<p>2228</p>  <p>Tyre Lever. 300mm. Steel Section.</p>	<p>55</p>  <p>Bench Type Chain Rivet Extractor.</p>	<p>W50</p>  <p>Chain Rivet Extractor. Carded.</p>
<p>2600</p>  <p>Automatic Spoke Nipple Turner.</p>	<p>160</p>  <p>Third Hand Tool</p>	<p>327</p>  <p>Machinists Hammer. 500g. Ashwood Handle.</p>	<p>W2658</p>  <p>Copper Hammer. 500g. Ashwood Handle.</p>
<p>2335-00</p> <p>Shimano</p>  <p>2304 Shimano Compact</p>	<p>W2201</p>  <p>Freewheel Remover. Plus Lockring Spanner. Carded.</p>	<p>2261</p>  <p>Rubber Hammer. 55mm, 65mm, or 75mm.</p>	<p>6133</p>  <p>Plastic Hammer. 27,32,35,50mm. Ashwood Handle.</p>
<p>2420C</p>  <p>Set of Allen Keys. 3,4,5,6,8,10mm. In Handle.</p>	<p>W2644</p>  <p>Regina. Up to 3 Speed. Carded.</p>	<p>W2648</p>  <p>T.D. Cross. Carded.</p>	<p>287</p>  <p>Rubber Hammer. 55mm, 65mm, or 75mm.</p>
<p>2508 or 2509</p>  <p>2508 Allen Key. Chrome Vanadium. 2 - 10mm. 2509 Allen Key. Carbon Steel. 4 - 8mm.</p>	<p>W2644/1</p>  <p>Regina. For Multiple Freewheels. Carded.</p>	<p>W2649</p>  <p>Shimano Dura, Maillard, Suntuour remover. Carded.</p>	<p>1087</p>  <p>Aluminium Jaws for Vice. 100mm or 150mm.</p>
<p>2506</p>  <p>Allen Key with Handle. 5,6 or 8mm</p>	<p>W2645</p>  <p>Shimano. Carded.</p>	<p>W2650</p>  <p>Maillard or Normandy Remover. Carded.</p>	<p>2255</p>  <p>Figure Punches 4 or 5mm</p>
<p>W6058</p>  <p>T Handle Allen Key. Chrome Vanadium. 4,5,6, or 8mm</p>	<p>W2646</p>  <p>For Shimano Positron and Uniglide. Carded.</p>	<p>W2651</p>  <p>Suntuour Winner Remover Carded.</p>	

ELDI

<p>2525</p>  <p>Tool Set in Metal Box. Chrome Vanadium. 2 Flat Cold Chisels 125 & 140mm. 1 Cross cut chisel. 125mm. 2 drift punches & 1 centre punch 100mm.</p>	<p>2749A</p>  <p>Twist Drills. 19 pieces. 1 - 10mm with 1/2mm intervals.</p>	<p>2299</p>  <p>Pedal Thread Repair Set.</p>
<p>2254</p>  <p>Letter Punches 4 or 5mm.</p>	<p>3521</p>  <p>Junior Saw with Fixed Wooden Handle.</p>	<p>2179</p>  <p>Sets of 3 taps. M3 or M5. High Speed Steel. Taps available individually also (See 2177, 2539)</p>
<p>2526</p>  <p>5 Drift Punches & 1 Centre Punch.</p>	<p>272</p>  <p>Wire Brush. 2, 3, 4, or 5 rows.</p>	<p>2321</p>  <p>Adjustable Reamer. 21-24, 24-27.5, or 27.5-31.5mm.</p>
<p>2527</p>  <p>6 Pin Punches</p>	<p>2265A</p>  <p>Brass Wire Brushes.</p>	<p>400</p>  <p>Ratchet Tap Holder. M3 - M10.</p>
<p>2132</p>  <p>Centre Punch</p>	<p>E537</p>  <p>Head Tube Cutter and Facer. All 3 Sizes.</p>	<p>2311</p>  <p>Tap Holder. 5 Size ranges. 2641 or W541</p>
<p>2123</p>  <p>Flat Cold Chisel</p>	<p>E538</p>  <p>Bottom Bracket Facing Tool.</p>	<p>2233</p>  <p>Precision Pocket Vernier Calliper. Stainless Steel. W541 is carded economy type.</p>
<p>2162</p>  <p>Square File. 1st or 2nd cut. 150, 200, 250, or 300mm.</p>	<p>2269</p>  <p>Stock & Die. 1" x 24 T.P.I. 2307 or 2308 or 2310</p>	<p>2233A</p>  <p>Workshop Stand. Total Height 140cm.</p>
<p>2163</p>  <p>Flat File. 1st or 2nd cut. 150, 200, 250, or 300mm.</p>	<p>2295</p>  <p>Bottom Bracket Tap. English, French, or Italian.</p>	<p>2245</p>  <p>Wall Mounted Bicycle Holder.</p>
<p>2164</p>  <p>Half Round File. 1st or 2nd cut. 150, 200, 250, 300mm.</p>	<p>2297</p>  <p>Pedal Taps + Reamer. 5/8" x 24.</p>	<p>2340</p>  <p>Wheel Truing Jig.</p>
<p>114</p>  <p>File Handle. 100mm or 120mm</p>		

TERMS OF BUSINESS

This Price List supersedes all previous Price Lists issued. It details TRADE PRICES excluding VAT. VAT is charged at the current rate applicable at date of invoicing. All Prices are subject to increase without prior notice, therefore goods will be invoiced at the prices valid at the time of despatch.

1. **SETTLEMENT TERMS.** To assist the smaller user to compete with larger users on Special Discounts, 15% may be deducted off most items for orders of over £200 where payment is received in advance of despatch and where the account is up to date. This discount is on a single transaction basis only and is not to be combined with any other discount. For customers not taking advantage of this discount, 10% may be offered on invoices (except where items on the invoice are quoted as NETT) for accounts where payment is not overdue, and when offered may be taken providing full settlement is received within 7 days of the date of invoice.

2. **SPECIAL DISCOUNTS.** N.B. All Special Discounts offered are dependant upon payments being received within 30 days of the invoice date, unless some other term is specified on the invoice. This will be monitored on a daily basis. 2 working days will be allowed for postage, however it is up to our customers to ensure that accounts are sent in sufficient time, otherwise the discounted amount will be debited at our discretion.

For Framebuilders. Discounts may be negotiated, based on the previous year's turnover. However discounts will only be given to customers who keep strictly to our Terms of Business.

For Wholesalers. Some of our items may be of interest to the wholesale trade. Where these are ordered, a wholesale discount may be negotiated at the time of order based on the invoice being settled within a 30 day period. Because margins differ from item to item we cannot quote a general discount offered.

3. **OVERDUE ACCOUNTS.** All prices have been calculated for payment within our Terms of Business. Invoices will be initially surcharged at 15% on going overdue and then at 3% per month until payment is received. An account is deemed overdue if not paid by the end of the month following that in which the invoice was issued. Further goods will not be sent on accounts that are overdue.

4. **SHORTAGES AND ERRORS.** Any missing goods or goods delivered in error, must be reported in writing within 5 days of when the delivery was received. Goods not received at all must be reported in writing within 5 days of receipt of invoice. Responsibility cannot be accepted for errors or shortages if this is not adhered to. A credit cannot be given on any goods returned after 7 days from date of receipt. Where goods are supplied in error, they remain the responsibility of the consignee until accepted at our address in good condition.

5. **RETURNS.** Our agents are not authorised to collect returns or damaged goods. All goods must be returned carriage paid to our address. Goods returned without good reason, will be credited at 75% of their value. If goods are returned as faulty, a written explanation of where the fault lies must accompany the goods; otherwise no credit or replacement will be given. If the goods have been used then, if repairable, a repair may be made and the item returned, at our discretion. All goods remain the responsibility of the consignee until they are returned carriage paid, and accepted by us. Responsibility cannot be accepted for inaccuracies in ordering.

6. **DAMAGED GOODS.** Goods damaged in transit must be reported within 5 days of receipt, and returned carriage paid to our address. Any goods replaced for any reason will be invoiced, and a credit note issued upon their receipt at our address.

7. **OUT OF STOCK GOODS.** All out of stock goods will be placed on back order unless written instructions are received to the contrary. Back orders will be disregarded after 3 months.

8. **CARRIAGE.** Orders despatched to retailers, wholesalers or manufacturers under a value of £100.00 will attract carriage and handling charges at cost. This includes goods sent by carrier, Red Star, or post. Certain heavy or low profit items will also levy a carriage charge irrespective of value. Goods below a minimum of £20.00 will attract a service charge of £5.00.

9. **ALL GOODS REMAIN THE PROPERTY OF CEEWAY MARKETING UNTIL PAID FOR.**

CEEWAY MARKETING, 90 BELVEDERE ROAD,
BEXLEYHEATH, KENT, ENGLAND. DA7 4PF.
TEL: 0322 442990. FAX: 0322 442886.