



**This document is brought to you by courtesy of
the National Cycle Archive
In partnership with the
Veteran-Cycle Club**

Please acknowledge the source if you refer to this material.

Find out more about the National Cycle Archive [here](#)



SHIMANO®



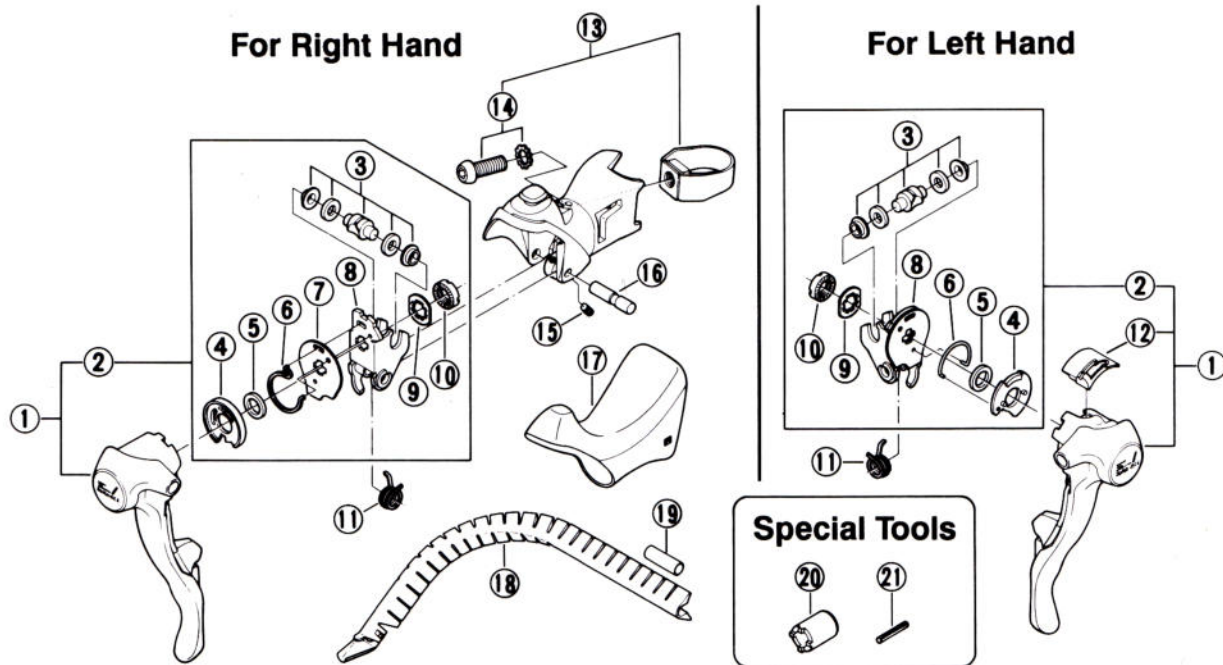
SPARE PARTS LIST
1991 PRODUCTS

TABLE OF CONTENTS

Page		Page	
1	ST-7400	24	CS-HG90-7K/CS-HG70/CS-HG50
2	ST-M092	25	CS-HG90-7L/CS-HG70/CS-HG50
3	ST-M090/ST-M091	26	CS-HG90-7M/CS-HG70/CS-HG50
4	ST-M070/ST-M071	27	BR-7403 49
5	ST-M060	28	BR-6403 49
6	ST-M050	29	BR-M650/BR-M651
7	ST-M020	30	BR-M734
8	ST-M010	31	BL-6403
9	ST-A050/BL-A050	32	BR-M352
10	SL-M100	33	BR-M201
11	RD-M100GS	34	BR-M100
12	FD-M651	35	BL-M201
13	FD-M301EC	36	BL-M100S
14	FD-M100	37	BL-M101
15	CS-7401 8U	38	FC-6400SC
16	CS-7401 8V	39	FC-M100
17	CS-7400 8/CS-7400 8H	40	BB-6400
18	CS-HG90-7E(B)/CS-HG70/CS-HG50	41	BB-M200
19	CS-HG90-7F(D)/CS-HG70/CS-HG50	42	PD-6402
20	CS-HG90-7G(C)/CS-HG70/CS-HG50	43	PD-M737
21	CS-HG90-7H/CS-HG70/CS-HG50	44	TL-CB10
22	CS-HG90-7I/CS-HG70/CS-HG50	45	SM-ST74
23	CS-HG90-7EJ/CS-HG70/CS-HG50		

ST-7400-R SHIMANO Total Integration DURA-ACE for Right Hand

ST-7400-L SHIMANO Total Integration DURA-ACE for Left Hand

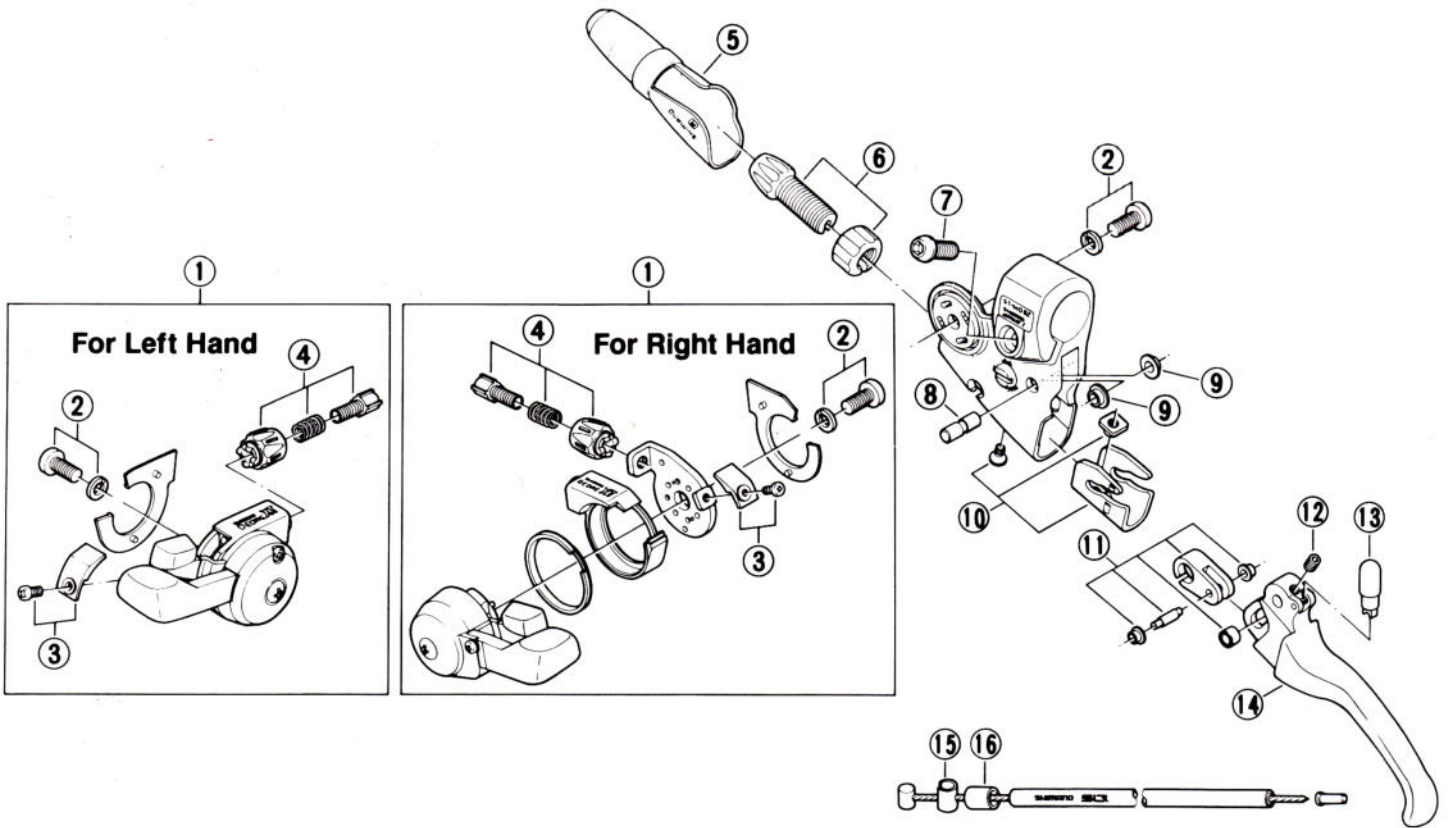


Q'TY	ITEM NO.	PART NO.	DESCRIPTION
	1	67D 9810	R.H. Main Lever Unit
		67D 9811	L.H. Main Lever Unit
	2	67D 9815	R.H. Adapter Unit
		67D 9816	L.H. Adapter Unit
	3	67D 9814	Wire Hook Unit
	4	67D 6900	R.H. Release Plate
		67D 1100	L.H. Release Plate
	5	67D 4200	Washer
	6	67D 8100	R.H. Spring for Release Plate
		67D 3800	L.H. Spring for Release Plate
	7	67D 8400	Dust Plate
	8	67D 9812	R.H. Adapter
		67D 9813	L.H. Adapter
	9	67D 4300	Non-Turn Washer
	10	67D 2200	Lock Nut
		88B 0700	R.H. Return Spring
	11	88B 0800	L.H. Return Spring
		67D 1000	Cover Only for L.H. Main Lever
	12	67D 1000	Cover Only for L.H. Main Lever
	13	67D 9817	Clamp Band Unit (φ23.8mm - φ24.2mm)
	14	67D 9819	Clamp Bolt (M6 x 18) & Teethed Washer
	15	884 1400	Lever Axle Fixing Screw
	16	88B 0500	Lever Axle
	17	88B 9801	Bracket Covers (Pair / Black)
		88B 9802	Bracket Covers (Pair / White)
	18	86B 9001	Outer Cable Guide
	19	877 1100	Outer Cable Joint (Option)
	20	130 0300	Lock Nut Removal Tool (TL-ST01)
	21	130 0310	Return Spring Installation Tool (TL-ST02)

AP 9009-1144B

ST-M092-R Rapidfire DEORE XT for Right Hand / 2-Finger Type

ST-M092-L Rapidfire DEORE XT for Left Hand / 2-Finger Type



A : Same parts.
 B : Parts usable, but differ in materials, appearance, finish, size, etc.
 Absence of mark indicates non-interchangeability.
 The table indicates the adaptability of conventional parts to ST-M092.

ST-M090/M091
 ST-M070/M071

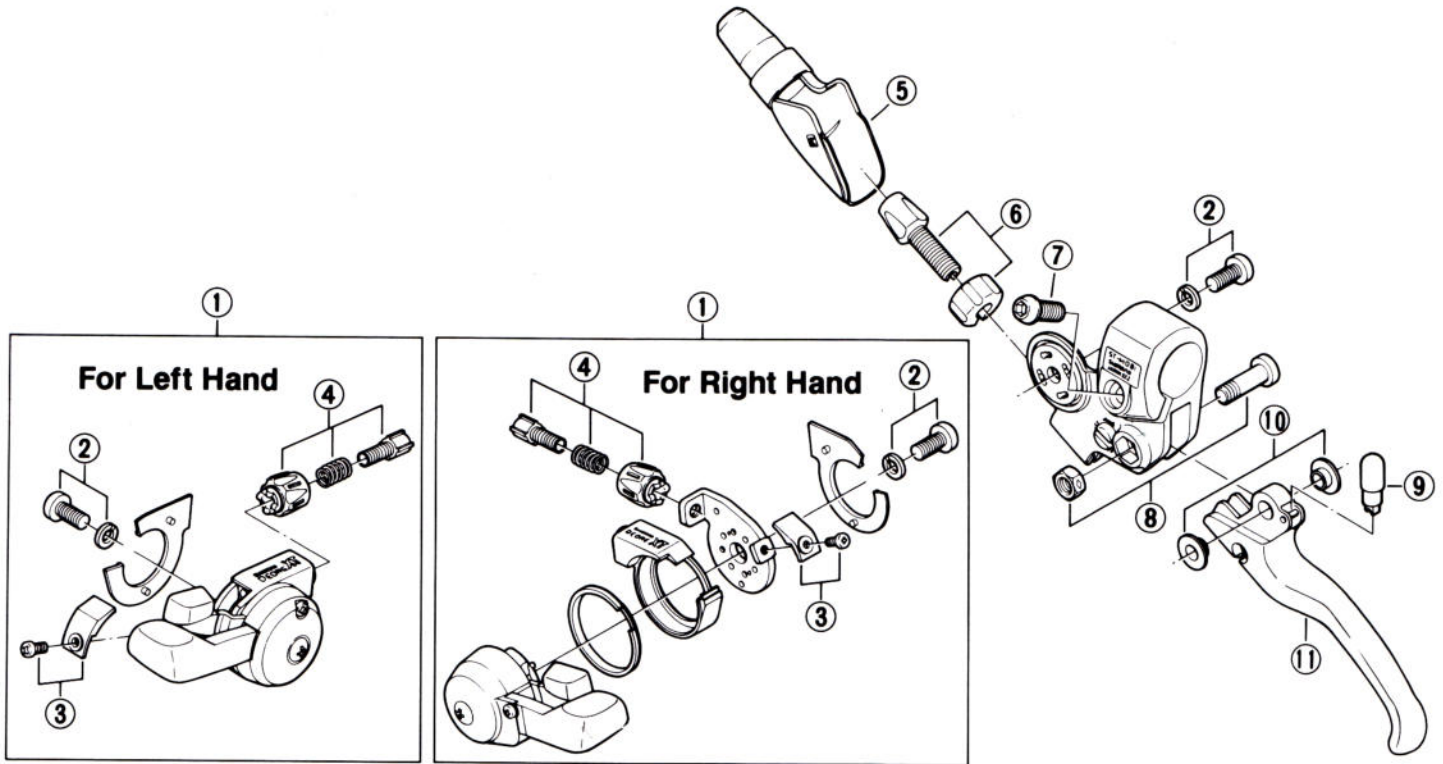
	Q'TY	ITEM NO.	PART NO.	DESCRIPTION	INTERCHANGEABILITY
		1	66V 9100	R.H. Shifting Lever Unit	A B
			66V 9201	L.H. Shifting Lever Unit	A B
		2	66A 9803	Shifting Lever Fixing Bolt (M5 x 11.5) & Spring Washer	A A
		3	66V 9802	R.H. Wire End Hooking Cover & Screw	A A
			66V 9804	L.H. Wire End Hooking Cover & Screw	A A
		4	66B 9803	Cable Adjusting Barrel Unit	A A
		5	87N 9802	Lever Cover (Pair)	
		6	87N 9801	Brake Cable Adjusting Bolt & Nut (M10)	
		7	87A 0600	Clamp Bolt (M6 x 16)	A A
		8	87N 1200	Lever Axle	
		9	87N 1300	Lever Axle Bushing	
		10	87N 9804	Cam Unit	
		11	87N 9806	R.H. Wire Hook Unit	
			87N 9807	L.H. Wire Hook Unit	
		12	87N 2600	Lever Axle Fixing Bolt	
		13	87W9805	Spring Piston Unit	A A
		14	87N 9803	Brake Lever Body	
		15	87A 2100	Wire End Adapter	A
		16	87A 2000	Outer Cap	A

AP 9011-1152A

DEORE XT Rapidfire

ST-M090-R 4-Finger Type For Right Hand
ST-M090-L 4-Finger Type For Left Hand

ST-M091-R 2-Finger Type For Right Hand
ST-M091-L 2-Finger Type For Left Hand



A : Same parts.

B : Parts usable, but differ in materials, appearance, finish, size, etc.

Absence of mark indicates non-interchangeability.

The table indicates the adaptability of conventional parts to ST-M090 / M091.

Q'TY	ITEM NO.	PART NO.	DESCRIPTION	INTERCHANGEABILITY
	1	66V 9100	R.H. Shifting Lever Unit	A B
		66V 9201	L.H. Shifting Lever Unit	A B
	2	66A 9803	Shifting Lever Fixing Bolt (M5 x 11.5) & Spring Washer	A A
	3	66V 9802	R.H. Wire End Hooking Cover & Screw	A A
		66V 9804	L.H. Wire End Hooking Cover & Screw	A A
	4	66B 9803	Cable Adjusting Barrel Unit	A A A A
	5	87T 9805	Lever Cover (Pair)	
	6	87A 9802	Brake Cable Adjusting Bolt & Nut	B B
	7	87A 0600	Clamp Bolt (M6 x 16)	A A
	8	87T 9804	Lever Axle Bolt & Nut	B
	9	87W9805	Spring Piston Unit	A A
	10	87T 9803	Bushing (2pcs.)	A
	11	87T 9811	ST-M090 R.H. Brake Lever Body / 4-Finger Type	B
		87T 9812	ST-M090 L.H. Brake Lever Body / 4-Finger Type	B
		87T 9801	ST-M091 R.H. Brake Lever Body / 2-Finger Type	B
		87T 9802	ST-M091 L.H. Brake Lever Body / 2-Finger Type	B
	12	87A 2100	Wire End Adapter	A
	13	87A 2000	Outer Cap	A

ST-M092
 ST-M070/M071
 ST-M060
 ST-M050

AP 9011-1097D

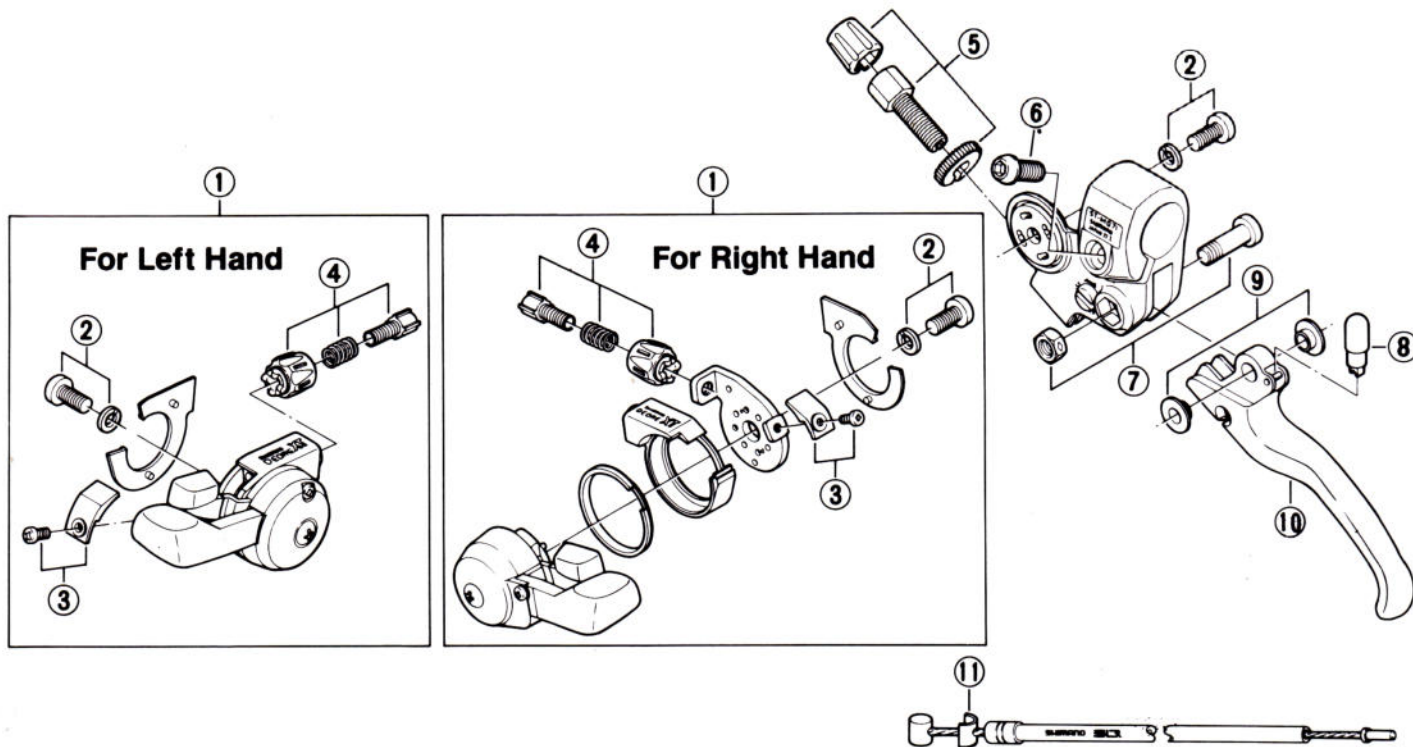
DEORE DX Rapidfire

ST-M070-R 4-Finger Type
For Right Hand

ST-M070-L 4-Finger Type
For Left Hand

ST-M071-R 2-Finger Type
For Right Hand

ST-M071-L 2-Finger Type
For Left Hand



A : Same parts.

B : Parts usable, but differ in materials, appearance, finish, size, etc.

Absence of mark indicates non-interchangeability.

The table indicates the adaptability of conventional parts to ST-M070 / M071.

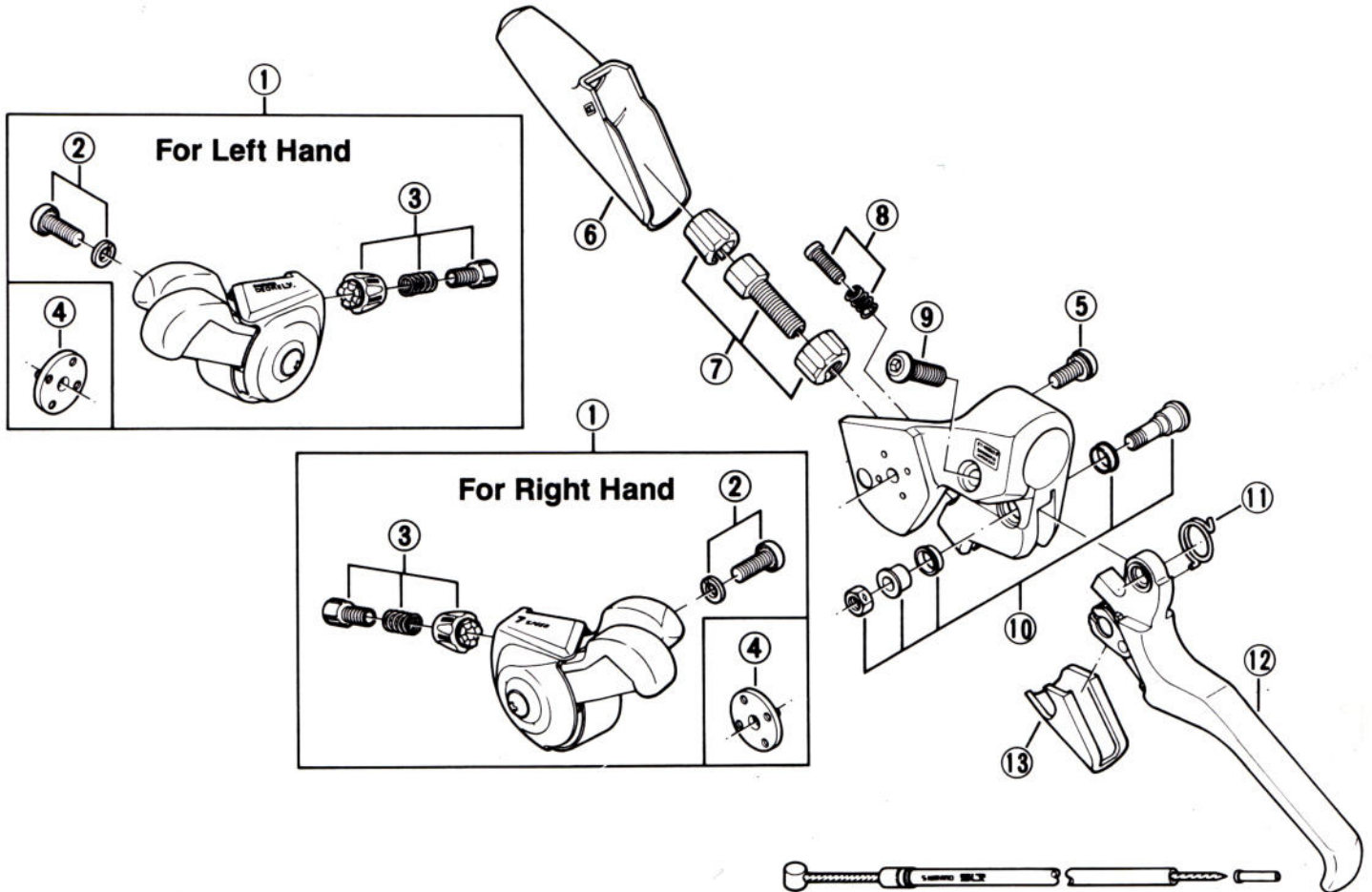
ST-M092
ST-M090/M091
ST-M060
ST-M050

	Q'TY	ITEM NO.	PART NO.	DESCRIPTION	INTERCHANGEABILITY
		1	66V 9100	R.H. Shifting Lever Unit	B B
			66V 9201	L.H. Shifting Lever Unit	B B
		2	66A 9803	Shifting Lever Fixing Bolt (M5 x 11.5) & Spring Washer	A A
			66V 9802	R.H. Wire End Hooking Cover & Screw	A A
		3	66V 9804	L.H. Wire End Hooking Cover & Screw	A A
			66B 9803	Cable Adjusting Barrel Unit	A A A A
		5	87U 9804	Brake Cable Adjusting Bolt Unit	B B
		6	87A 0600	Clamp Bolt (M6 x 16)	A A
		7	87S 9803	Lever Axle Bolt & Nut	B
		8	87W9805	Spring Piston Unit	A A
		9	87T 9803	Bushing (2pcs.)	A
			87S 9811	ST-M070 R.H. Brake Lever Body / 4-Finger Type	B
		10	87S 9812	ST-M070 L.H. Brake Lever Body / 4-Finger Type	B
			87S 9801	ST-M071 R.H. Brake Lever Body / 2-Finger Type	B
			87S 9802	ST-M071 L.H. Brake Lever Body / 2-Finger Type	B
			893 0900	Wire End Adapter	

AP 9011-1098D

ST-M060-R Rapidfire DEORE LX for Right Hand

ST-M060-L Rapidfire DEORE LX for Left Hand



A : Same parts.

B : Parts usable, but differ in materials, appearance, finish, size, etc.

Absence of mark indicates non-interchangeability.

The table indicates the adaptability of conventional parts to ST-M060.

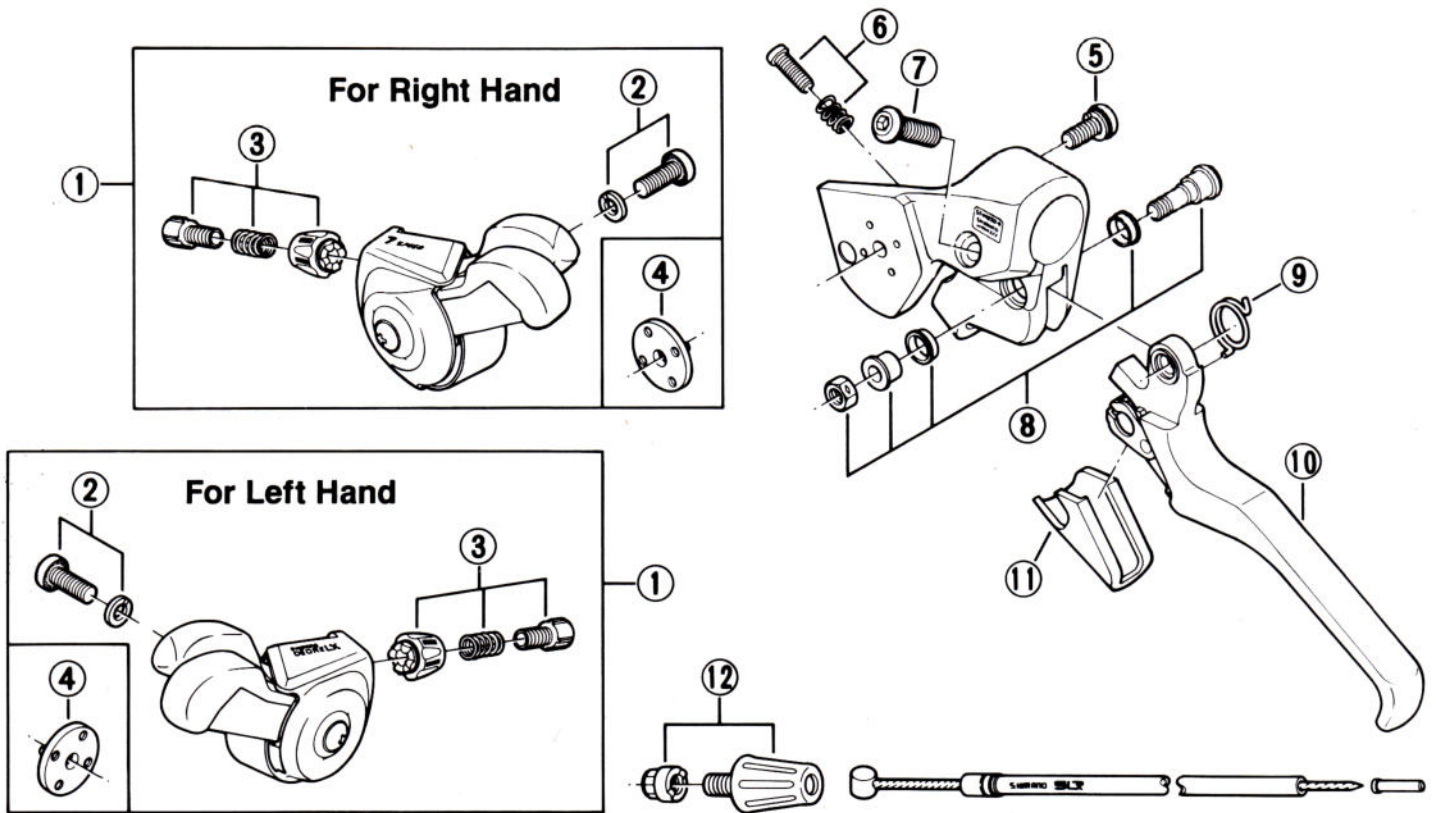
ST-M092
ST-M090/M091
ST-M070/M071
ST-M050

	Q'TY	ITEM NO.	PART NO.	DESCRIPTION	INTERCHANGEABILITY
		1	64G 9801	R.H. Shifting Lever Unit	A
			64G 9802	L.H. Shifting Lever Unit	B
		2	64F 9802	Shifting Lever Fixing Bolt (M5 x 14.5) & Spring Washer	A
		3	66B 9803	Cable Adjusting Barrel Unit	A A A A
		4	64F 5700	Adapter	A
		5	64F 9801	Shifting Lever Fixing Bolt (M5 x 12) w/Spring Washer	B B B B
		6	86P 9801	Lever Cover (Pair)	
		7	86P 9803	Brake Cable Adjusting Bolt Unit	
		8	85J 9806	Grip Adjusting Screw (M4 x 13) & Spring	A
		9	85W0900	Clamp Bolt (M6 x 20)	A
		10	86R 9817	Lever Axle A Unit	A
		11	86U 0500	Lever Spring	A
			86R 9815	R.H. Brake Lever Body for 4-Finger Type	A
			86R 9816	L.H. Brake Lever Body for 4-Finger Type	A
			86R 9811	R.H. Brake Lever Body for 3-Finger Type	A
			86R 9812	L.H. Brake Lever Body for 3-Finger Type	A
			86R 9805	R.H. Wire Hooking Cap for 4-Finger Type	A
			86R 9806	L.H. Wire Hooking Cap for 4-Finger Type	A
			86R 9813	R.H. Wire Hooking Cap for 3-Finger Type	A
			86R 9814	L.H. Wire Hooking Cap for 3-Finger Type	A

AP 9010-1084C

ST-M050-R Rapidfire For Right Hand

ST-M050-L Rapidfire For Left Hand



A : Same parts.
 B : Parts usable, but differ in materials, appearance, finish, size, etc.
 Absence of mark indicates non-interchangeability.
 The table indicates the adaptability of conventional parts to ST-M050.

ST-M090/M091
 ST-M070/M071
 ST-M060
 ST-M020

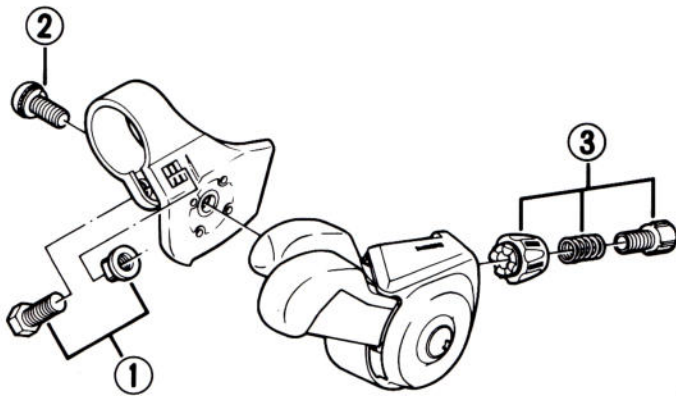
Q'TY	ITEM NO.	PART NO.	DESCRIPTION	INTERCHANGEABILITY
	1	64G 9801	R.H. Shifting Lever Unit	A A
		64G 9802	L.H. Shifting Lever Unit	B A
	2	64F 9802	Shifting Lever Fixing Bolt (M5 x 14.5) & Spring Washer	A B
	3	66B 9803	Cable Adjusting Barrel Unit	A A A A
	4	64F 5700	Adapter	A
	5	64F 9801	Shifting Lever Fixing Bolt (M5 x 12) w/Spring Washer	B B B A
	6	85J 9806	Grip Adjusting Screw (M4 x 13) & Spring	A
	7	85W0900	Clamp Bolt (M6 x 20)	A
	8	86R 9817	Lever Axle A Unit	A
	9	86U 0500	Lever Spring	A
	10	86R 9815	R.H. Brake Lever Body for 4-Finger Type	A
		86R 9816	L.H. Brake Lever Body for 4-Finger Type	A
		86R 9811	R.H. Brake Lever Body for 3-Finger Type	A
		86R 9812	L.H. Brake Lever Body for 3-Finger Type	A
	11	86R 9805	R.H. Wire Hooking Cap for 4-Finger Type	A
		86R 9806	L.H. Wire Hooking Cap for 4-Finger Type	A
		86R 9813	R.H. Wire Hooking Cap for 3-Finger Type	A
		86R 9814	L.H. Wire Hooking Cap for 3-Finger Type	A
	12	86U 9801	Brake Cable Adjusting Bolt & Nut	

AP 9010-1085D

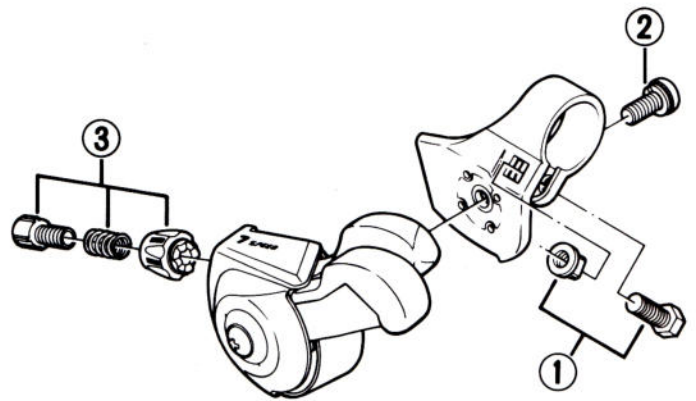
ST-M020-R Rapidfire
For Right Hand

ST-M020-L Rapidfire
For Left Hand

For Left Hand



For Right Hand



A : Same parts.

B : Parts usable, but differ in materials, appearance, finish, size, etc.

Absence of mark indicates non-interchangeability.

The table indicates the adaptability of conventional parts to ST-M020.

Q'TY	ITEM NO.	PART NO.	DESCRIPTION	INTERCHANGEABILITY	
	1	66B 9807	Bracket Fixing Screw (M5 x 16) & Nut		
	2	64F 9801	Shifting Lever Fixing Bolt (M5 x 12) w/Spring Washer	B	B
	3	66B 9803	Cable Adjusting Barrel Unit	A	A

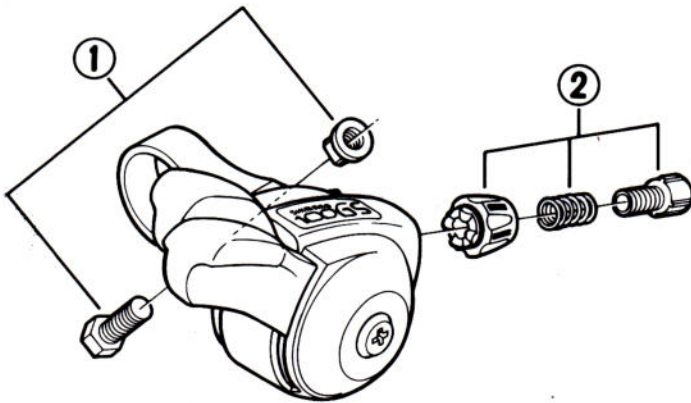
ST-M060

ST-M050

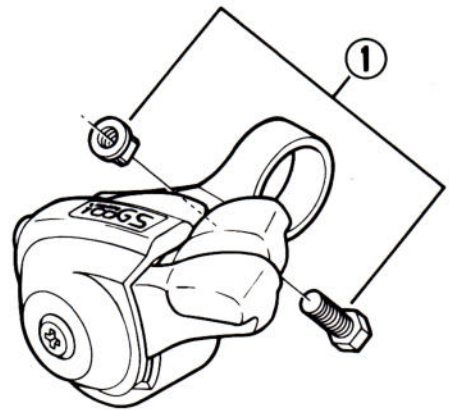
AP 9010-1087C

ST-M010-R Rapidfire SHIMANO 100GS / For Right Hand
ST-M010-L Rapidfire SHIMANO 100GS / For Left Hand

For Left Hand



For Right Hand



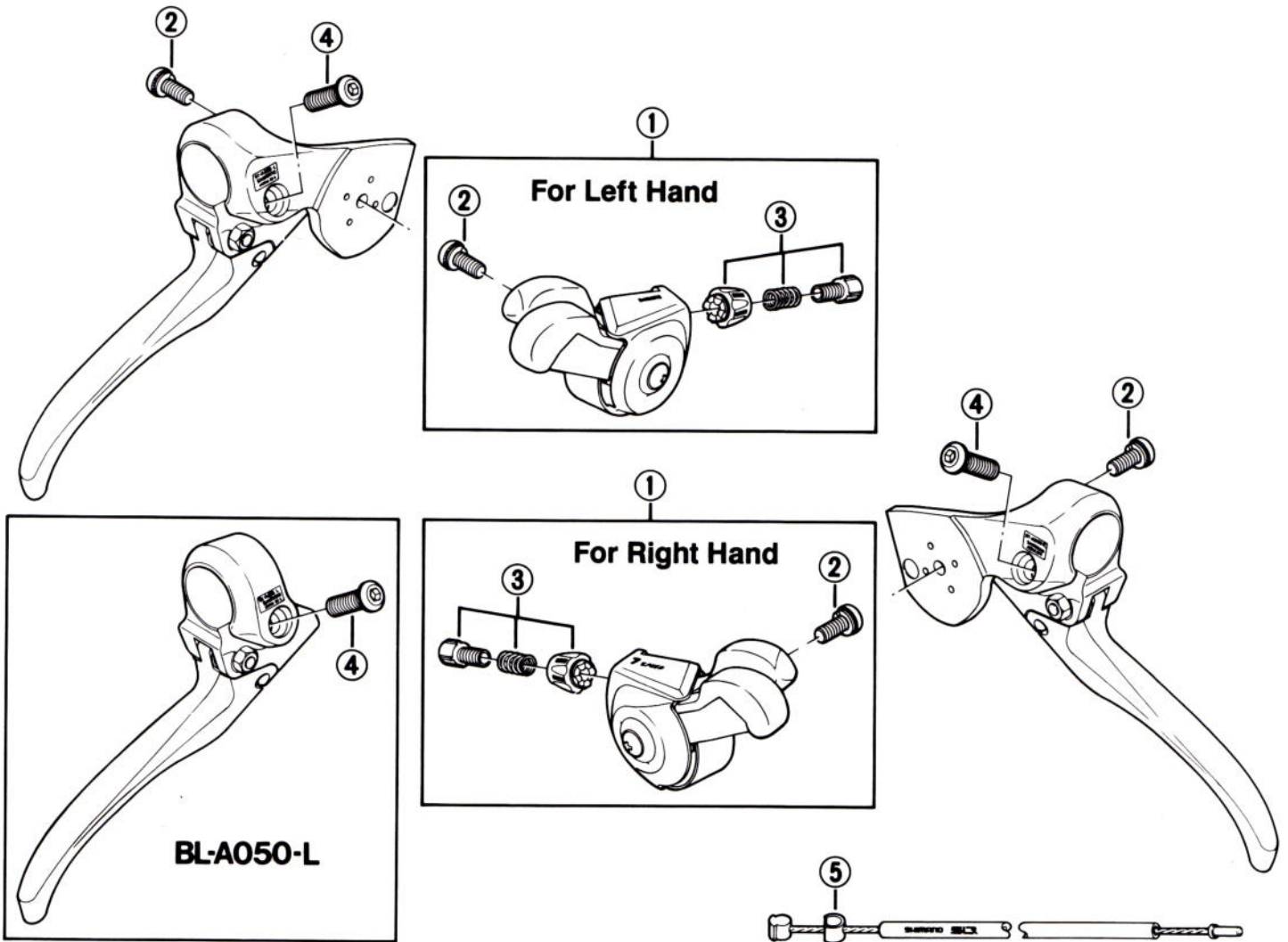
Q'TY	ITEM NO.	PART NO.	DESCRIPTION
	1	66B 9807	Bracket Fixing Screw (M5 x 16) & Nut
	2	66B 9803	Cable Adjusting Barrel Unit

AP 9006-1156

ST-A050-R Rapidfire
For Right Hand

ST-A050-L Rapidfire
For Left Hand

BL-A050-L Left Hand Brake Lever



A : Same parts.

B : Parts usable, but differ in materials, appearance, finish, size, etc.

Absence of mark indicates non-interchangeability.

The table indicates the adaptability of conventional parts to ST-A050 / BL-A050-L.

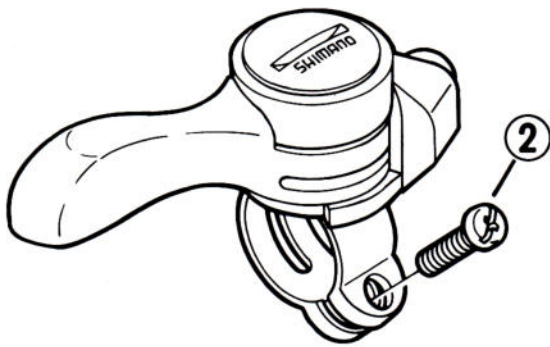
Q'TY	ITEM NO.	PART NO.	DESCRIPTION	INTERCHANGEABILITY	
				ST-M050	ST-M020
	1	64H 9012	R.H. Shifting Lever Unit	A	A
		64H 9030	L.H. Shifting Lever Unit	A	A
	2	64F 9801	Shifting Lever Fixing Bolt (M5 x 12) w/Spring Washer	B	A
	3	66B 9803	Cable Adjusting Barrel Unit	A	A
	4	85W0900	Clamp Bolt (M6 x 20)	A	
	5	85W2000	Wire End Adapter		

AP 9010-1099C

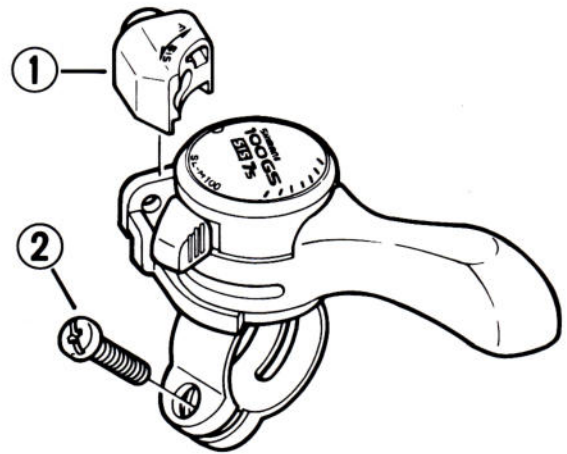
SL-M100-R SIS Shifting Lever
SHIMANO 100GS for Rear

SL-M100-F Shifting Lever
SHIMANO 100GS for Front

For Front Lever



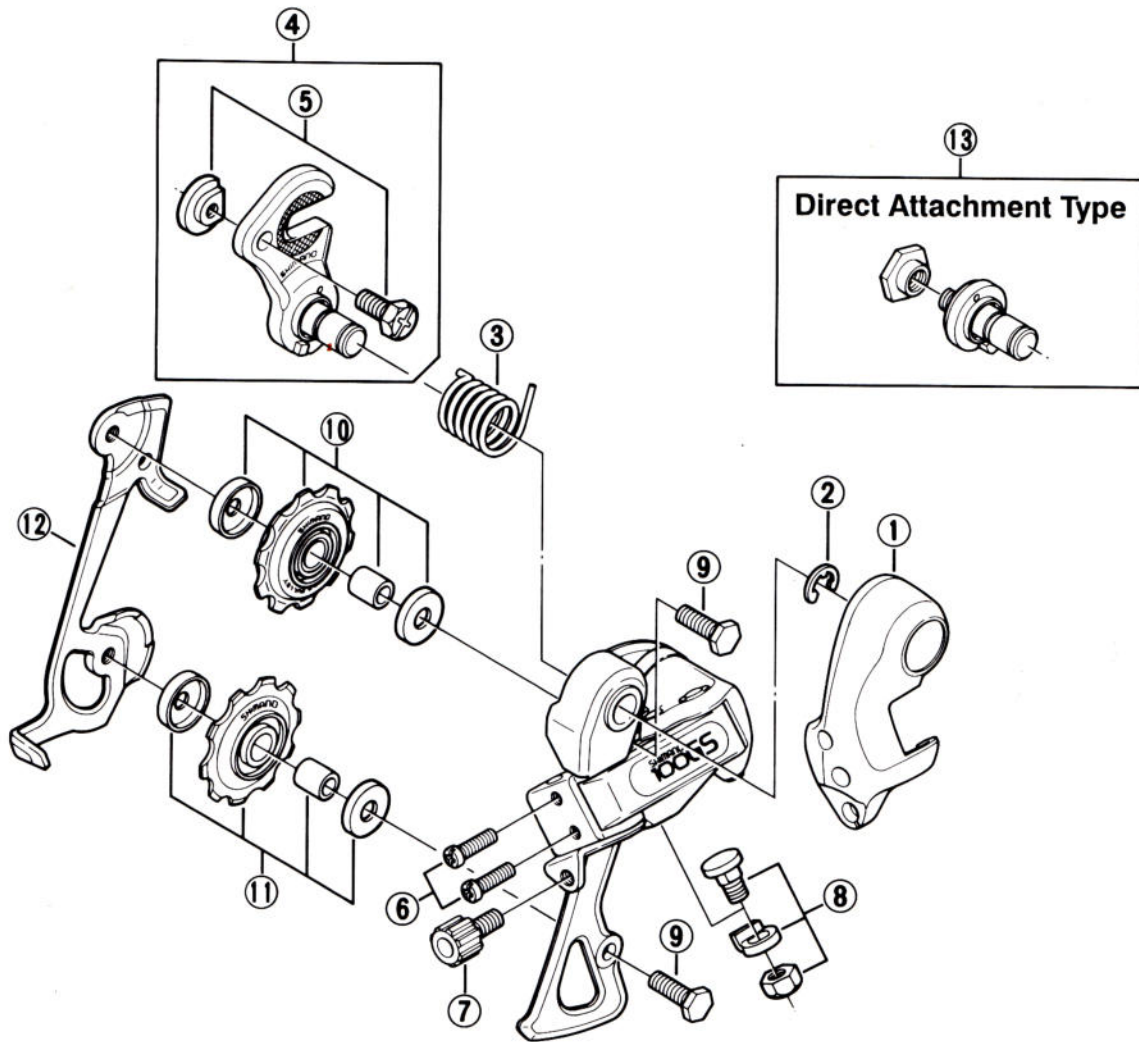
For Rear Lever



Q'TY	ITEM NO.	PART NO.	DESCRIPTION
	1	62G 0310	Bracket Cover for Rear
	2	000 1112	Clamp Screw (M5 x 13)

AP 9005-1142A

RD-M100-GS Rear Derailleur SHIMANO 100GS / Long Cage



A : Same parts.

B : Parts usable, but differ in materials, appearance, finish, size, etc.

Absence of mark indicates non-interchangeability.

The table indicates the adaptability of conventional parts to RD-M100-GS.

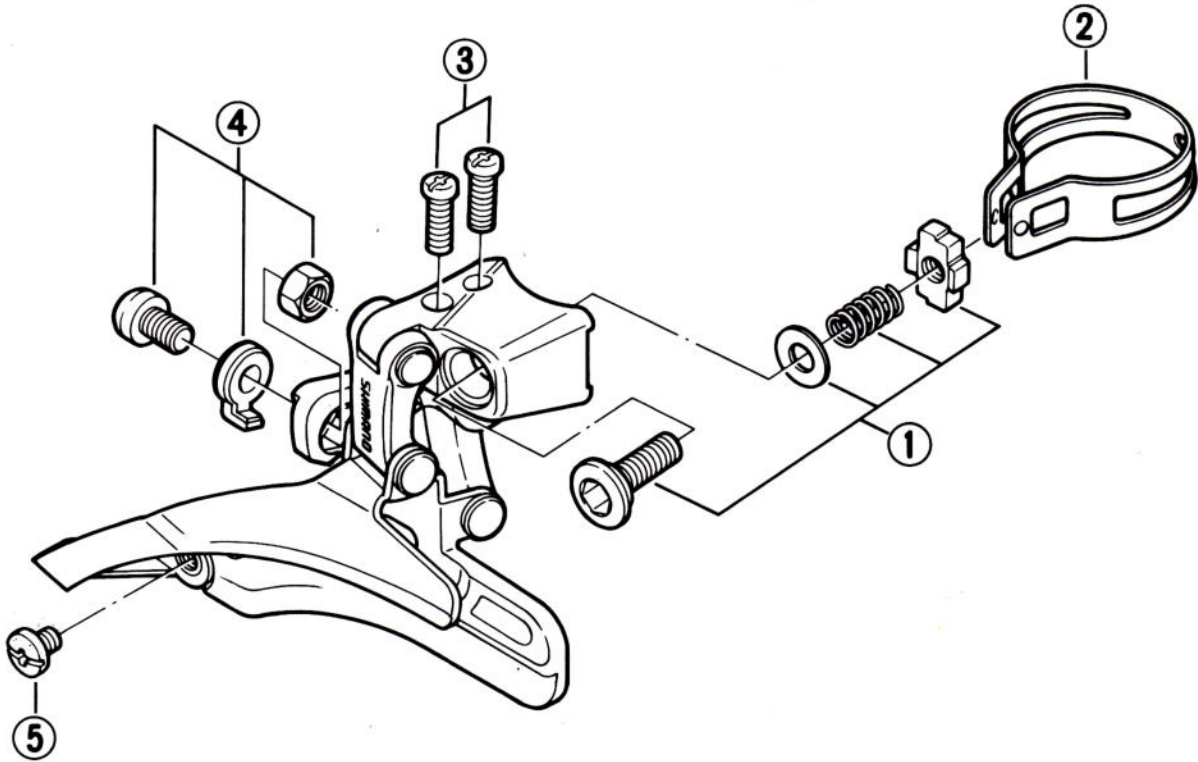
RD-M300-GS

RD-M200-GS

Q'TY	ITEM NO.	PART NO.	DESCRIPTION	INTERCHANGEABILITY
	1	52M 9801	Bracket Body Cover	
	2	521 3001	Stop Ring (ø6mm)	
	3	52M 1300	B-Tension Spring	
	4	52M 9803	Bracket Unit	
	5	525 9801	Bracket Screw (M5 x 11.5) & Nut	A A
	6	517 9802	Stroke Adjusting Screws (M4 x 14.5) 2pcs.	B B
	7	52M 2100	Cable Adjusting Barrel	
	8	51G 9805	Cable Fixing Bolt Unit	A A
	9	524 7200	Pulley Bolt	A A
	10	563 9837	Guide Pulley Unit	A A
	11	563 9839	Tension Pulley Unit	A A
	12	511 0402	Inner Plate	A A
	13	52M 9802	Bracket Axle Unit for Direct Attachment Type	A A

AP 9006-1159

FD-M651 Front Derailleur Endless Clamp Type



A : Same parts.

B : Parts usable, but differ in materials, appearance, finish, size, etc.

Absence of mark indicates non-interchangeability.

The table indicates the adaptability of conventional parts to FD-M651.

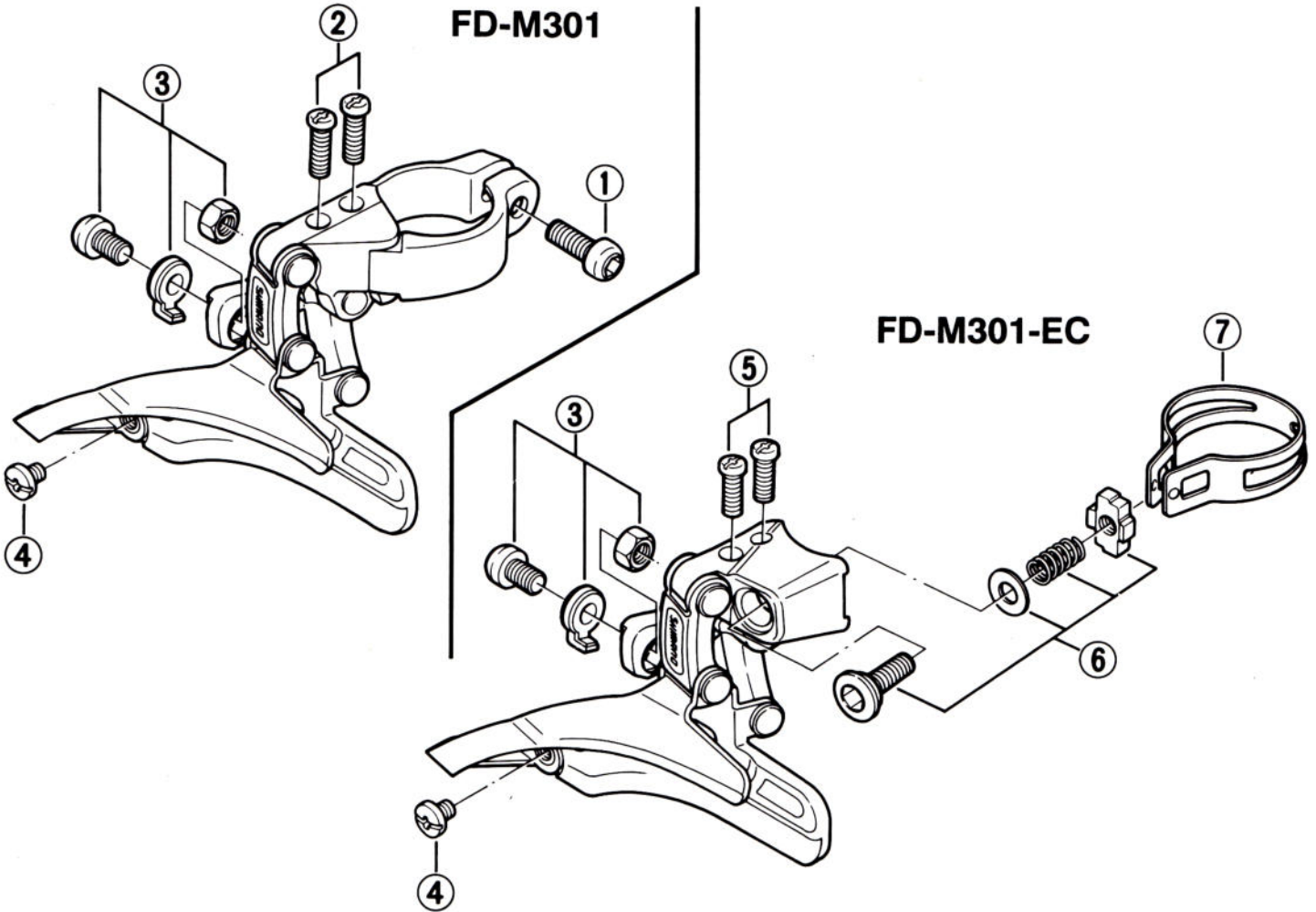
FD-M735-EC
FD-M650-EC
FD-MT62-EC

Q'TY	ITEM NO.	PART NO.	DESCRIPTION	INTERCHANGEABILITY
	1	570 9806	Clamp Bolt Unit (M5 x 18.8)	B B B
	2	590 4200	Clamp Band ϕ 28.6mm(1-1/8")	B B B
		579 3200	Clamp Band ϕ 31.8mm(1-1/4")	B B B
		570 1800	Clamp Band ϕ 34.9mm(1-3/8")	B B B
	3	570 9805	Stroke Adjusting Screws (M4 x 13) 2pcs.	B B B
	4	583 9801	Cable Fixing Bolt Unit (M5 x 8.5)	B B B
	5	583 7101	Chain Guide Fixing Screw	A A A

AP 9007-1161

FD-M301 Front Derailleur

FD-M301-EC Front Derailleur Endless Clamp Type



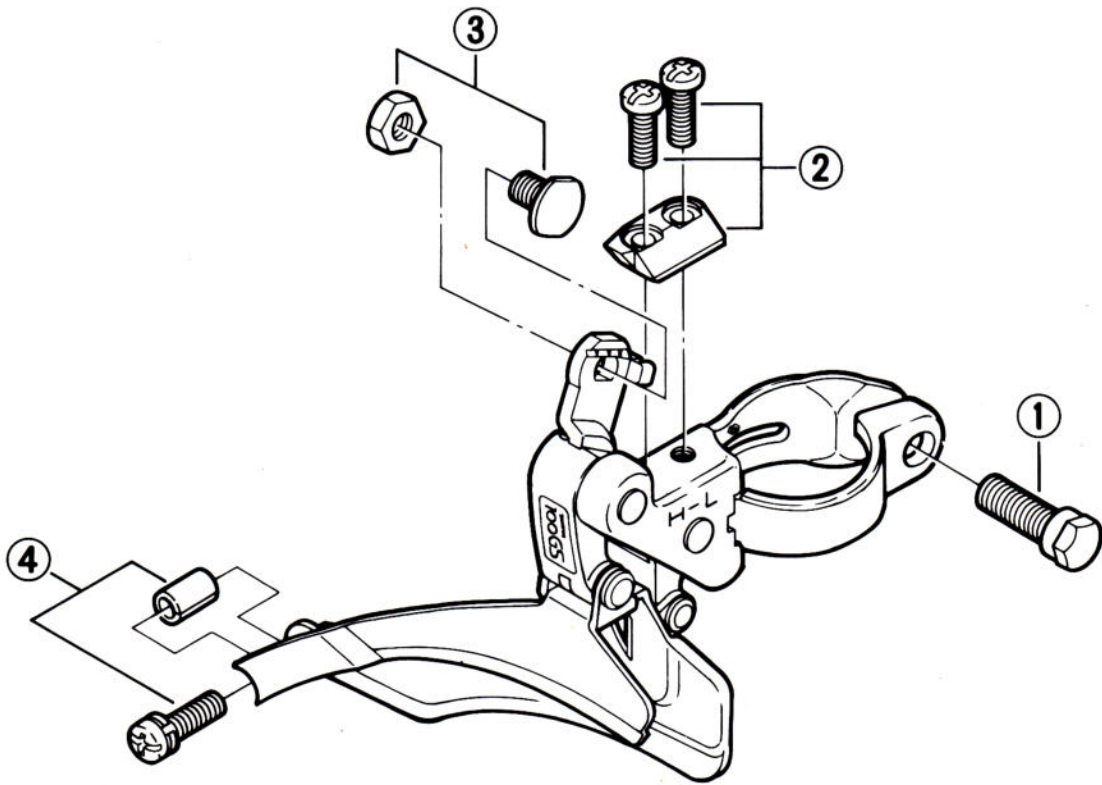
A : Same parts.
 B : Parts usable, but differ in materials, appearance, finish, size, etc.
 Absence of mark indicates non-interchangeability.
 The table indicates the adaptability of conventional parts to FD-M301 / M301-EC.

FD-M65J
 FD-M400
 FD-M300

	Q'TY	ITEM NO.	PART NO.	DESCRIPTION	INTERCHANGEABILITY
		1	570 1400	Clamp Bolt (M5 x 15)	A A
		2	57K 9801	Stroke Adjusting Screws (M4 x 14.5) 2pcs.	B A A
		3	583 9801	Cable Fixing Bolt Unit (M5 x 8.5)	A B B
		4	583 7101	Chain Guide Fixing Screw	A A A
		5	570 9805	Stroke Adjusting Screws (M4 x 13) 2pcs. for EC-Type	A B B
		6	570 9804	Clamp Bolt Unit (M5 x 16.8) for EC-Type	B B B
		7	570 1800	Clamp Band ϕ 34.9mm(1-3.3") for EC-Type	A B B

AP 9007-1162

FD-M100 Front Derailleur SHIMANO 100GS



A : Same parts.

B : Parts usable, but differ in materials, appearance, finish, size, etc.

Absence of mark indicates non-interchangeability.

The table indicates the adaptability of conventional parts to FD-M100.

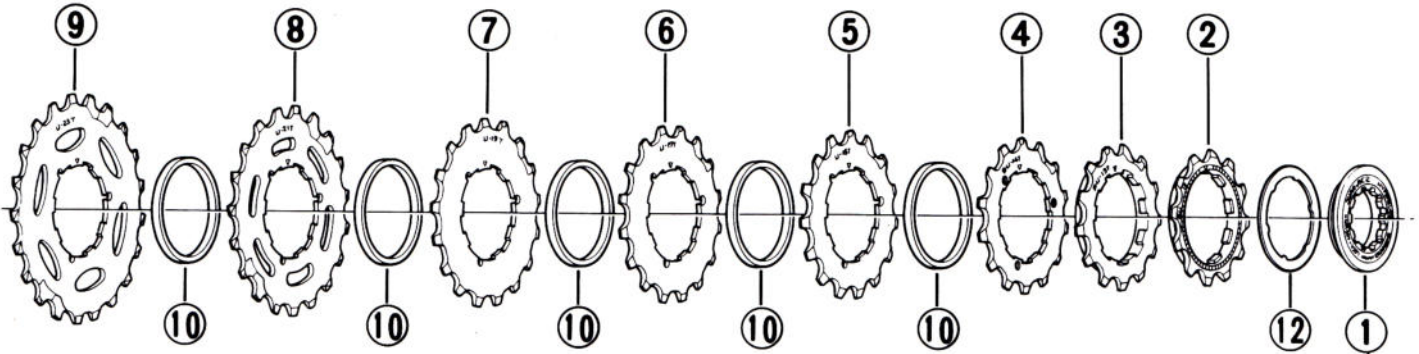
FD-M200/M201

FD-TY25

Q'TY	ITEM NO.	PART NO.	DESCRIPTION	INTERCHANGEABILITY
	1	576 1500	Clamp Bolt	A A
	2	59Y 9801	Stroke Adjusting Screws (M4 x 13) & Plate	A A
	3	576 9802	Cable Fixing Bolt & Nut	A A
	4	57B 9801	Roller & Roller Fixing Screw	A A

AP 9004-1147

CS-7401-8U HG Cassette Sprocket DURA-ACE/8-Speed/U-Group



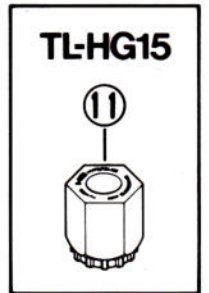
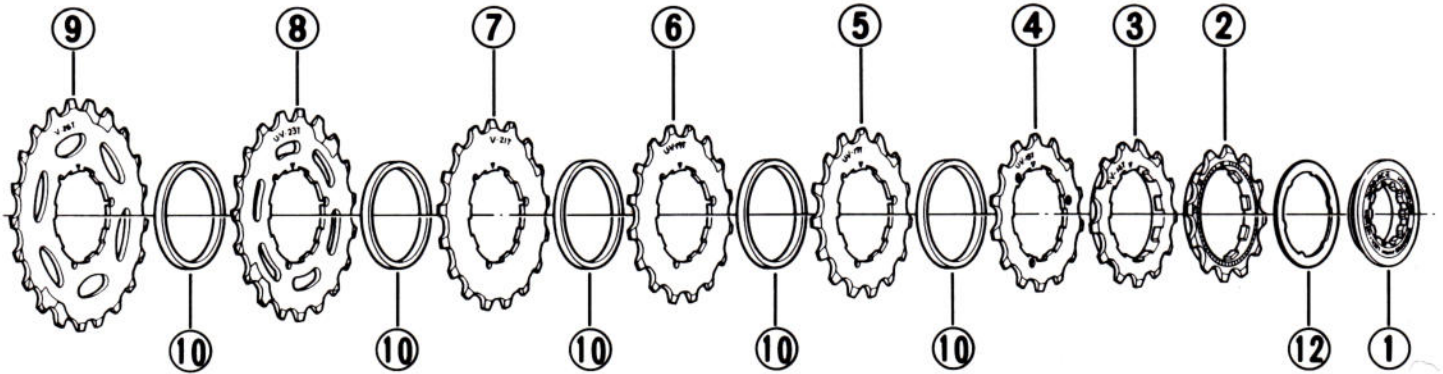
- U-group sprocket teeth combination: 12-13-14-15-17-19-21-23T
- Note: Use only the sprockets of U-group together.

	Q'TY	ITEM NO.	PART NO.	DESCRIPTION
		1	11W0100	Lock Ring
		2	11F 1219-3	Sprocket Wheel 12T (Built in spacer type)
		3	11F 1319-3	Sprocket Wheel 13T (Built in spacer type)
		4	11F 1419-3	Sprocket Wheel 14T
		5	11F 1521-3	Sprocket Wheel 15T
		6	11F 1721-3	Sprocket Wheel 17T
		7	11F 1921-3	Sprocket Wheel 19T
		8	11F 2121-3	Sprocket Wheel 21T
		9	11F 2321-3	Sprocket Wheel 23T
		10	103 4200	Sprocket Spacer (t=3.0mm)
		11	120 0918	Lock Ring Removal Tool (TL-HG15)
		12	11W0200	Lock Ring Spacer

AP 9008-1141A

CS-7401 -8V HG Cassette Sprocket

DURA-ACE / 8-Speed / V-Group

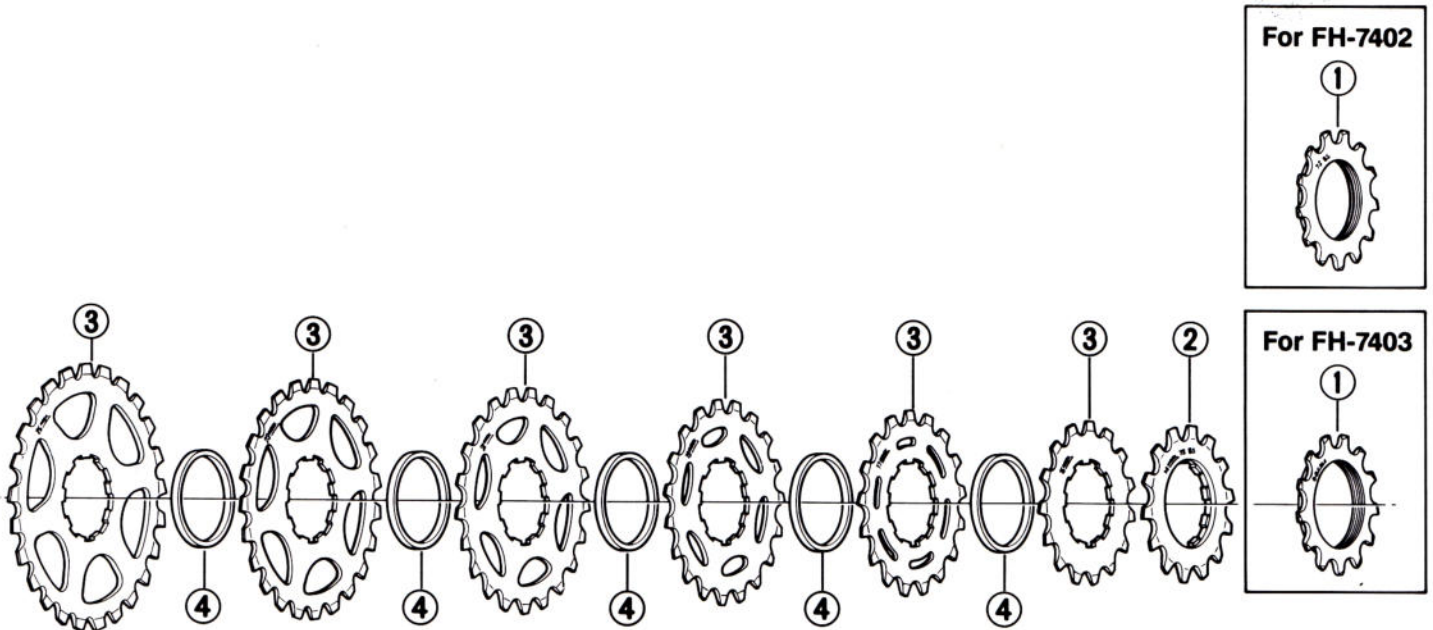


- V-group sprocket teeth combination: 13-14-15-17-19-21-23-26T
- Note: Use only the sprockets of V-group together.

QTY	ITEM NO.	PART NO.	DESCRIPTION
	1	11W0100	Lock Ring
	2	11F 1320-3	Sprocket Wheel 13T (Built in spacer type)
	3	11F 1420-3	Sprocket Wheel 14T (Built in spacer type)
	4	11F 1521-3	Sprocket Wheel 15T
	5	11F 1721-3	Sprocket Wheel 17T
	6	11F 1921-3	Sprocket Wheel 19T
	7	11F 2122-3	Sprocket Wheel 21T
	8	11F 2321-3	Sprocket Wheel 23T
	9	11F 2622-3	Sprocket Wheel 26T
	10	103 4200	Sprocket Spacer (t=3.0mm)
	11	120 0918	Lock Ring Removal Tool (TL-HG15)
	12	11W0200	Lock Ring Spacer

AP 9010-1166

DURA-ACE UG Cassette Sprocket (8-Speed / Silver Gear)
CS-7400-8 For FH-7402 **CS-7400-8H** For FH-7403

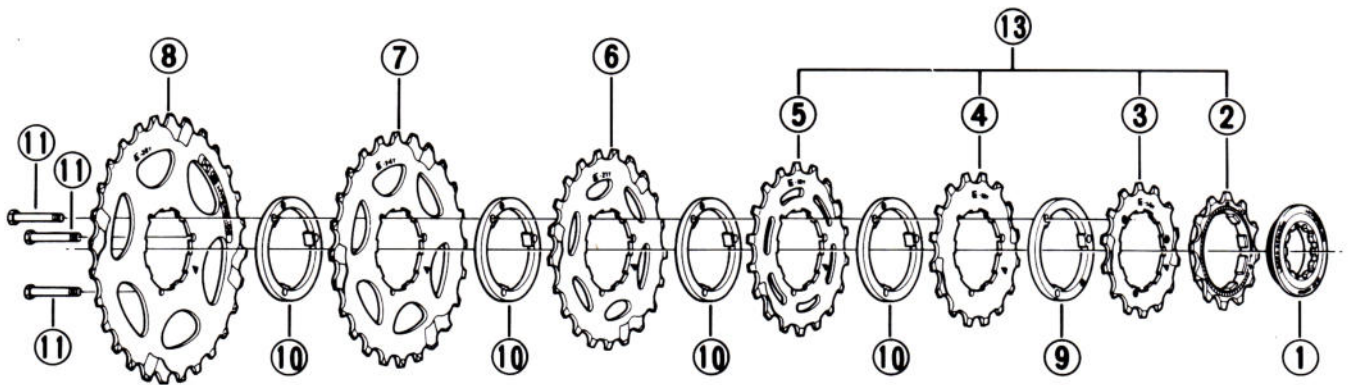


Q'TY	ITEM NO.	PART NO.	DESCRIPTION	
	1	106 1210	Sprocket Wheel 12T (Silver / B.C.32) for FH-7402	
		106 1310	Sprocket Wheel 13T (Silver / B.C.32) for FH-7402	
		106 1410	Sprocket Wheel 14T (Silver / B.C.32) for FH-7402	
		106 1510	Sprocket Wheel 15T (Silver / B.C.32) for FH-7402	
		106 1610	Sprocket Wheel 16T (Silver / B.C.32) for FH-7402	
		106 1710	Sprocket Wheel 17T (Silver / B.C.32) for FH-7402	
		106 1810	Sprocket Wheel 18T (Silver / B.C.32) for FH-7402	
		106 1200	Sprocket Wheel 12T (Silver / B.C.34.6) for FH-7403	
		106 1300	Sprocket Wheel 13T (Silver / B.C.34.6) for FH-7403	
		106 1400	Sprocket Wheel 14T (Silver / B.C.34.6) for FH-7403	
		2	106 1320	Sprocket Wheel 13T (Silver) Built in Spacer Type
			106 1420	Sprocket Wheel 14T (Silver) Built in Spacer Type
			106 1520	Sprocket Wheel 15T (Silver) Built in Spacer Type
			106 1620	Sprocket Wheel 16T (Silver) Built in Spacer Type
	106 1720		Sprocket Wheel 17T (Silver) Built in Spacer Type	
	106 1820		Sprocket Wheel 18T (Silver) Built in Spacer Type	
	3	103 1420	Sprocket Wheel 14T (Silver)	
		103 1520	Sprocket Wheel 15T (Silver)	
		103 1620	Sprocket Wheel 16T (Silver)	
		103 1720	Sprocket Wheel 17T (Silver)	
		103 1820	Sprocket Wheel 18T (Silver)	
		103 1920	Sprocket Wheel 19T (Silver)	
		103 2020	Sprocket Wheel 20T (Silver)	
		103 2120	Sprocket Wheel 21T (Silver)	
		103 2220	Sprocket Wheel 22T (Silver)	
		103 2320	Sprocket Wheel 23T (Silver)	
		103 2420	Sprocket Wheel 24T (Silver)	
	103 2520	Sprocket Wheel 25T (Silver)		
	103 2620	Sprocket Wheel 26T (Silver)		
	4	103 4200	Sprocket Spacer (t=3.0mm)	

AP 9003-1137A

HG Cassette Sprocket for After Market. (7-Speed / Silver Gear)

CS-HG90-7E(B) / CS-HG70-7E(B) / CS-HG50-7E(B)



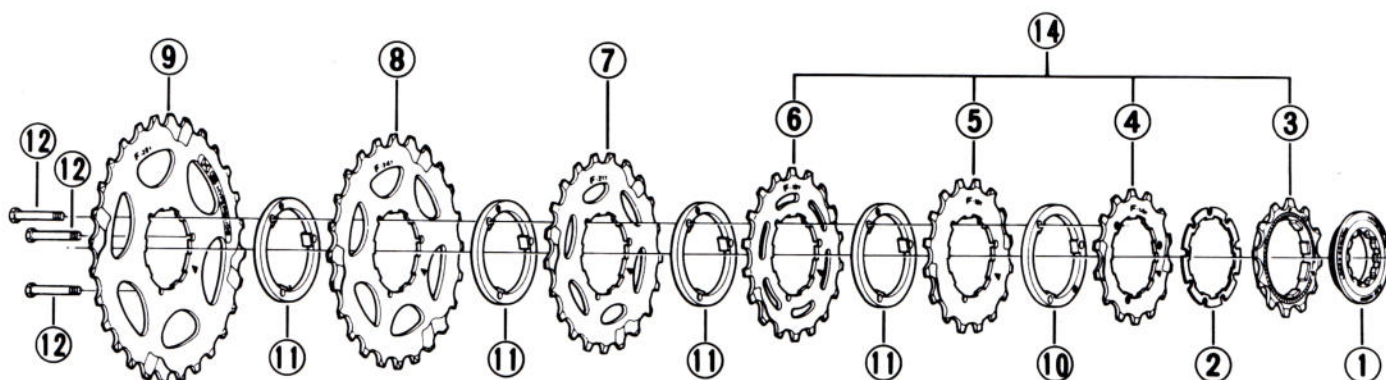
- E-group sprocket teeth combination: 12-14-16-18-21-24-28T
- Note: Use only the sprockets of E-group together.

Q'TY	ITEM NO.	PART NO.	DESCRIPTION
	1	11E 0100	Lock Ring
	2	11F 1205-2	Sprocket Wheel 12T (Silver / Built in spacer type)
	3	11F 1405-2	Sprocket Wheel 14T (Silver)
	4	11F 1605-2	Sprocket Wheel 16T (Silver)
	5	11F 1805-2	Sprocket Wheel 18T (Silver)
	6	11F 2105-2	Sprocket Wheel 21T (Silver)
	7	11F 2405-2	Sprocket Wheel 24T (Silver)
	8	11F 2805-2	Sprocket Wheel 28T (Silver)
	9	11E 0200	Sprocket Spacer A (t=3.3mm / Black)
	10	357 5910	Sprocket Spacer B (t=3.1mm / Gray)
	11	11E 0400	Sprocket Fixing Bolt
	12	120 0918	Lock Ring Removal Tool (TL-HG15)
	13	10Y 9801	Replacement Set for B-group Sprocket (12-14-16-18T)

AP 9001-1128A

HG Cassette Sprocket for After Market. (7-Speed / Silver Gear)

CS-HG90-7F(D) / CS-HG70-7F(D) / CS-HG50-7F(D)



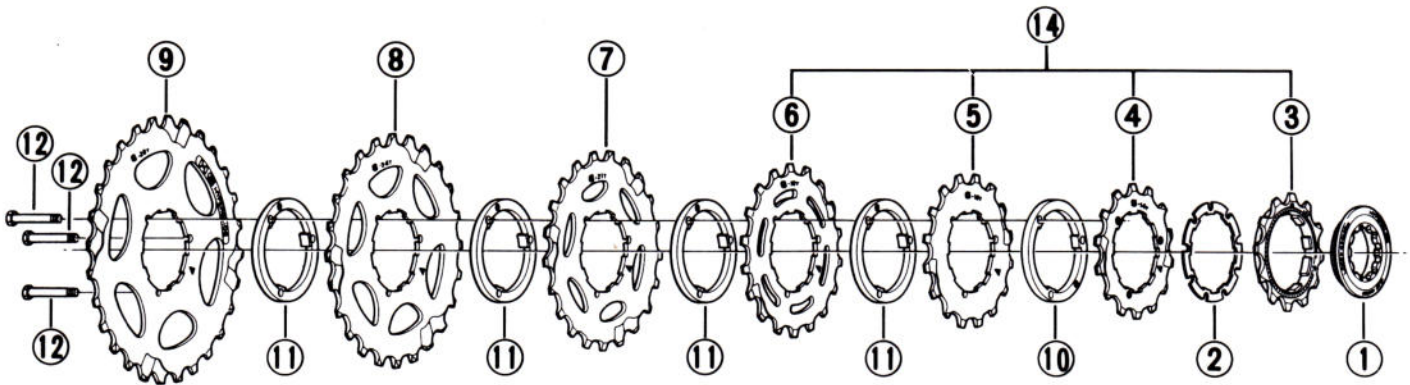
- F-group sprocket teeth combination: 14-16-18-21-24-28-32T
- Note: Use only the sprockets of F-group together.

	Q'TY	ITEM NO.	PART NO.	DESCRIPTION
		1	11E 0100	Lock Ring
		2	11E 0300	Sprocket Spacer
		3	11F 1406-2	Sprocket Wheel 14T (Silver / Built in spacer type)
		4	11F 1606-2	Sprocket Wheel 16T (Silver)
		5	11F 1805-2	Sprocket Wheel 18T (Silver)
		6	11F 2105-2	Sprocket Wheel 21T (Silver)
		7	11F 2406-2	Sprocket Wheel 24T (Silver)
		8	11F 2805-2	Sprocket Wheel 28T (Silver)
		9	11F 3206-2	Sprocket Wheel 32T (Silver)
		10	11E 0200	Sprocket Spacer A (t=3.3mm / Black)
		11	357 5910	Sprocket Spacer B (t=3.1mm / Gray)
		12	11E 0400	Sprocket Fixing Bolt
		13	120 0918	Lock Ring Removal Tool (TL-HG15)
		14	10Y 9803	Replacement Set for D-group Sprocket (14-16-18-21T)

AP 9002-1129B

HG Cassette Sprocket for After Market. (7-Speed / Silver Gear)

CS-HG90-7G(C) / CS-HG70-7G(C) / CS-HG50-7G(C)



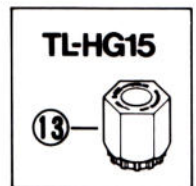
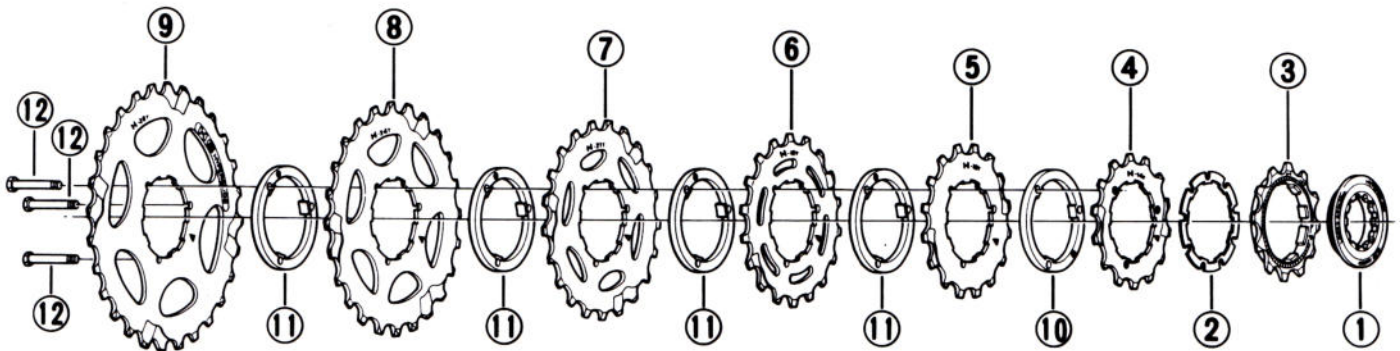
- G-group sprocket teeth combination: 13-15-17-20-23-26-30T
- Note: Use only the sprockets of G-group together.

	Q'TY	ITEM NO.	PART NO.	DESCRIPTION
		1	11E 0100	Lock Ring
		2	11E 0300	Sprocket Spacer
		3	11F 1307-2	Sprocket Wheel 13T (Silver / Built in spacer type)
		4	11F 1507-2	Sprocket Wheel 15T (Silver)
		5	11F 1707-2	Sprocket Wheel 17T (Silver)
		6	11F 2007-2	Sprocket Wheel 20T (Silver)
		7	11F 2307-2	Sprocket Wheel 23T (Silver)
		8	11F 2607-2	Sprocket Wheel 26T (Silver)
		9	11F 3007-2	Sprocket Wheel 30T (Silver)
		10	11E 0200	Sprocket Spacer A (t=3.3mm / Black)
		11	357 5910	Sprocket Spacer B (t=3.1mm / Gray)
		12	11E 0400	Sprocket Fixing Bolt
		13	120 0918	Lock Ring Removal Tool (TL-HG15)
		14	10Y 9802	Replacement Set for C-group Sprocket (13-15-17-20T)

AP 9001-1130A

HG Cassette Sprocket for After Market. (7-Speed / Silver Gear)

CS-HG90-7H / CS-HG70-7H / CS-HG50-7H



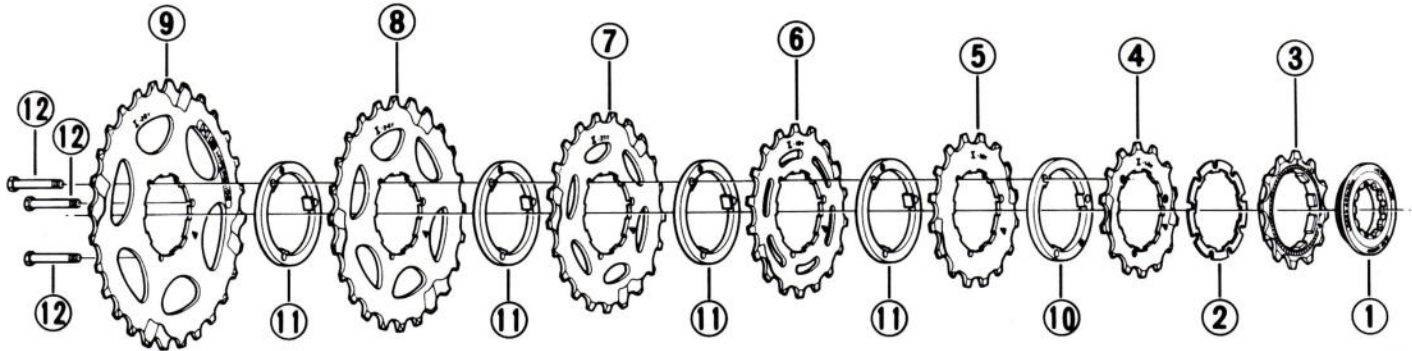
- H-group sprocket teeth combination: 13-15-17-19-21-23-26T
- Note: Use only the sprockets of H-group together.

Q'TY	ITEM NO.	PART NO.	DESCRIPTION
	1	11E 0100	Lock Ring
	2	11E 0300	Sprocket Spacer
	3	11F 1307-2	Sprocket Wheel 13T (Silver / Built in spacer type)
	4	11F 1507-2	Sprocket Wheel 15T (Silver)
	5	11F 1707-2	Sprocket Wheel 17T (Silver)
	6	11F 1908-2	Sprocket Wheel 19T (Silver)
	7	11F 2108-2	Sprocket Wheel 21T (Silver)
	8	11F 2308-2	Sprocket Wheel 23T (Silver)
	9	11F 2608-2	Sprocket Wheel 26T (Silver)
	10	11E 0200	Sprocket Spacer A (t=3.3mm / Black)
	11	357 5910	Sprocket Spacer B (t=3.1mm / Gray)
	12	11E 0400	Sprocket Fixing Bolt
	13	120 0918	Lock Ring Removal Tool (TL-HG15)

AP 9002-1131A

HG Cassette Sprocket for After Market. (7-Speed / Silver Gear)

CS-HG90-7I / CS-HG70-7I / CS-HG50-7I



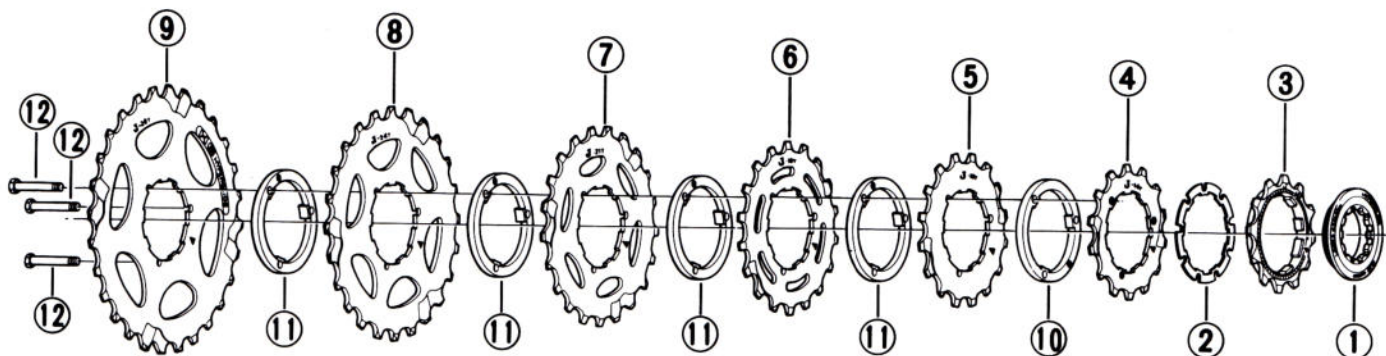
- I-group sprocket teeth combination: 13-14-15-17-19-21-23T
- Note: Use only the sprockets of I-group together.

QTY	ITEM NO.	PART NO.	DESCRIPTION
	1	11E 0100	Lock Ring
	2	11E 0300	Sprocket Spacer
	3	11F 1309-2	Sprocket Wheel 13T (Silver / Built in spacer type)
	4	11F 1409-2	Sprocket Wheel 14T (Silver)
	5	11F 1509-2	Sprocket Wheel 15T (Silver)
	6	11F 1707-2	Sprocket Wheel 17T (Silver)
	7	11F 1908-2	Sprocket Wheel 19T (Silver)
	8	11F 2109-2	Sprocket Wheel 21T (Silver)
	9	11F 2308-2	Sprocket Wheel 23T (Silver)
	10	11E 0200	Sprocket Spacer A (t=3.3mm / Black)
	11	357 5910	Sprocket Spacer B (t=3.1mm / Gray)
	12	11E 0400	Sprocket Fixing Bolt
	13	120 0918	Lock Ring Removal Tool (TL-HG15)

AP 9002-1132A

HG Cassette Sprocket for After Market. (7-Speed / Silver Gear)

CS-HG90-7J / CS-HG70-7J / CS-HG50-7J



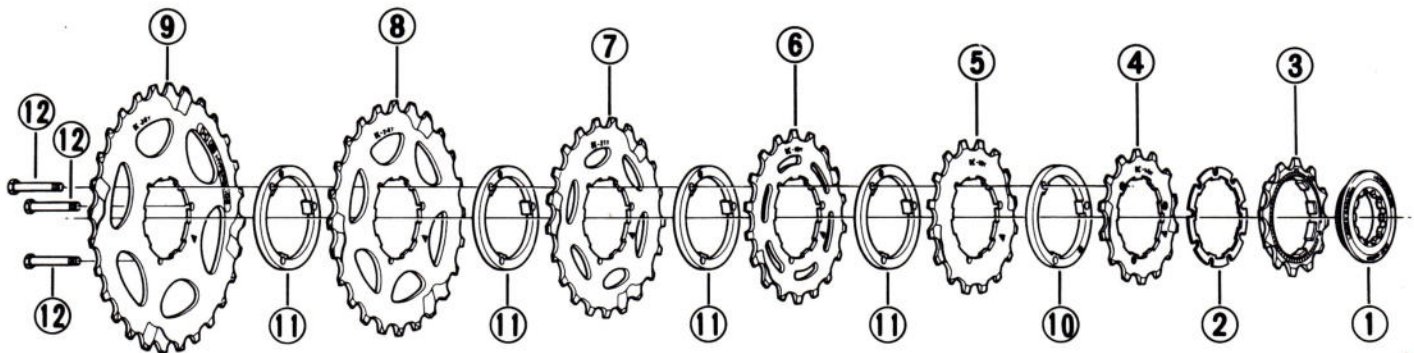
- J-group sprocket teeth combination: 13-14-15-16-17-19-21T
- Note: Use only the sprockets of J-group together.

	Q'TY	ITEM NO.	PART NO.	DESCRIPTION
		1	11E 0100	Lock Ring
		2	11E 0300	Sprocket Spacer
		3	11F 1309-2	Sprocket Wheel 13T (Silver / Built in spacer type)
		4	11F 1409-2	Sprocket Wheel 14T (Silver)
		5	11F 1510-2	Sprocket Wheel 15T (Silver)
		6	11F 1610-2	Sprocket Wheel 16T (Silver)
		7	11F 1710-2	Sprocket Wheel 17T (Silver)
		8	11F 1910-2	Sprocket Wheel 19T (Silver)
		9	11F 2110-2	Sprocket Wheel 21T (Silver)
		10	11E 0200	Sprocket Spacer A (t=3.3mm / Black)
		11	357 5910	Sprocket Spacer B (t=3.1mm / Gray)
		12	11E 0400	Sprocket Fixing Bolt
		13	120 0918	Lock Ring Removal Tool (TL-HG15)

AP 9002-1133A

HG Cassette Sprocket for After Market. (7-Speed / Silver Gear)

CS-HG90-7K / CS-HG70-7K / CS-HG50-7K



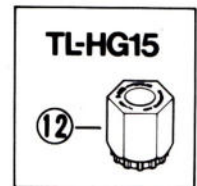
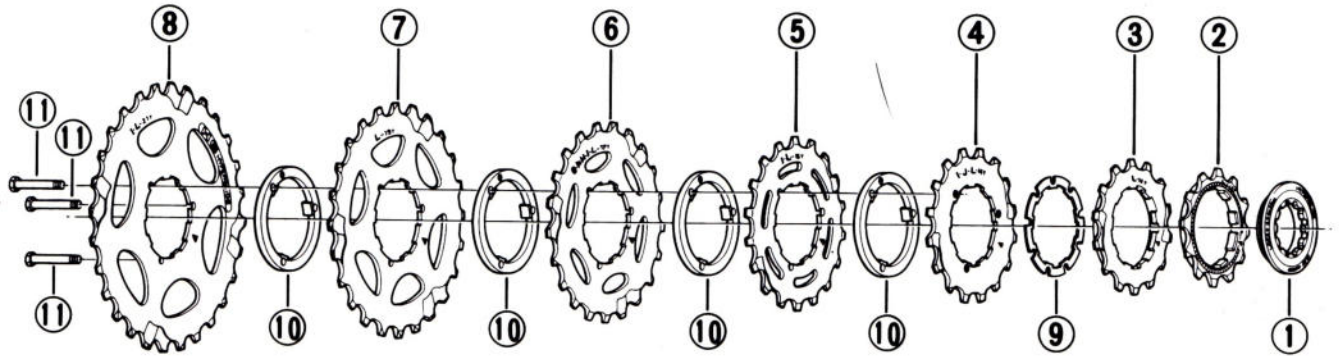
- K-group sprocket teeth combination: 13-15-17-20-24-29-34T
- Note: Use only the sprockets of K-group together.

Q'TY	ITEM NO.	PART NO.	DESCRIPTION
	1	11E 0100	Lock Ring
	2	11E 0300	Sprocket Spacer
	3	11F 1307-2	Sprocket Wheel 13T (Silver / Built in spacer type)
	4	11F 1507-2	Sprocket Wheel 15T (Silver)
	5	11F 1707-2	Sprocket Wheel 17T (Silver)
	6	11F 2007-2	Sprocket Wheel 20T (Silver)
	7	11F 2411-2	Sprocket Wheel 24T (Silver)
	8	11F 2911-2	Sprocket Wheel 29T (Silver)
	9	11F 3411-2	Sprocket Wheel 34T (Silver)
	10	11E 0200	Sprocket Spacer A (t=3.3mm / Black)
	11	357 5910	Sprocket Spacer B (t=3.1mm / Gray)
	12	11E 0400	Sprocket Fixing Bolt
	13	120 0918	Lock Ring Removal Tool (TL-HG15)

AP 9002-1134A

HG Cassette Sprocket for After Market. (7-Speed / Silver Gear)

CS-HG90-7L / CS-HG70-7L / CS-HG50-7L



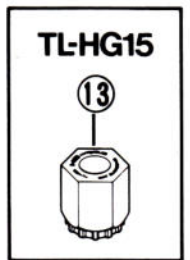
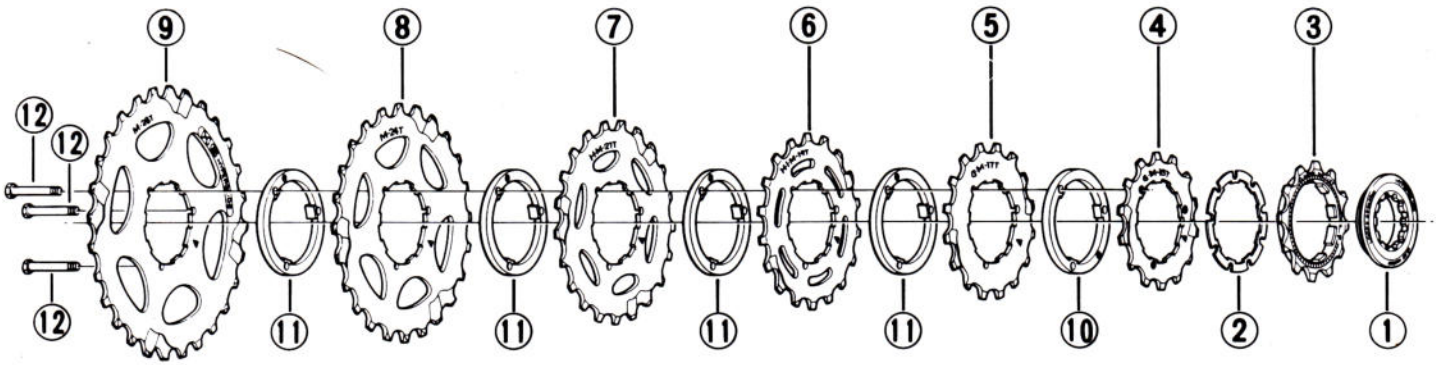
- L-group sprocket teeth combination: 12-13-14-15-17-19-21T
- Note: Use only the sprockets of L-group together.

Q'TY	ITEM NO.	PART NO.	DESCRIPTION
	1	11E 0100	Lock Ring
	2	11F 1212-2	Sprocket Wheel 12T (Silver / Built in spacer type)
	3	11F 1312-2	Sprocket Wheel 13T (Silver / Built in spacer type)
	4	11F 1409-2	Sprocket Wheel 14T (Silver)
	5	11F 1509-2	Sprocket Wheel 15T (Silver)
	6	11F 1707-2	Sprocket Wheel 17T (Silver)
	7	11F 1912-2	Sprocket Wheel 19T (Silver)
	8	11F 2109-2	Sprocket Wheel 21T (Silver)
	9	11E 0300	Sprocket Spacer (t=1mm / Black)
	10	357 5910	Sprocket Spacer B (t=3.1mm / Gray)
	11	357 6002	Sprocket Fixing Bolt
	12	120 0918	Lock Ring Removal Tool (TL-HG15)

AP 9004-1143'

HG Cassette Sprocket for After Market. (7-Speed / Silver Gear)

CS-HG90-7M / CS-HG70-7M / CS-HG50-7M

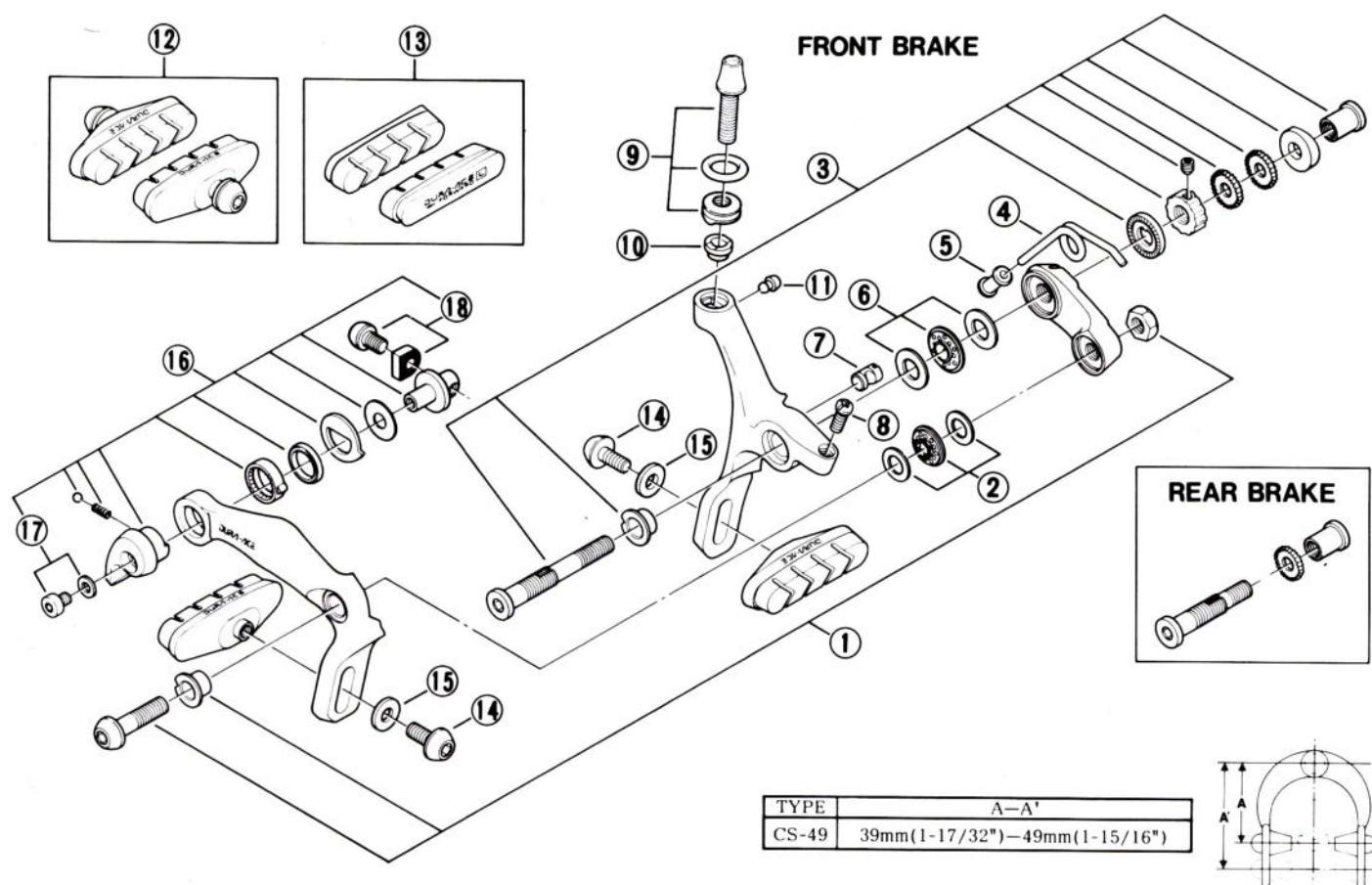


- M-group sprocket teeth combination: 13-15-17-19-21-24-28T
- Note: Use only the sprockets of M-group together.

Q'TY	ITEM NO.	PART NO.	DESCRIPTION
	1	11E 0100	Lock Ring
	2	11E 0300	Sprocket Spacer
	3	11F 1307-2	Sprocket Wheel 13T (Silver / Built in spacer type)
	4	11F 1507-2	Sprocket Wheel 15T (Silver)
	5	11F 1707-2	Sprocket Wheel 17T (Silver)
	6	11F 1908-2	Sprocket Wheel 19T (Silver)
	7	11F 2108-2	Sprocket Wheel 21T (Silver)
	8	11F 2413-2	Sprocket Wheel 24T (Silver)
	9	11F 2813-2	Sprocket Wheel 28T (Silver)
	10	11E 0200	Sprocket Spacer A (t=3.3mm / Black)
	11	357 5910	Sprocket Spacer B (t=3.1mm / Gray)
	12	11E 0400	Sprocket Fixing Bolt
	13	120 0918	Lock Ring Removal Tool (TL-HG15)

AP 9011-1167

BR-7403-49 Caliper Brake DURA-ACE / 49-type



A : Same parts.

B : Parts usable, but differ in materials, appearance, finish, size, etc.

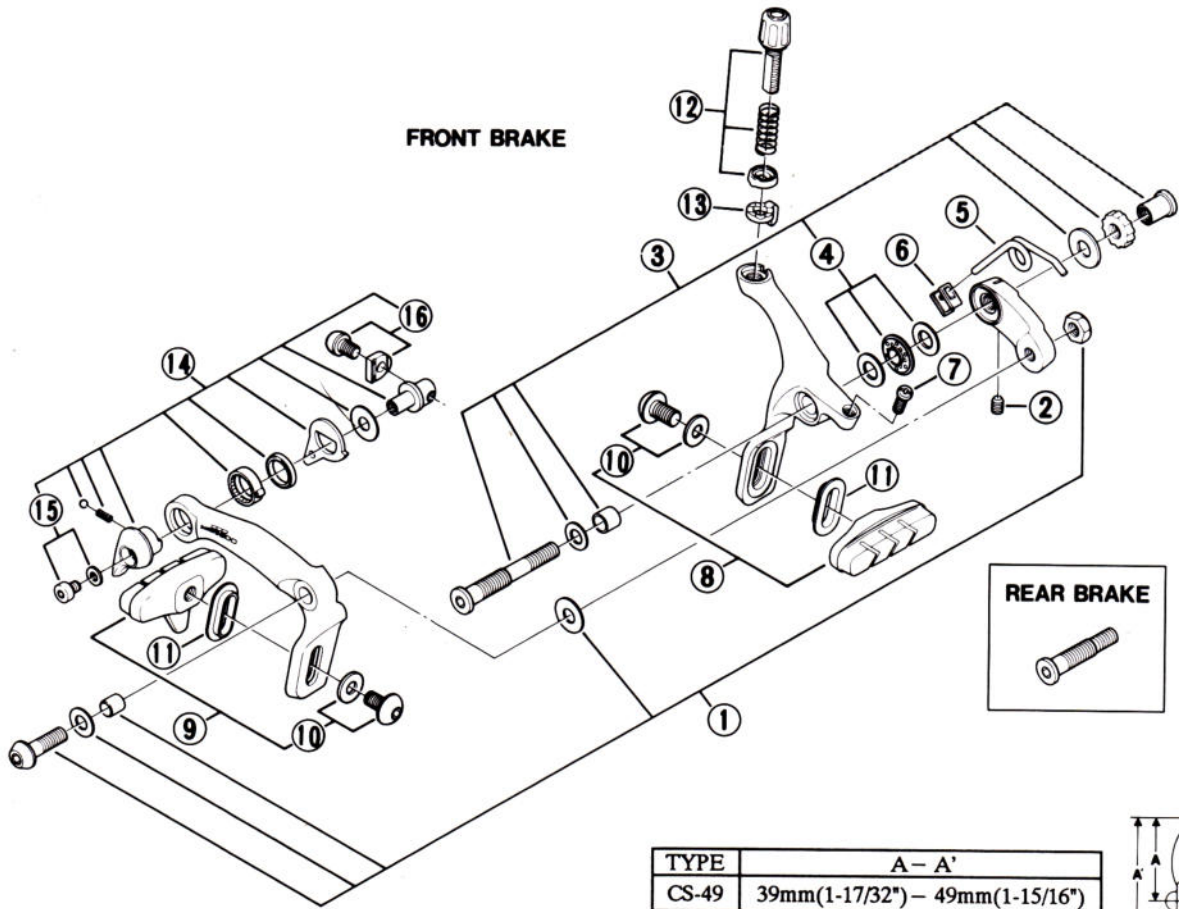
Absence of mark indicates non-interchangeability.

The table indicates the adaptability of conventional parts to BR-7403-49.

Q'TY	ITEM NO.	PART NO.	DESCRIPTION	INTERCHANGEABILITY
	1	84B 9809	Arm Bolt Unit (M6 x 25)	
	2	84B 9807	Ball Retainer Unit (ø6)	
	3	84B 9803	Pivot Bolt Assembly 52.5mm(2-1/16") for Front	
		84B 9804	Pivot Bolt Assembly 37.8mm(1-1/2") for Rear	
	4	84B 2200	Arm Return Spring	
	5	84B 1100	Sleeve	
	6	84B 9805	Ball Retainer Unit (ø7)	
	7	84B 1200	Spring Adjusting Pin	
	8	84B 1300	EC-Screw (M4 x 11.7)	
	9	84A 9804	Cable Adjusting Bolt Unit	A
	10	84A 0700	Adjusting Nut Bushing	A
	11	847 3800	Frame Protector	A
	12	84B 9801	Brake Shoe Assembly (Pair on card)	
	13	84B 9802	Brake Shoe (Pair)	B
	14	84B 1700	Brake Shoe Fixing Bolt (M5 x 12)	
	15	855 6900	Brake Shoe Fixing Washer	
	16	84B 9811	Quick Release Assembly	
	17	84B 9810	Quick Release Fixing Bolt & Washer	B
	18	84A 9805	Cable Fixing Bolt (M5 x 8) & Plate	A

AP 8907-1078

BR-6403-49 Caliper Brake SHIMANO 600 Ultegra / 49-Type



● NOTE: "Right" and "Left" as seen from the riding position.

A : Same parts.

B : Parts usable, but differ in materials, appearance, finish, size, etc.

Absence of mark indicates non-interchangeability.

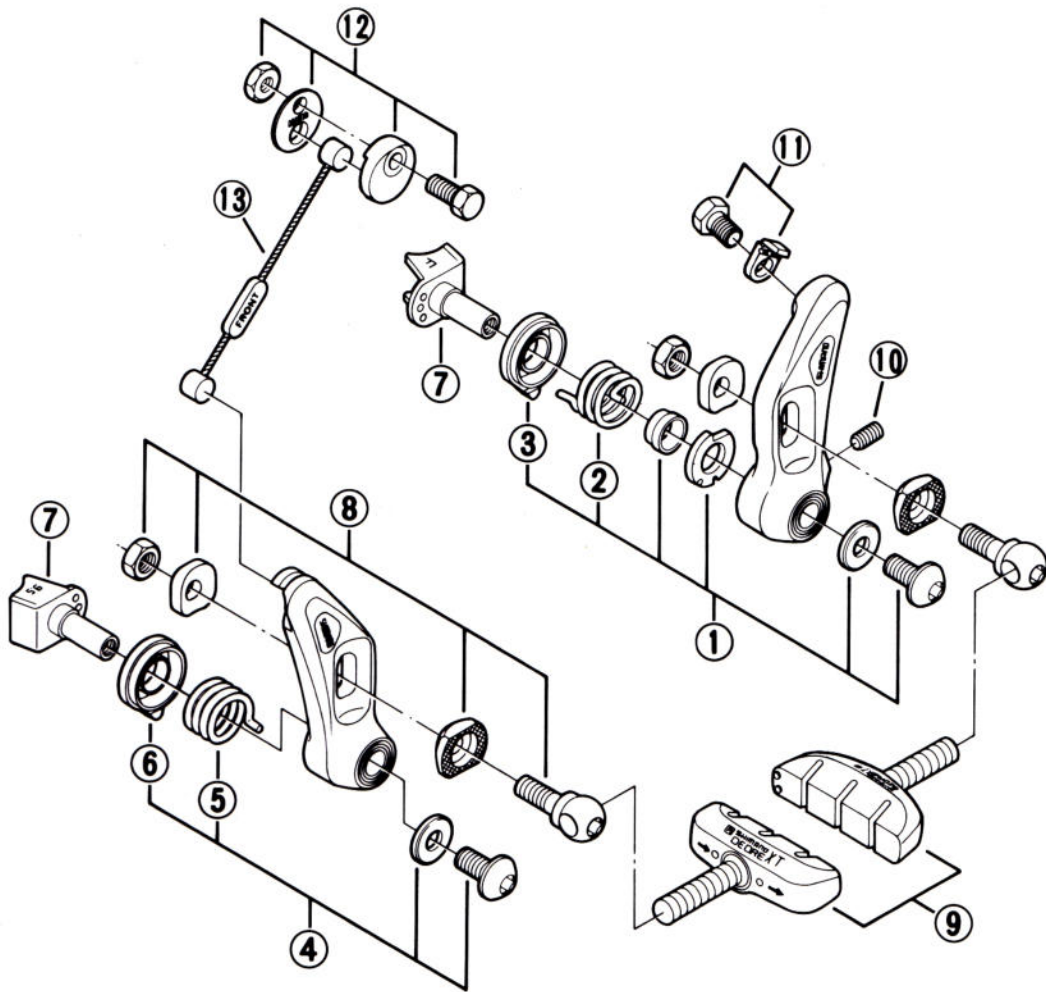
The table indicates the adaptability of conventional parts to BR-6403-49.

Q'TY	ITEM NO.	PART NO.	DESCRIPTION	INTERCHANGEABILITY
	1	82B 9801	Arm Bolt Unit (M6 x 23.5)	A
	2	884 1400	Stopper Screw	A A
	3	83G 9802	Pivot Bolt Assembly 50.4mm(2") for Front	
		83G 9803	Pivot Bolt Assembly 35.7mm(1-13/32") for Rear	
	4	83E 9809	Ball Retainer Unit	A
	5	81U 0900	Arm Return Spring	
	6	81U 1700	Sleeve	A
	7	81U 1000	EC-Screw (M4 x 11)	A
	8	—	Brake Shoe Assembly A (Right side for front brake or rear brake)	B
	9	—	Brake Shoe Assembly B (Left side for front brake or rear brake)	B
	8&9	83G 9801	Brake Shoe Assembly (5pair on card)	B
	10	82A 9804	Shoe Fixing Bolt (M6 x 11.2) & Washer	A
	11	83G 0700	Shoe Fixing Collar	
	12	83G 9805	Cable Adjusting Bolt Unit	
	13	83G 0900	Frame Protector	
	14	83G 9806	Quick Release Assembly	
	15	84B 9810	Quick Release Fixing Bolt & Washer	B
	16	83E 9806	Cable Fixing Bolt (M5 x 8) & Plate	A A

BR-6400
BR-1055

AP 9009-1146A

Cantilever Brake BR-M650 / BR-M651



A : Same parts.

B : Parts usable, but differ in materials, appearance, finish, size, etc.

Absence of mark indicates non-interchangeability.

The table indicates the adaptability of conventional parts to BR-M650 / M651.

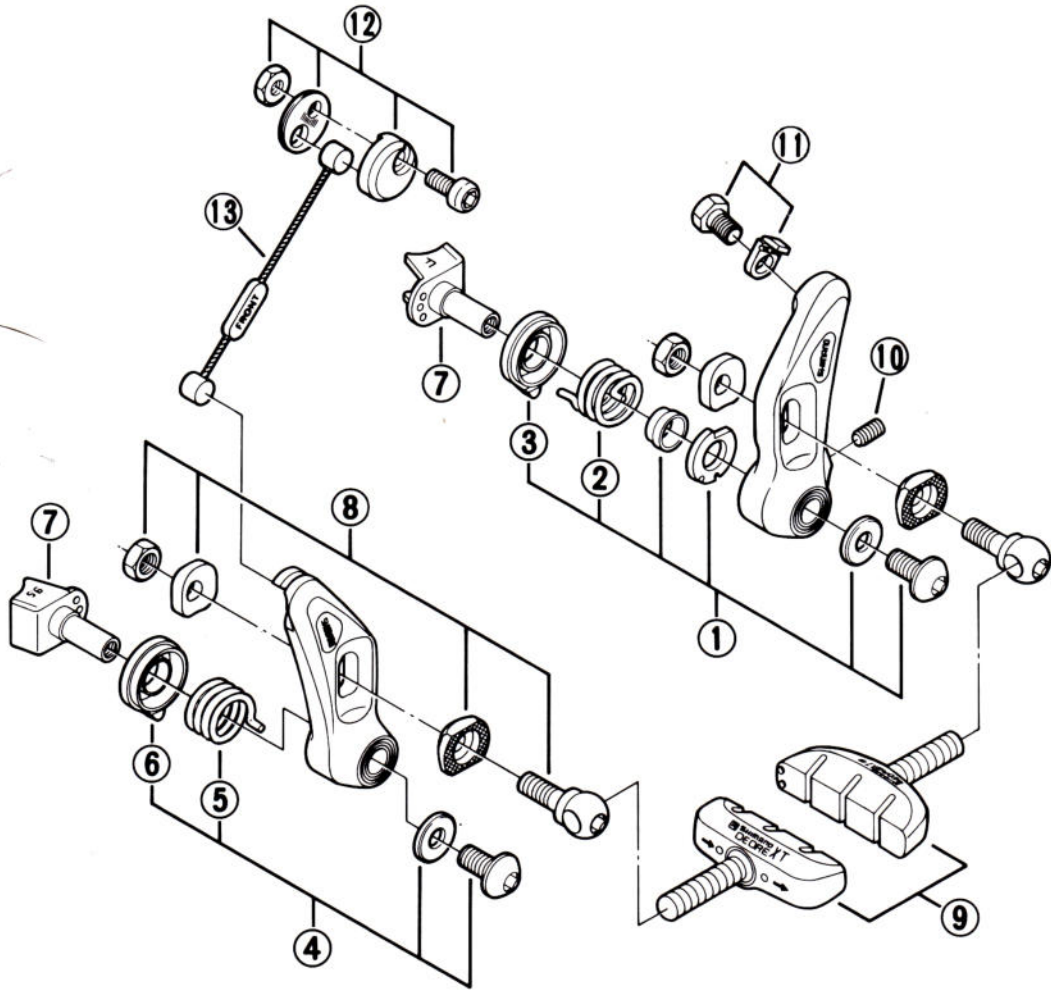
Q'TY	ITEM NO.	PART NO.	DESCRIPTION	INTERCHANGEABILITY	
	1	83T 9804	Anchor Link Fixing Bolt Unit (M6 x 13.6)	A	
	2	82Y 0600	Return Spring for Anchor Link (White)	A	
	3	82Y 0800	Spring Cover for Anchor Link	A	
	4	83T 9803	Hooking Link Fixing Bolt Unit (M6 x 13.6)	A	
	5	82Y 0700	Return Spring for Hooking Link (Yellow)	A	
	6	82Y 0900	Spring Cover for Hooking Link	A	
	7	868 9030-1	Front Mounting Boss for MTB (Radius 9.5mm)	A	A
		868 9040-1	Rear Mounting Boss for MTB (Radius 7.5mm)	A	A
	8	83T 9802	Brake Shoe Fixing Bolt Unit	B	
	9	83T 9801	Brake Shoe (2pcs.)	B	B
	10	83A 1910	Adjusting Screw for Spring	B	
	11	83B 9806	Wire Fixing Bolt (M6 x 9) & Plate	B	B
	12	82Y 9805	Cable Carrier Unit	B	
	13	83T 1000	Link Wire for BR-M650 Front (φ2mm x 73mm / A)	A	
		83T 1001	Link Wire for BR-M650 Rear (φ2mm x 82mm / B)	A	
		82Y 1700	Link Wire for BR-M651 (φ1.6mm x 93mm / D)		
		82Y 1701	Link Wire for BR-M651 Mud Guard (φ1.6mm x 106mm / C)		

BR-M734

BR-MT62

AP 9009-1158B

BR-M734 Cantilever Brake DEORE XT



A : Same parts.

B : Parts usable, but differ in materials, appearance, finish, size, etc.

Absence of mark indicates non-interchangeability.

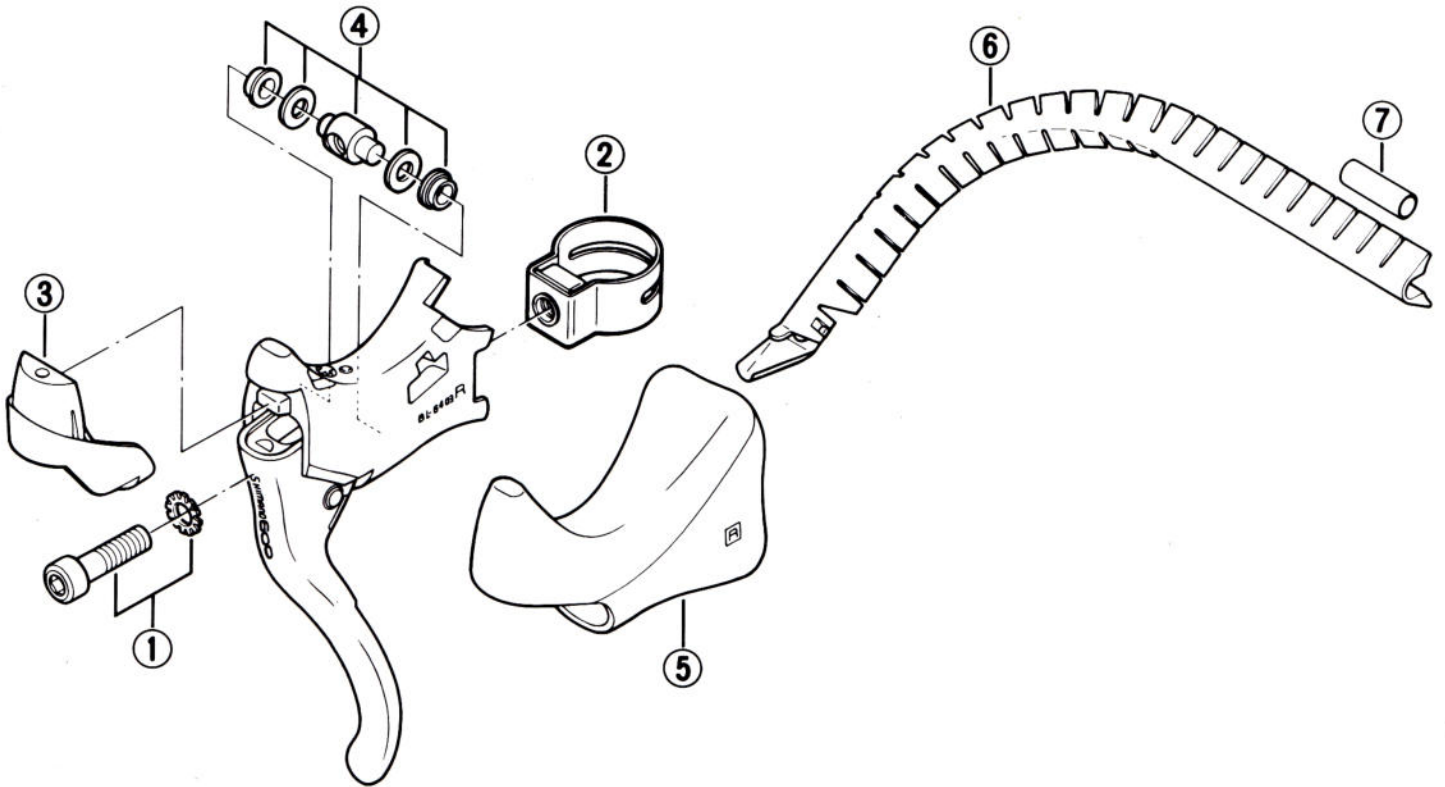
The table indicates the adaptability of conventional parts to BR-M734.

BR-M732
BR-M650
BR-MT62

Q'TY	ITEM NO.	PART NO.	DESCRIPTION	INTERCHANGEABILITY
	1	83T 9804	Anchor Link Fixing Bolt Unit (M6 x 13.6)	A
	2	82Y 0600	Return Spring for Anchor Link (White)	A
	3	82Y 0800	Spring Cover for Anchor Link	A
	4	83T 9803	Hooking Link Fixing Bolt Unit (M6 x 13.6)	A
	5	82Y 0700	Return Spring for Hooking Link (Yellow)	A
	6	82Y 0900	Spring Cover for Hooking Link	A
	7	868 9030-1	Front Mounting Boss for MTB (Radius 9.5mm)	A A A
		868 9040-1	Rear Mounting Boss for MTB (Radius 7.5mm)	A A A
	8	83T 9802	Brake Shoe Fixing Bolt Unit	B
	9	83T 9801	Brake Shoe (2pcs.)	B B B
	10	83A 1900	Adjusting Screw for Spring	B
	11	83B 9806	Wire Fixing Bolt (M6 x 9) & Plate	B B B
	12	83A 9805-1	Cable Carrier Unit	B
	13	83T 1000	Link Wire for Front (ø2mm x 73mm / A)	A
		83T 1001	Link Wire for Rear (ø2mm x 82mm / B)	A

AP 9009-1157A

BL-6403 Brake Lever SHIMANO 600 Ultegra



A : Same parts.

B : Parts usable, but differ in materials, appearance, finish, size, etc.
Absence of mark indicates non-interchangeability.

The table indicates the adaptability of conventional parts to BL-6403.

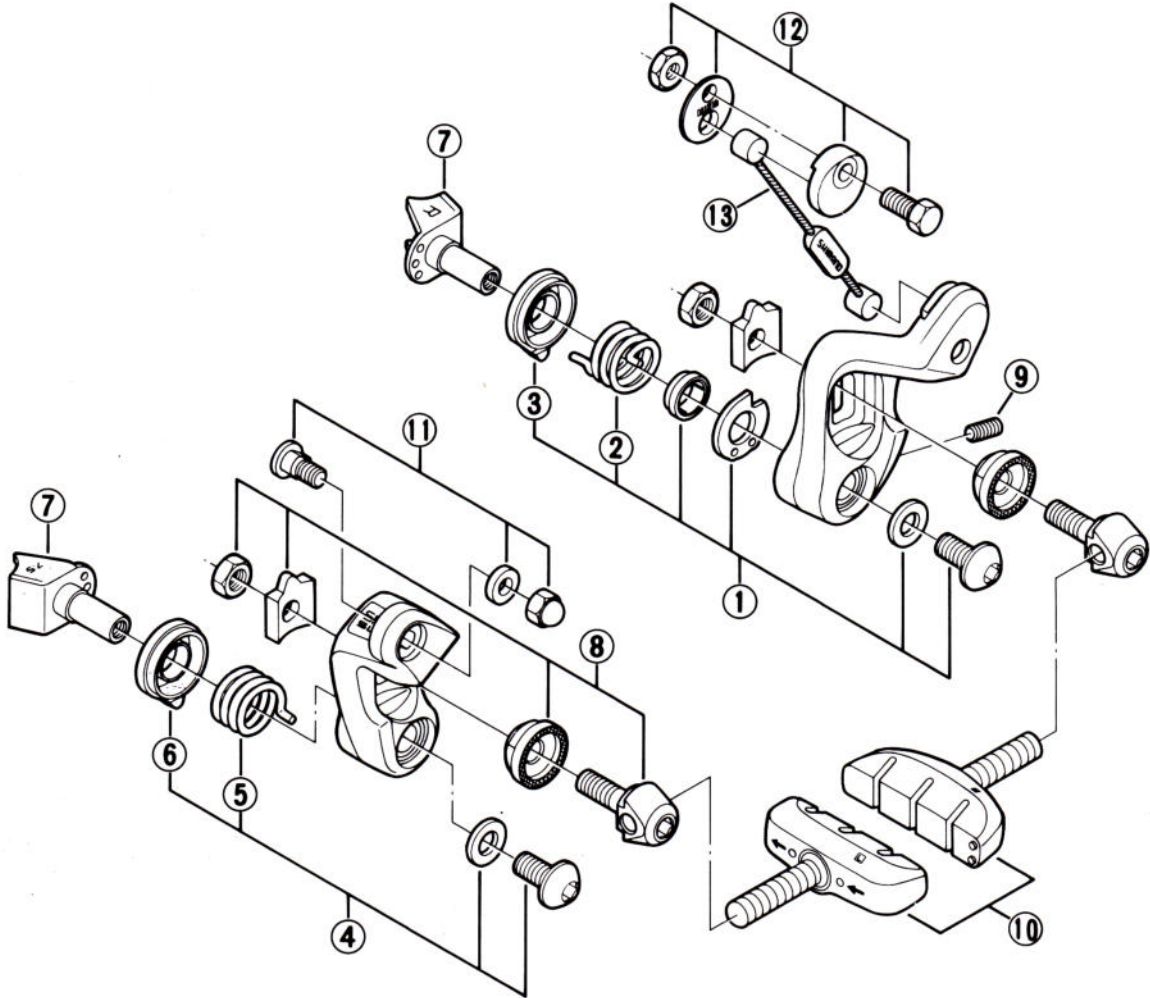
	Q'TY	ITEM NO.	PART NO.	DESCRIPTION	INTERCHANGEABILITY	
		1	87C 9810	Clamp Bolt & Teathed Washer	A	A
		2	883 9002	Clamp Band (ø23.8mm-ø24.2mm)	A	A
		3	87F 0300	Bracket Cap		
		4	86C 9803	Wire Hook Unit		A
		5	87F 9801	Bracket Covers (Pair / Black)		
			87F 9802	Bracket Covers (Pair / White)		
		6	86B 9001	Outer Cable Guide	A	A
		7	877 1100	Outer Cable Joit (Option)	A	A

BL-6401

BL-1055

AP 9005-1148

BR-M352 Cantilever Brake for Rear



A : Same parts.

B : Parts usable, but differ in materials, appearance, finish, size, etc.

Absence of mark indicates non-interchangeability.

The table indicates the adaptability of conventional parts to BR-M352.

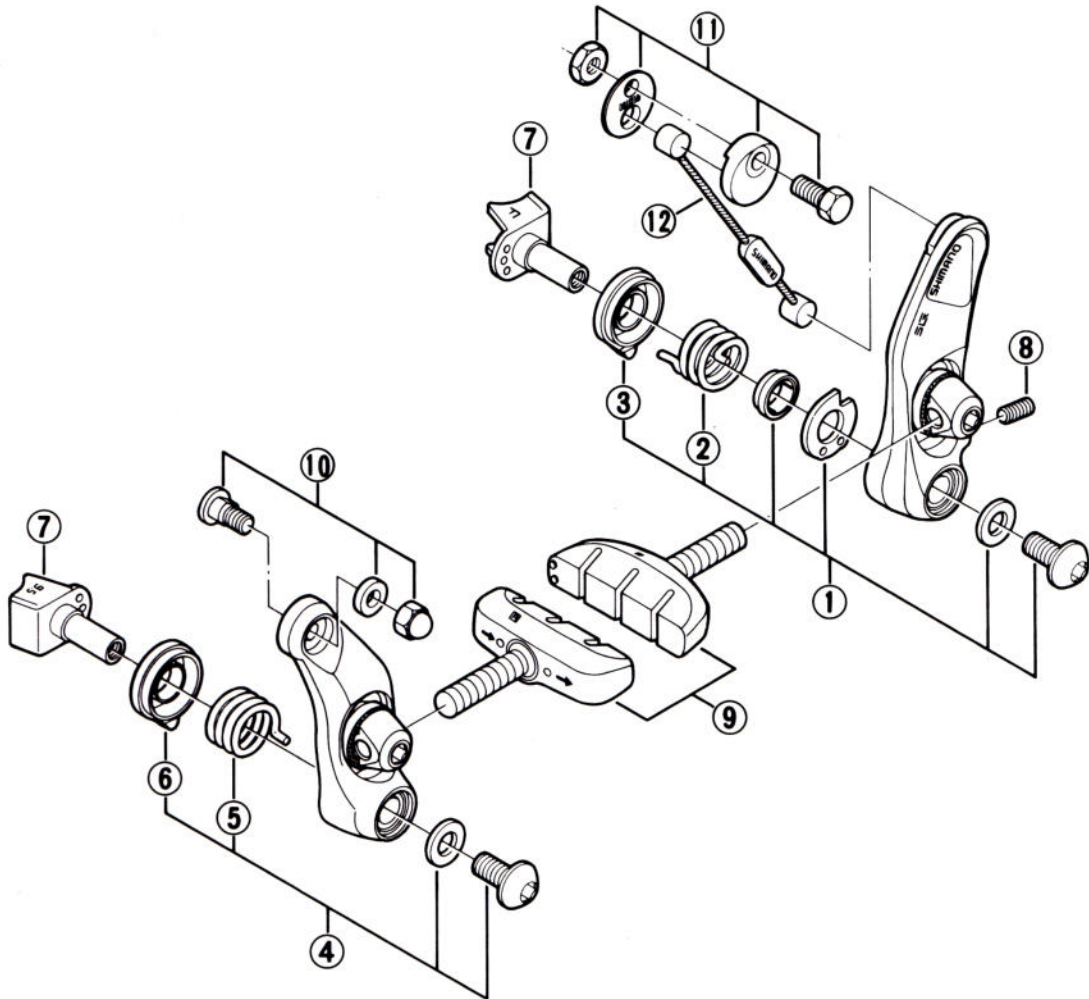
BR-M450

BR-M351

Q'TY	ITEM NO.	PART NO.	DESCRIPTION	INTERCHANGEABILITY
	1	82V 9802	Hooking Link Fixing Bolt Unit (M6 x 13.6)	
	2	82Y 0600	Return Spring for Hooking Link (White)	
	3	82Y 0800	Spring Cover for Hooking Link	
	4	82V 9803	Anchor Link Fixing Bolt Unit (M6 x 13.6)	
	5	82Y 0700	Return Spring for Anchor Link (Yellow)	
	6	82Y 0900	Spring Cover for Anchor Link	
	7	868 9040-1	Rear Mounting Boss for MTB (Radius 7.5mm)	A A
	8	82V 9801	Brake Shoe Fixing Bolt Unit	
	9	83A 1930	Adjusting Screw for Spring	A A
	10	82Y 9801	Brake Shoe (5pair on card)	
	11	81H 9803	Wire Fixing Bolt Unit	
	12	82Y 9805	Cable Carrier Unit	
	13	82Y 1710	Link Wire (ø1.6mm x 84mm / E)	

AP 9009-1155C

BR-M201 Cantilever Brake SHIMANO 200GS



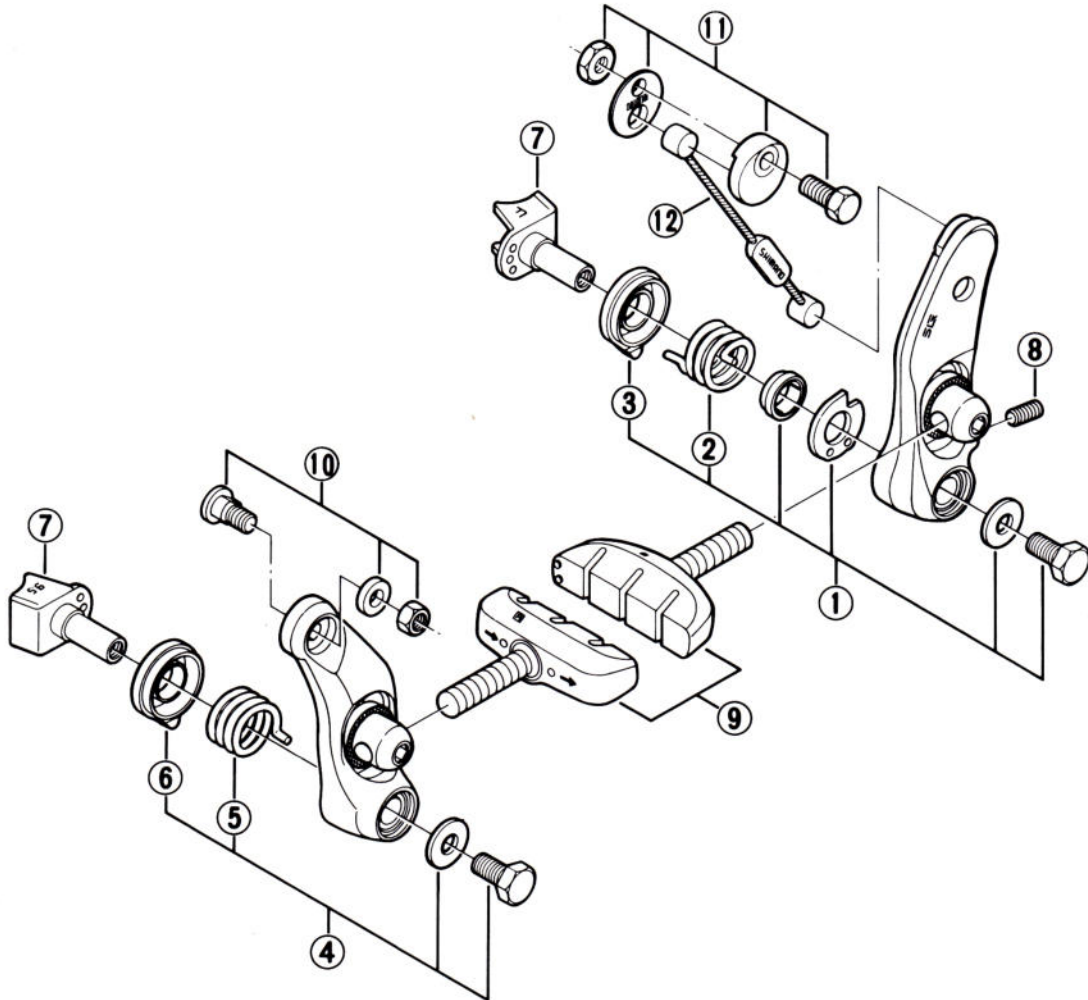
A : Same parts.
 B : Parts usable, but differ in materials, appearance, finish, size, etc.
 Absence of mark indicates non-interchangeability.
 The table indicates the adaptability of conventional parts to BR-M201.

BR-M100

Q'TY	ITEM NO.	PART NO.	DESCRIPTION	INTERCHANGEABILITY
	1	82V 9802	Hooking Link Fixing Bolt Unit (M6 x 13.6)	B
	2	82Y 0600	Return Spring for Hooking Link (White)	A
	3	82Y 0800	Spring Cover for Hooking Link	A
	4	82V 9803	Anchor Link Fixing Bolt Unit (M6 x 13.6)	B
	5	82Y 0700	Return Spring for Anchor Link (Yellow)	A
	6	82Y 0900	Spring Cover for Anchor Link	A
	7	868 9030-1	Front Mounting Boss for MTB (Radius 9.5mm)	A
		868 9040-1	Rear Mounting Boss for MTB (Radius 7.5mm)	A
	8	83A 1930	Adjusting Screw for Spring	A
	9	82Y 9801	Brake Shoe (5pair on card)	A
	10	81H 9803	Wire Fixing Bolt Unit	B
	11	82Y 9805	Cable Carrier Unit	A
	12	82Y 1702	Link Wire (ø1.6mm x 73mm / A)	A
		82Y 1700	Link Wire (ø1.6mm x 93mm / D)	A
		82Y 1701	Link Wire for Mud Guard (ø1.6mm x 106mm / C)	A

AP 9009-1154C

BR-M100 Cantilever Brake SHIMANO 100GS



A : Same parts.

B : Parts usable, but differ in materials, appearance, finish, size, etc.

Absence of mark indicates non-interchangeability.

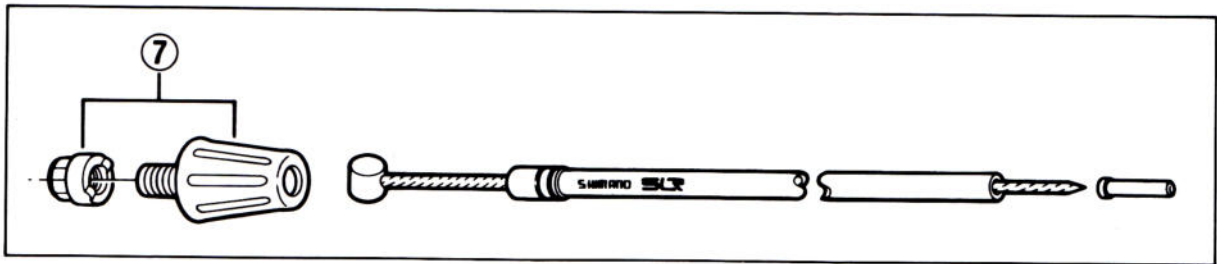
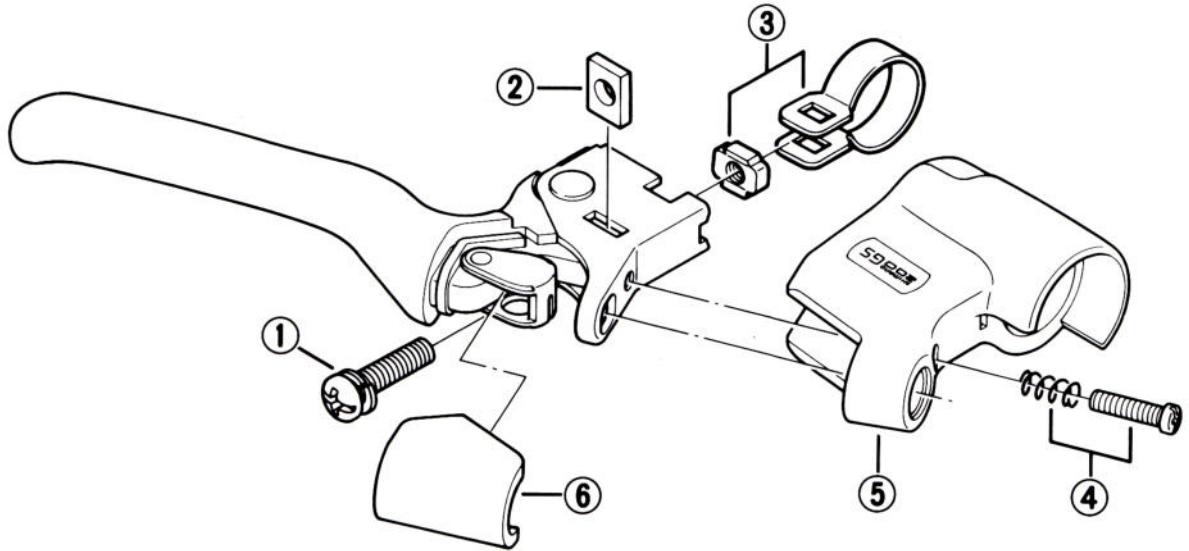
The table indicates the adaptability of conventional parts to BR-M100.

Q'TY	ITEM NO.	PART NO.	DESCRIPTION	INTERCHANGEABILITY
	1	82Y 9802	Hooking Link Fixing Bolt Unit (M6 x 12)	B
	2	82Y 0600	Return Spring for Hooking Link (White)	A
	3	82Y 0800	Spring Cover for Hooking Link	A
	4	82Y 9803	Anchor Link Fixing Bolt Unit (M6 x 12)	B
	5	82Y 0700	Return Spring for Anchor Link (Yellow)	A
	6	82Y 0900	Spring Cover for Anchor Link	A
	7	868 9030-1	Front Mounting Boss for MTB (Radius 9.5mm)	A
		868 9040-1	Rear Mounting Boss for MTB (Radius 7.5mm)	A
	8	83A 1930	Adjusting Screw for Spring	A
	9	82Y 9801	Brake Shoe (5pair on card)	A
	10	82Y 9804	Wire Fixing Bolt Unit	B
	11	82Y 9805	Cable Carrier Unit	A
	12	82Y 1702	Link Wire (ø1.6mm x 73mm / A)	A
		82Y 1700	Link Wire (ø1.6mm x 93mm / D)	A
		82Y 1701	Link Wire for Mud Guard (ø1.6mm x 106mm / C)	A

BR-M201

AP 9009-1153C

BL-M201 Brake Lever SHIMANO 200GS



A: Same parts.

B: Parts usable, but differ in materials, appearance, finish, size, etc.

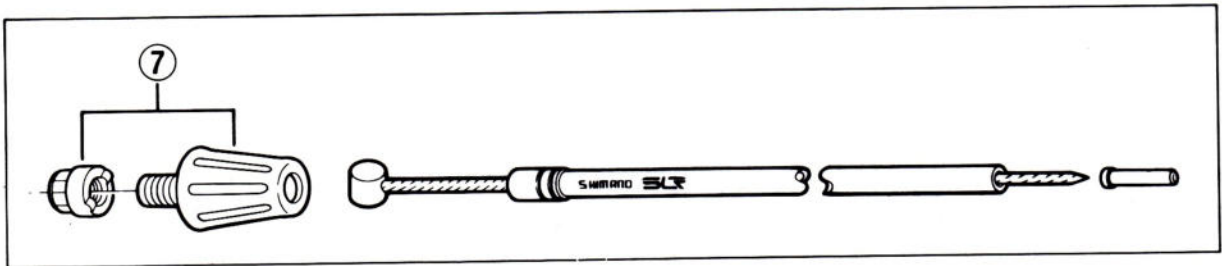
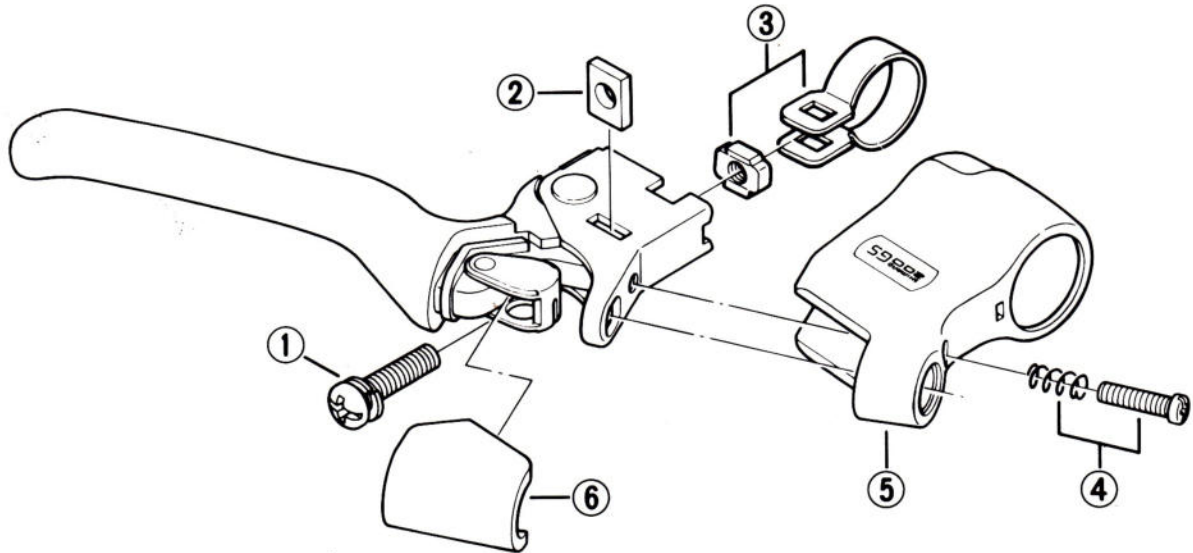
Absence of mark indicates non-interchangeability.

The table indicates the adaptability of conventional parts to BL-M201.

Q'TY	ITEM NO.	PART NO.	DESCRIPTION	INTERCHANGEABILITY	
				BL-M200	BL-M101
	1	000 1504	Clamp Screw	A	A
	2	85T 0500	Plate	A	A
	3	880 9820	Clamp Band & Nut	A	A
	4	86M 9810	Grip Adjusting Screw (M4 x 16.4) & Spring	A	B
	5	86K 9801	Bracket Covers (Black / Pair)	B	
	6	86N 0500	Wire Hooking Cap for Right	A	
		86N 0600	Wire Hooking Cap for Left	A	
	7	86U 9801	Cable Adjusting Bolt & Nut	A	A

AP 9004-1140

BL-M200-S Brake Lever SHIMANO 200GS



A : Same parts.

B : Parts usable, but differ in materials, appearance, finish, size, etc.

Absence of mark indicates non-interchangeability.

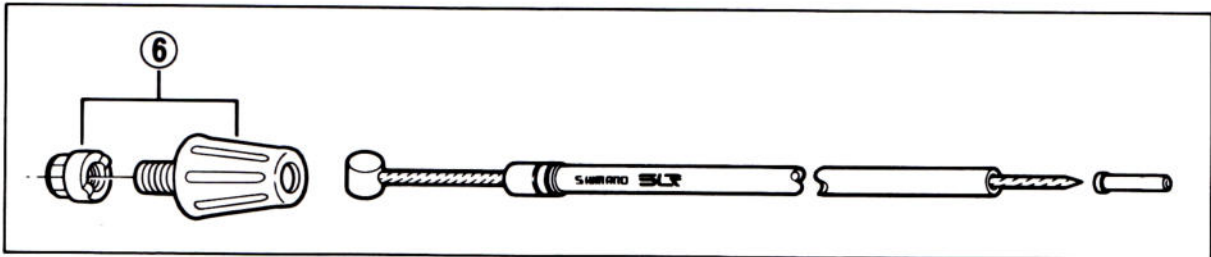
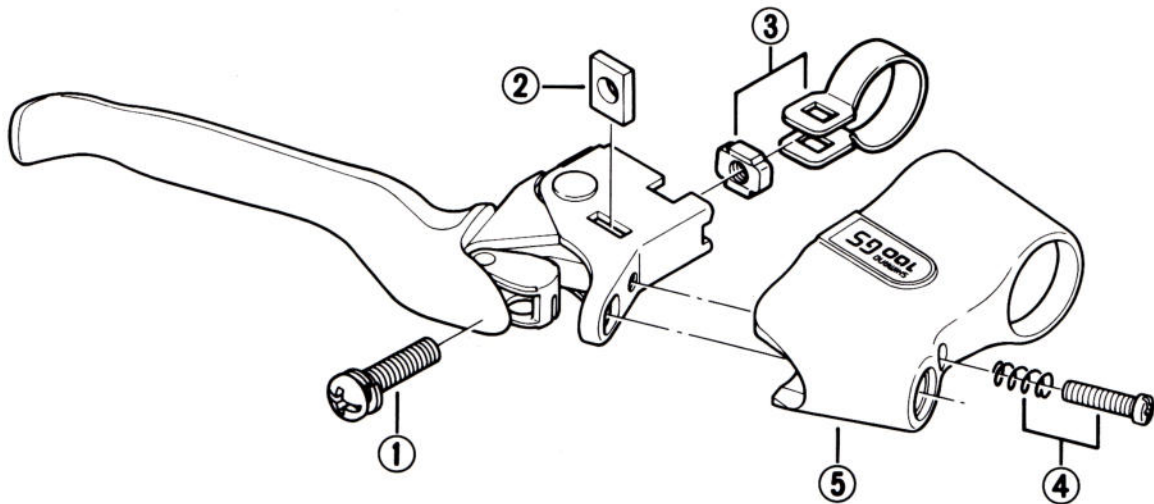
The table indicates the adaptability of conventional parts to BL-M200-S.

QTY	ITEM NO.	PART NO.	DESCRIPTION	INTERCHANGEABILITY
	1	000 1504	Clamp Screw	A
	2	85T 0500	Plate	A
	3	880 9820	Clamp Band & Nut	A
	4	86M 9810	Grip Adjusting Screw (M4 x 16.4) & Spring	A
	5	86H 9801	Bracket Covers (Black / Pair)	A
	6	86N 0500	Wire Hooking Cap for Right	A
		86N 0600	Wire Hooking Cap for Left	A
	7	86U 9801	Cable Adjusting Bolt & Nut	A

BL-M201

AP 9008-1164

BL-M101 Brake Lever SHIMANO 100GS



A : Same parts.

B : Parts usable, but differ in materials, appearance, finish, size, etc.

Absence of mark indicates non-interchangeability.

The table indicates the adaptability of conventional parts to BL-M101.

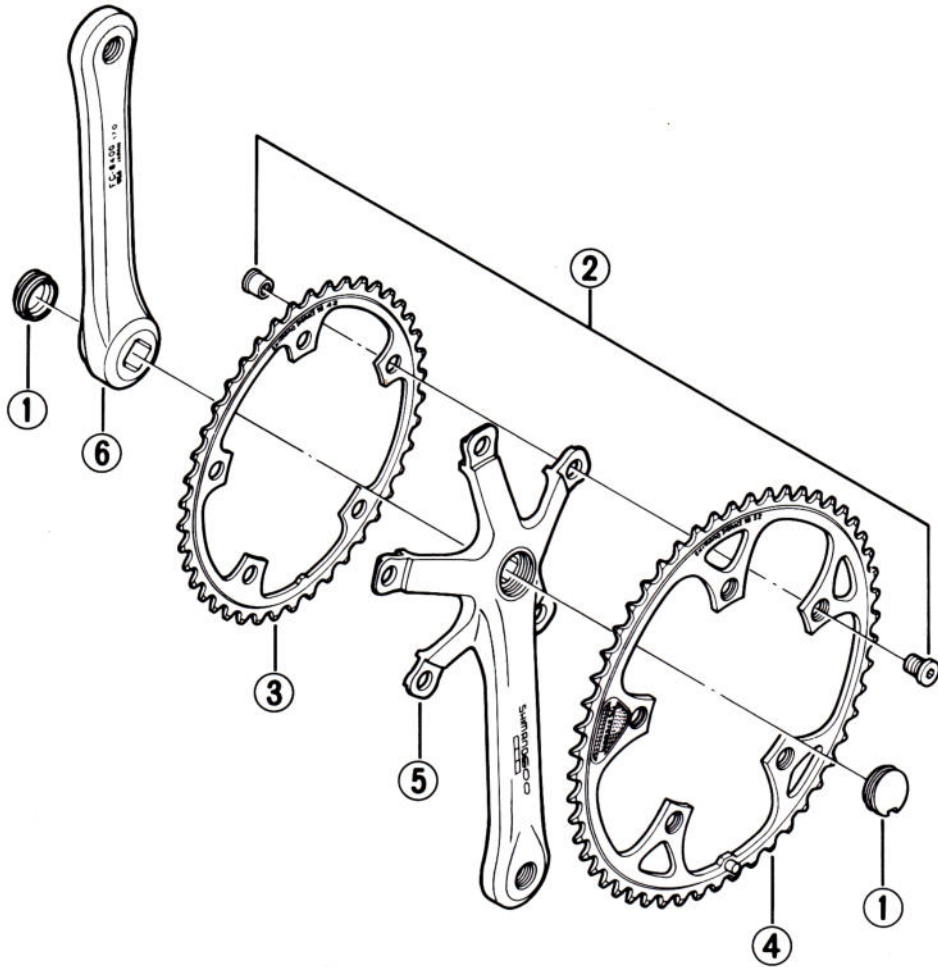
BL-M201

BL-M200

	Q'TY	ITEM NO.	PART NO.	DESCRIPTION	INTERCHANGEABILITY	
		1	000 1504	Clamp Screw	A	A
		2	85T 0500	Plate	A	A
		3	880 9820	Clamp Band & Nut	A	A
		4	86M 9810	Grip Adjusting Screw (M4 x 16.4) & Spring	B	B
		5	86M 9801	Bracket Covers (Black / Pair)		
		6	86U 9801	Cable Adjusting Bolt & Nut	A	A

AP 9004-1139

FC-6400-SG SHIMANO 600 Ultegra Front Chainwheel w/BIOPACE SG Chainring or Round SG Chainring



● Bolt circle diameter: 130mm

A : Same parts.

B : Parts usable, but differ in materials, appearance, finish, size, etc.

Absence of mark indicates non-interchangeability.

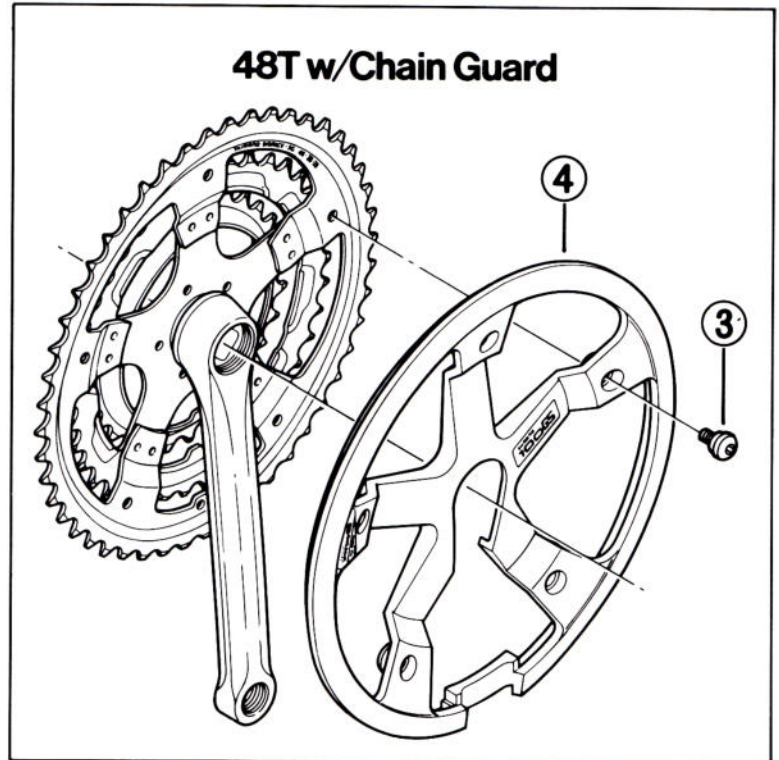
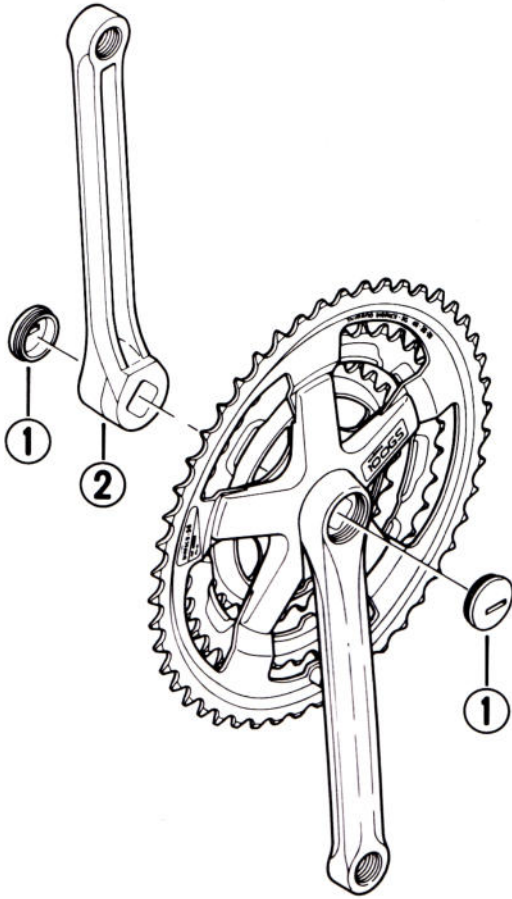
The table indicates the adaptability of conventional parts to FC-6400-SG.

Q'TY	ITEM NO.	PART NO.	DESCRIPTION	INTERCHANGE-ABILITY
	1	16E 9801	Crank Arm Cap w/Seal Ring	A
	2	132 9801	Chainring Fixing Bolt & Nut (5sets)	A
	3	16H 4210	Chainring 42T / BIOPACE-SG (Silver)	
		16H 4200	Chainring 42T / Round Gear-SG (Silver)	
	4	16H 5210	Chainring 52T / BIOPACE-SG (Silver)	
		16H 5200	Chainring 52T / Round Gear-SG (Silver)	
		16H 5300	Chainring 53T / Round Gear-SG (Silver)	
	5	16E 0200	Right Crank Arm 165mm	A
		16E 0400	Right Crank Arm 170mm	A
		16E 0600	Right Crank Arm 175mm	A
	6	16F 0200	Left Crank Arm 165mm	A
		16F 0400	Left Crank Arm 170mm	A
		16F 0600	Left Crank Arm 175mm	A

FC-6400

AP 9009-1150A

FC-M100 Front Chainwheel w/BIOPACE-SG Chainring SHIMANO 100GS



A : Same parts.
 B : Parts usable, but differ in materials, appearance, finish, size, etc.
 Absence of mark indicates non-interchangeability.
 The table indicates the adaptability of conventional parts to FC-M100.

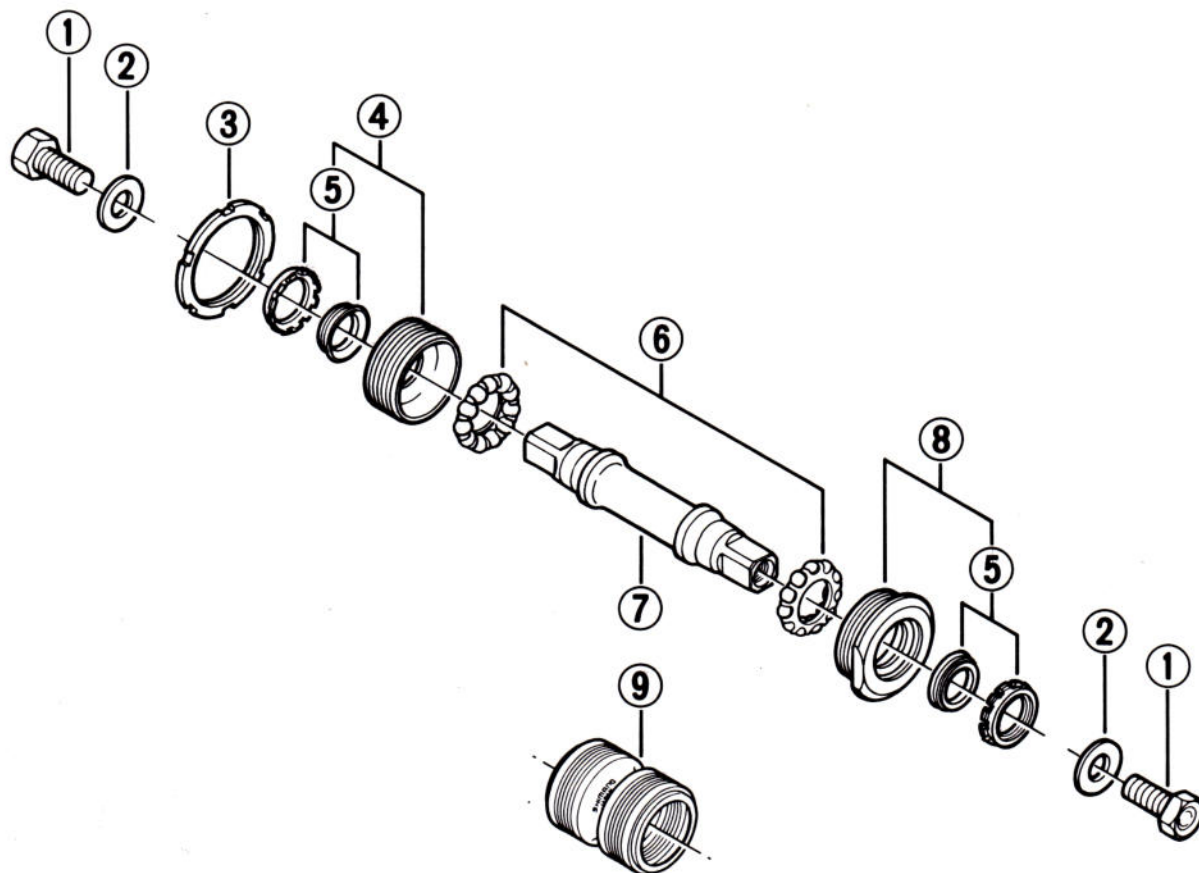
FC-M200

Q'TY	ITEM NO.	PART NO.	DESCRIPTION	INTERCHANGEABILITY
	1	18S 1100	Crank Arm Cap (Black)	
	2	18T 0100	Left Crank Arm 165mm	
		18T 0200	Left Crank Arm 170mm	
	3	13E 9802	Chain Guard Fixing Bolt (5pcs.)	A
	4	18S 9801	Chain Guard (Black)	

AP 9004-1145

BB-6400 Bottom Bracket Assembly

SHIMANO 600 Ultegra



A : Same parts.

B : Parts usable, but differ in materials, appearance, finish, size, etc.

Absence of mark indicates non-interchangeability.

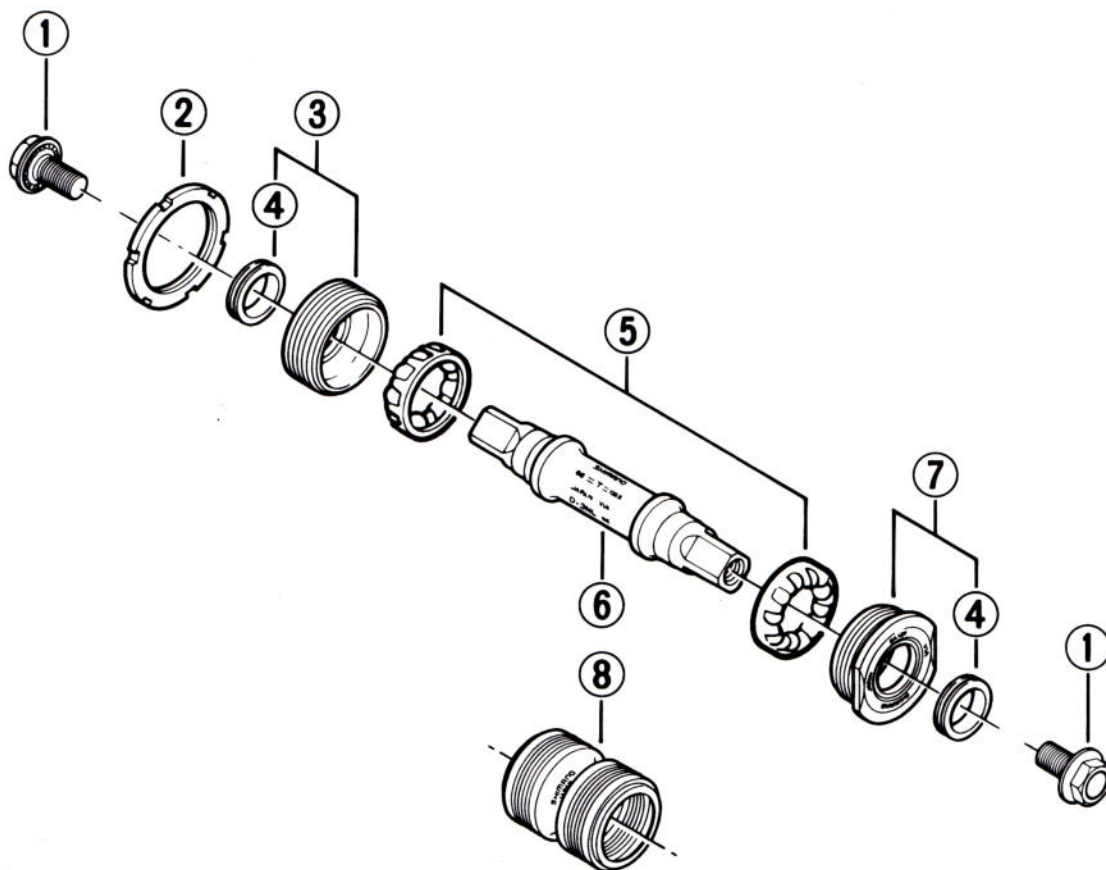
The table indicates the adaptability of conventional parts to BB-6400.

Q'TY	ITEM NO.	PART NO.	DESCRIPTION	INTERCHANGEABILITY
	1	134 0300	Crank Arm Fixing Bolt	A
	2	134 0400	Crank Arm Fixing Washer	A
	3	137 0501	Lock Ring (1.37" x 24T) English Thread	B
		137 0511	Lock Ring (35 x P1) French Thread	B
		137 0522	Lock Ring (36 x 24T) Italian Thread	B
	4	19D 9801	Left Hand Adjustable Cup Unit (1.37" x 24T) English Thread	B
		19D 9802	Left Hand Adjustable Cup Unit (35 x P1) French Thread	B
		19D 9803	Left Hand Adjustable Cup Unit (36 x 24T) Italian Thread	B
	5	19D 9804	Seal Cap & Seal Ring	
	6	189 9810	Ball Retainer (1/4") 2pcs.	B
	7	19D 0100	Spindle (D-3H) 113mm for Shell Width 68mm	B
		19D 0110	Spindle (D-5H) 115mm for Shell Width 70mm	B
	8	19D 9805	Right Hand Fixed Cup Unit (1.37" x 24T) English Thread	B
		19D 9806	Right Hand Fixed Cup Unit (35 x P1) French Thread	B
		19D 9807	Right Hand Fixed Cup Unit (36 x 24T) Italian Thread	B
	9	179 2100	Dust Seal	A

BB-1055

AP 9005-1151

BB-M200 Bottom Bracket Assembly SHIMANO 200GS



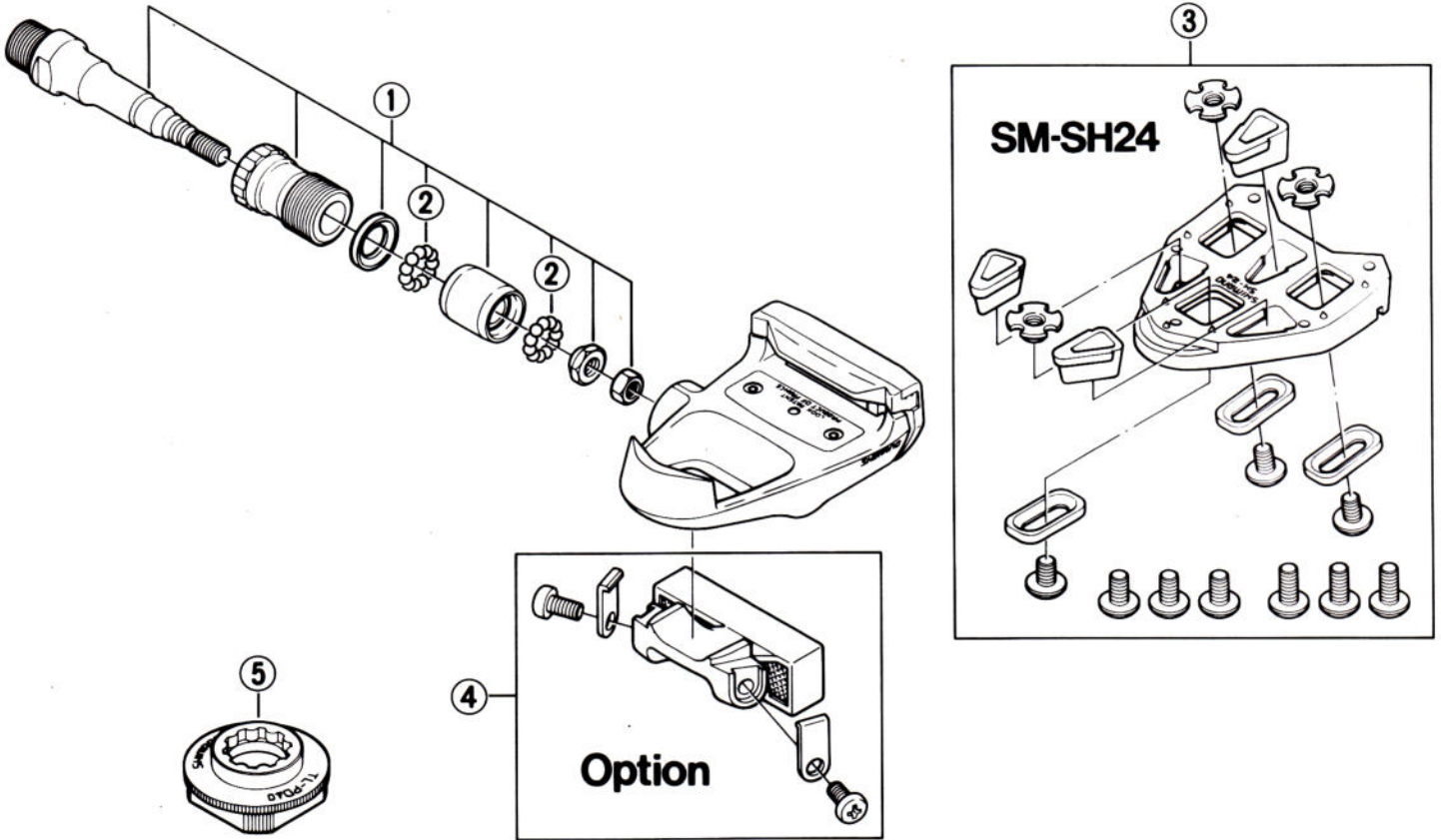
A : Same parts.
 B : Parts usable, but differ in materials, appearance, finish, size, etc.
 Absence of mark indicates non-interchangeability.
 The table indicates the adaptability of conventional parts to BB-M200.

BB-M730
 BB-MT60

Q'TY	ITEM NO.	PART NO.	DESCRIPTION	INTERCHANGEABILITY
	1	155 0701	Crank Arm Fixing Bolt	
	2	19M 0500	Lock Ring (1.37" x 24T) English Thread	B B
		19M 0501	Lock Ring (35 x P1) French Thread	B B
		19M 0502	Lock Ring (36 x 24T) Italian Thread	B B
	3	19M 9804	Left Hand Adjustable Cup (1.37" x 24T) English Thread & Seal Ring	B B
		19M 9805	Left Hand Adjustable Cup (35 x P1) French Thread & Seal Ring	B B
		19M 9806	Left Hand Adjustable Cup (36 x 24T) Italian Thread & Seal Ring	B B
	4	19B 0500	Seal Ring	A
	5	188 9802	Ball Retainer (1/4") 2pcs.	B A
		148 0182	Spindle (D-3NL) 122.5mm for Shell Width 68mm	
	6	148 0192	Spindle (D-5NL) 122.5mm for Shell Width 70mm	
		19M 9801	Right Hand Fixed Cup (1.37" x 24T) English Thread & Seal Ring	B B
	7	19M 9802	Right Hand Fixed Cup (35 x P1) French Thread & Seal Ring	B B
		19M 9803	Right Hand Fixed Cup (36 x 24T) Italian Thread & Seal Ring	B B
	8	179 2100	Dust Seal (Option)	A A

AP 9005-1149'

PD-6402 Pedal



A: Same parts.

B: Parts usable, but differ in materials, appearance, finish, size, etc.

Absence of mark indicates non-interchangeability.

The table indicates the adaptability of conventional parts to PD-6402.

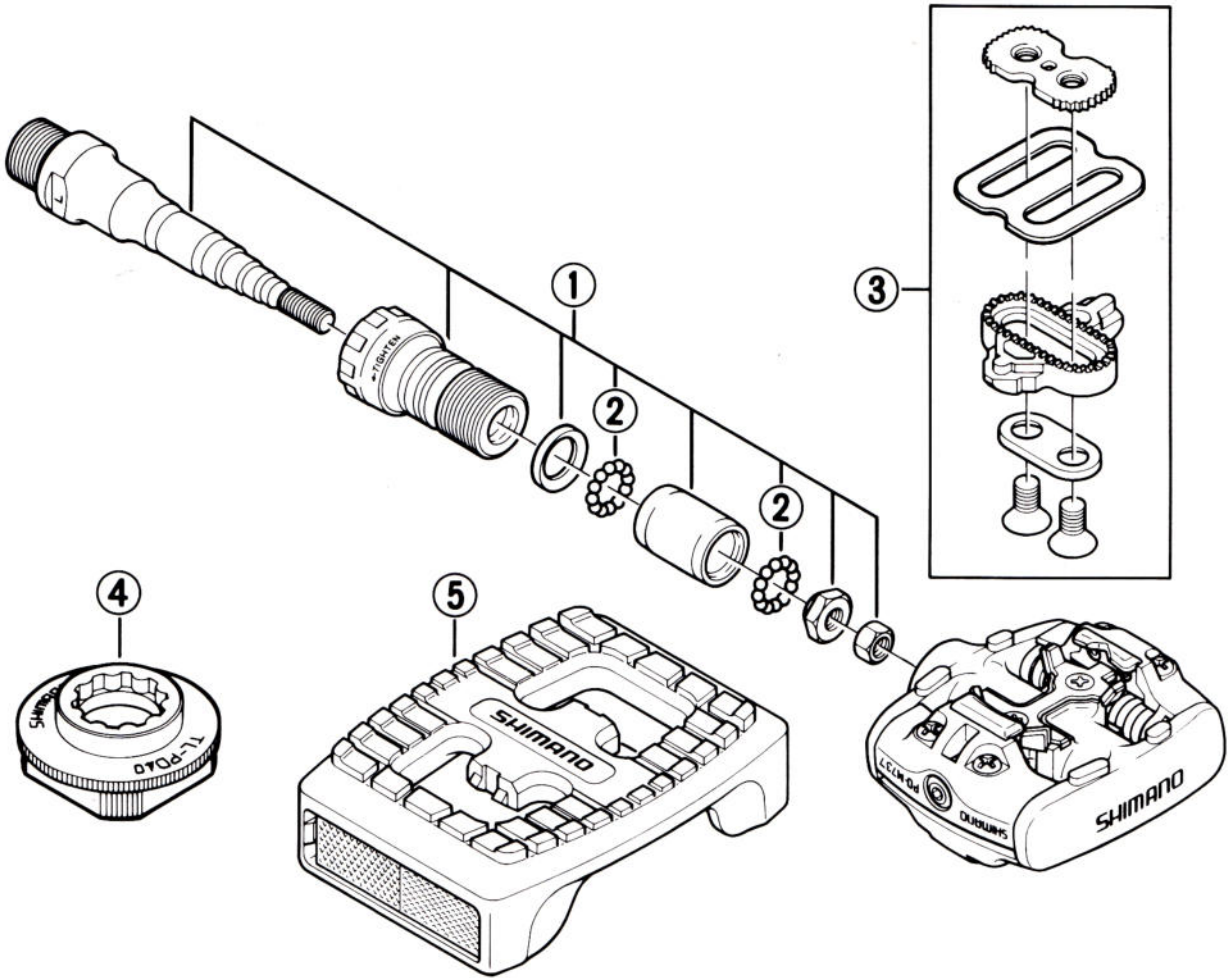
Q'TY	ITEM NO.	PART NO.	DESCRIPTION	INTERCHANGEABILITY
	1	43B 9801	Pedal Axle Assembly (Right / B.C.9/16" x 20T.P.I.)	B B
		43B 9802	Pedal Axle Assembly (Right / M14 x 1.25)	B B
		43B 9811	Pedal Axle Assembly (Left / B.C.9/16" x 20T.P.I.)	B B
		43B 9812	Pedal Axle Assembly (Left / M14 x 1.25)	B B
	2	000 9112	Steel Ball (1/8") 50pcs.	A A
	3	40B 9811	Cleat Set (SM-SH24) Pair	A A
	4	43A 9010	Reflector Unit (Pair) Option	
	5	42A 0900	Special Tool (TL-PD40)	A

PD-6401

PD-1056

AP 9007-E1160

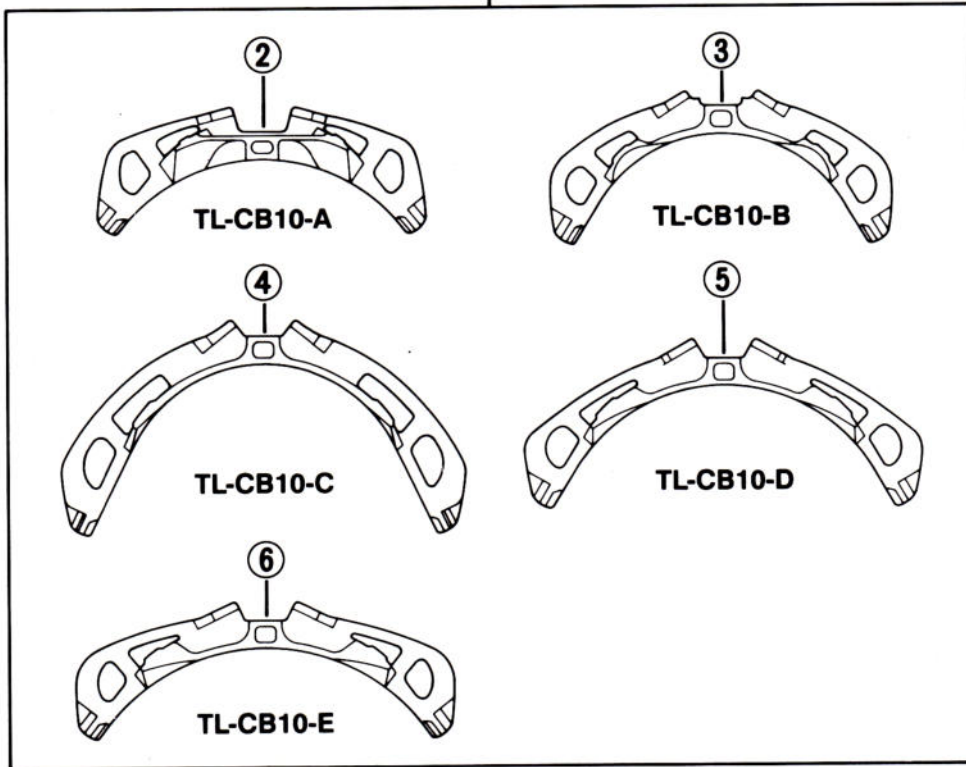
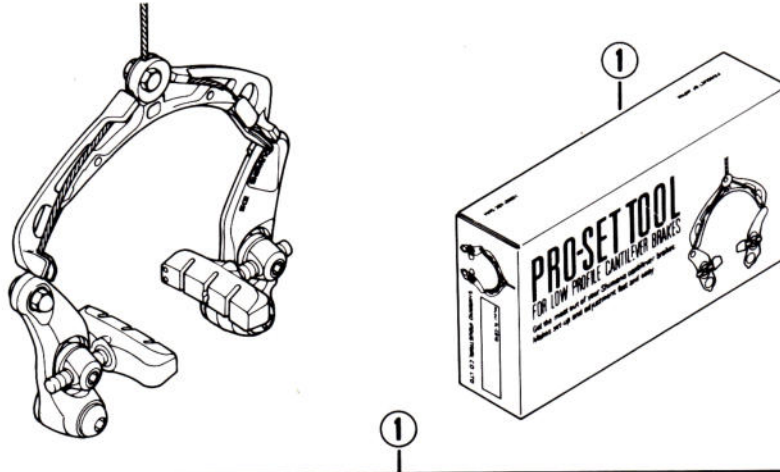
PD-M737 Pedal DEORE XT



	Q'TY	ITEM NO.	PART NO.	DESCRIPTION
		1	424 9802	Pedal Axle Assembly (Right / B.C.9/16" x 20T.P.I.)
			424 9803	Pedal Axle Assembly (Left / B.C.9/16" x 20T.P.I.)
		2	000 9161	Steel Ball (3/32") 60pcs.
		3	424 9801	Cleat Set (Pair)
		4	42A 0900	Special Tool (TL-PD40)
		5	424 9804	Reflector Unit (Pair)

AP 9009-1135C

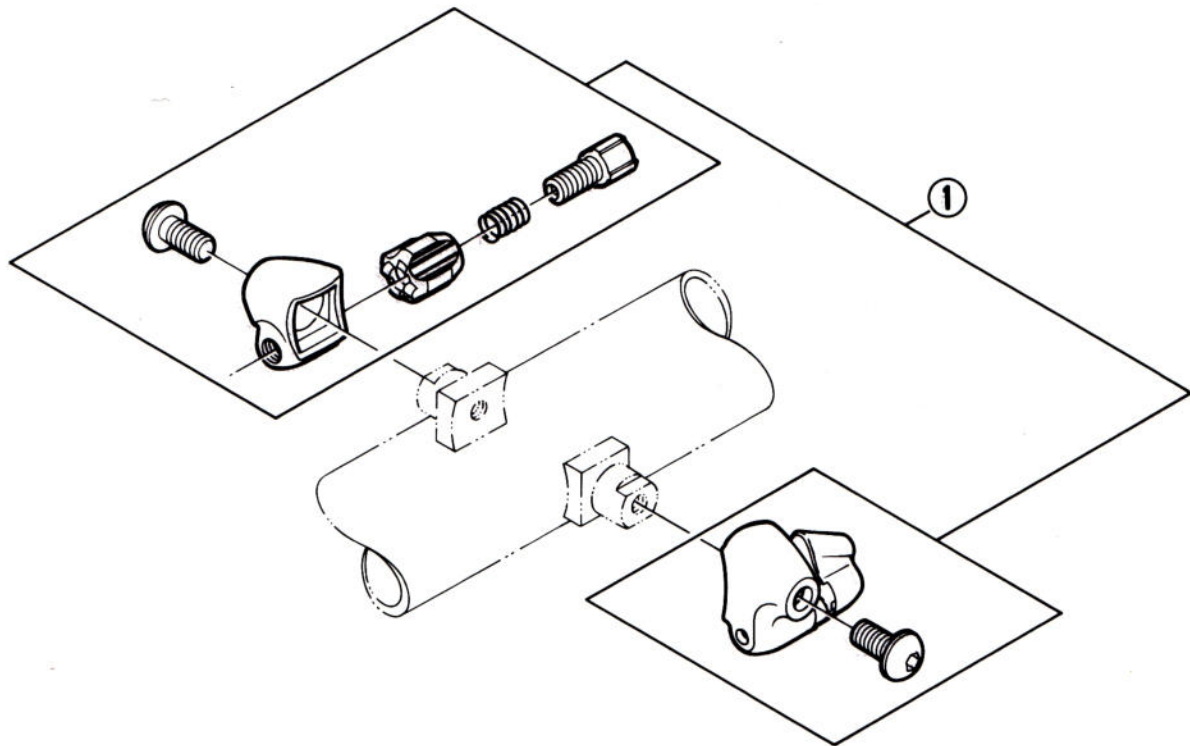
TL-CB10 Shimano Cantilever Brake Cable Setting Tool



Q'TY	ITEM NO.	PART NO.	DESCRIPTION	USED MODEL
	1	820 9801	Cable Setting Tool (5pcs.)	
	2	820 0100	A/73 (Blue) for Link Wire 73mm	BR-M734, BR-M650, BR-M201, BR-M100
	3	820 0200	B/82 (Violet) for Link Wire 82mm	BR-M734, BR-M650
	4	820 0300	C/106 (Yellow) for Link Wire 106mm	BR-M651, BR-M201, BR-M100
	5	820 0400	D/93 (Orange) for Link Wire 93mm	BR-M651, BR-M201, BR-M100
	6	820 0500	E/84 (Green) for Link Wire 84mm	BR-M352

AP 9009-1163A

SM-ST74 Small parts Cable Stopper for ST-7400 Brazed-on Boss



Q'TY	ITEM NO.	PART NO.	DESCRIPTION
	1	67D 9801	SM-ST74 Cable Stopper Unit (Pair)
		67D 9802	SM-ST74 Cable Stopper Unit for Light Alloy Frame (Pair)

AP 9001-1127A

SPARE PARTS LIST PRE 1990 PRODUCTS



CODE	DESCRIPTION
84a0100	D/A BR7402 BRAKE ARM *Y* SHAPE
153 0300	FCMT60 CRANK ARM BOLT
000 0111	PD1050 STEEL BALL 1/8 20 PCS
000 0112	PD1050 STEEL BALL 1/8 (22)
000 0121	HB1050-F STEEL BALL 3/16
000 0125	HB7400-F STEEL BALL 3/16 (18)
000 0131	HB1050-R STEEL BALL 1/4 18 PCS
000 0135	HB7400-R STEEL BALL 1/4 (22)
000 0136	FH7400 STEEL BALL 1/4 (18)
000 0151	PD6207 STEEL BALL 5/32
000 0303	PD6207 CLAMP BOLT FOR BAND ON
000 1016	B-TENSION SCREW
000 1303	FD6207 CLAMP BOLT FOR BAND ON
000 1902	PD6207 PLATE FIXING SCREW
103 1210	DA CASS TOP THREADED 6 12T
103 1310	DA CASS TOP THREADED 6 13T
103 1320	DA CASS 2ND BUILT IN 6 13T
103 1410	DA CASS TOP THREADED 6 14T
103 1420	DA CASS SPLINED 6/7 SPD 14T
103 1510	DA CASS TOP THREADED 6 15T
103 1520	DA CAS SPLINED 6/7 SPD 15T
103 1610	DA CAS TOP THREADED 16T
103 1620	DA CAS SPLINED 6/7 SPD 16T
103 1710	DA CASS TOP THREADED 6 17T
103 1720	DA CAS SPLINED 6/7 SPD 17T
103 1810	DA CAS TOP THREADED 6 SPD 18T
103 1820	DA CAS SPLINED 6/7 18T
103 1920	DA CAS SPLINED 6/7 SPD 19T
103 2020	DA CAS SPLINED 6/7 SPD 20T
103 2120	DA CAS SPLINED 6/7 SPD 21T
103 2220	DA CAS SPLINED 6/7 SPD 22T
103 2320	DA CAS SPLINED 6/7 SPD 23T
103 2420	DA CAS SPLINED 6/7 SPD 24T
103 2520	DA CAS SPLINED 6/7 SPD 25T
103 2620	DA CAS SPLINED 6/7 SPD 26T
103 2820	DA CAS SPLINED 6/7 28T
103 4100	FH7400 SPROCKET SPACER 6SPD
103 4200	DA SPACER 8SPD 3MM
104 1212	UL CAS TOP THREADED 6 12T
104 1312-1	UL CAS TOP THREADED 6 13T
104 1322	UL CAS 2ND BUILT IN 6 13T
104 1412-1	UL CAS TOP THREADED 6 14T
104 1422	ULT CAS SPKT 6 2ND W/SPACER 14
104 1512-1	UL CAS TOP THREADED 6 15T
104 1522	ULT CAS SPKT 6 2ND W/SPACER 15
104 1532	UL CAS SPLINED 6/7 15T
104 1612-1	UL CAS TOP THREADED 6 16T
104 1622	ULT CAS SPKT 6/7 SPLINED 16T
104 1632	ULT CAS SPLINED 6/7 16T
104 1712	UL CAS TOP THREADED 6 17T
104 1722	ULT CAS SPKT 6/7 SPLINED 17T
104 1732	UL CAS SPLINED 6/7 17T
104 1812	UL CAS TOP THREADED 6 18T
104 1822	ULT CAS SPKT 6/7 SPLINED 18T
104 1832	ULT CAS SPLINED 6/7 18T
104 1922	ULT CAS SPKT 6/7 SPLINED 19T
104 1932	UL CAS SPLINED 6/7 19T
104 2022	ULT CAS SPKT 6/7 SPLINED 20T
104 2032	ULT CAS SPLINED 6/7 20T
104 2122	ULT CAS SPKT 6/7 SPLINED 21T
104 2132	UL CAS SPLINED 6/7 21T
104 2222	ULT CAS SPKT 6/7 SPLINED 22T
104 2232	ULT CAS SPLINED 6/7 22T
104 2332	ULT CAS SPLINED 6/7 23T
104 2333	ULT CAS SPKT 6/7 SPLINED 23T
104 2422	ULT CAS SPKT 6/7 SPLINED 24T
104 2432	ULT CAS SPLINED 6/7 24T
104 2522	ULT CAS SPKT 6/7 SPLINED 25T
104 2532	ULT CAS SPLINED 6/7 25T
104 2622	ULT CAS SPKT 6/7 SPLINED 26T
104 2632	UL CAS SPLINED 6/7 26T
104 2822	ULT CAS SPKT 6/7 SPLINED 28T
104 2832	ULT CAS SPLINED 6/7 28T
104 3022	ULT CAS SPKT 6/7 SPLINED 30T
104 3032	ULT CAS SPLINED 6/7 30T
104 3222	ULT CAS SPKT 6/7 SPLINED 32T
104 3232	UL CAS SPLINED 6/7 32

CODE	DESCRIPTION
104 3422	ULT CAS SPKT 6/7 SPLINED 34T
104 3432	ULT CAS SPLINED 6/7 34T
104 4100	FH1050-R SPROCKET SPACER B
106 1210	DA CAS TOP THREADED 7 12T
106 1310	DA CAS TOP THREADED 7 13T
106 1320	DA CAS 2 BUILT IN 7 13T
106 1410	DA CAS TOP THREADED 7 14T
106 1420	DA CAS 2ND BUILT IN 7 14T
106 1510	D/A CASS SPKT 7/8 SPD THRD 15T
106 1520	DA CAS 2ND BUILT IN 7 15T
106 1620	DA SPROCKET 16T 2ND
106 1710	DA CAS TOP THREADED 7 17T
106 1720	DA CAS 2ND BUILT IN 7SPD
106 1820	FH7400 SPROCKET 7SPD 18T 2ND
106 4100	FH7400 SPROCKET SPACER 7SPD
108 1210	ULT CASS 12T TOP
108 1310	UL CAS TOP THREADED 7 13T
108 1320	UL CAS 2ND BUILT IN 13T 7SPD
108 1410	UL CAS TOP THREADED 7 14T
108 9901	CASSETTE SPROCKET PACK
10Y 0200	LOCK RING (B.C.30.55)
10Y 0300	LOCK RING SPACER
10Y 1202	SPROCKET WHEEL 12T SLV B-TYPE
10Y 1303	SPROCKET WHEEL 13T SLV C-TYPE
10Y 1402	SPROCKET WHEEL 14T SLV B-TYPE
10Y 1503	SPROCKET WHEEL 15T SLV C-TYPE
10Y 1602	SPROCKET WHEEL 16T SLV B-TYPE
10Y 1703	SPROCKET WHEEL 17T SLV C-TYPE
10Y 1802	SPROCKET WHEEL 18T SLV B-TYPE
10Y 2003	SPROCKET WHEEL 20T SLV C-TYPE
10Y 2102	SPROCKET WHEEL 21T SLV B-TYPE
10Y 2303	SPROCKET WHEEL 23T SLV C-TYPE
10Y 2402	SPROCKET WHEEL 24T SLV B-TYPE
10Y 2603	SPROCKET WHEEL 26T SLV C-TYPE
10Y 2802	SPROCKET WHEEL 28T SLV B-TYPE
10Y 3003	SPROCKET WHEEL 30T SLV C-TYPE
120 3131	EX FW THREADED 13T
120 3141	EX FW THREADED 14T
120 3142	EX FW BUILT IN 2 14T
120 3151	EX FW THREADED 15T
120 3152	EX FW SPLINED 2/3 15T
120 3161	EX FW THREADED 16T
120 3162	EX FW SPLINED 2/3 16T
120 3163	EX FW BUILT IN 4 16T
120 3171	EX FW THREADED 17T
120 3172	EX FW SPLINED 2/3 17T
120 3173	EX FW SPLINED 4/5/6 17T
120 3181	EX FW THREADED 18T
120 3182	EX FW SPLINED 2/3 18T
120 3183	EX FW SPLINED 4/5/6 18T
120 3192	EX FW SPLINED 2/3 19T
120 3193	EX FW SPLINED 4/5/6 19T
120 3202	EX FW SPLINED 2/3 20T
120 3203	EX FW SPLINED 4/5/6 20T
120 3213	EX FW SPLINED 4/5/6 21T
120 3223	EX FW SPLINED 4/5/6 22T
120 3233	EX FW SPLINED 4/5/6 23T
120 3243	EX FW SPLINED 4/5/6 24T
120 3253	EX FW SPLINED 4/5/6 25T
120 3283	EX FW SPLINED 4/5/6 28T
120 3303	EX FW SPLINED 4/5/6 30T
120 3304	600EX FWL SPRKT 30T SPLINED
120 3323	EX FW SPLINED 4/5/6 32T
120 3323	MF6208 SPROCKET 32T
120 3344	EX FW SPLINED 4/5/6 34T
120 9403	MF6208-6 FREEWHEEL BODY
120 9413	MF6208-5 FREEWHEEL BODY
120 9840	MF6208-5 COVER & SEAL RING B
120 9840	MF6208-6 COVER & SEAL RING
122 4700	MF6208-6 SPACER A
122 4800	MF6208-6 SPACER B
122 4900	MF SPACER C Z SERIES
122 4900-1	MF6208-6 SPACER C
129 1211	DA FW TOP THREADED 7 12T
129 1310	DA FW TOP THREADED 6 13T
129 1311	DA FW TOP THREADED 7 13T

CODE	DESCRIPTION
129 1340	DA FW 2ND THREADED 7 13T
129 1410	DA FW TP THREADED 6 14T
129 1411	DA FW TOP THREADED 7 14T
129 1420	DA FW 2ND BUILT IN 6 14T
129 1421	DA FW 3RD BUILT IN 7SPD
129 1440	DA FW 2ND THREADED 7 14T
129 1510	DA FW TOP THREADED 6 15T
129 1520	DA FW SPLINED 6 15T
129 1521	DA FW 3RD BUILT IN 7 15T
129 1540	DA FW 2ND THREADED 7 15T
129 1610	DA FW TOP THREADED 6 16T
129 1620	DA FW SPLINED 6/7 16T
129 1630	DA FW 3/4 BUILT IN 6 16T
129 1631	DA FW 4/5 BUILT IN 7 16T
129 1710	DA FW TOP THREADED 6 17T
129 1720	DA FW SPLINED 6/7 17T
129 1730	DA FW SPLINED 6/7 SPD 17T
129 1810	DA FW TOP THREADED 6 18T
129 1820	DA FW SPLINED 6/7 18T
129 1830	DA FW SPLINED 6/7 17T
129 1920	DA FW SPLINED 6/7 19T
129 1930	DA FW SPLINED 6/7 SPD 19T
129 2020	DA FW SPLINED 6/7 20T
129 2030	DA FW SPLINED 6/7 SPD 20T
129 2120	DA FW SPLINED 6/7 21T
129 2130	DA FW SPLINED 6/7 SPD 21T
129 2220	DA FW SPLINED 6/7 SPD 22T
129 2230	DA FW SPLINED 6/7 SPD 22T
129 2330	DA FW SPLINED 6/7 SPD 23T
129 2430	DA FW SPLINED 6/7 SPD 24T
129 2530	DA FW SPLINED 6/7 SPD 25T
129 2630	DA FW SPLINED 6/7 SPD 26T
129 2830	DA FW SPLINED 6/7 SPD 28T
129 4600	MF 7400 SEAL RING B
129 4610	SEAL RING
129 4800	MF7400 SPACER A
129 4801	MF7401 SPACER A 7SPD
129 4810	MF7400 SPACER B
129 4811	MF7401 SPACER 7B
129 4820	MF7400 SPACER C
129 4821	MF7401 SPACER 7C
129 9811	MF7400 FWHL BODY
129 9812	MF7401 COMPL F/WHL BODY
129 9821	MF7400 COVER & SEAL RING B
129 9822-1	MF7400 6 COVER & SEAL RING B
130 0910	HANGER CUP HOOK BOLT
132 9801	FC6400 C/RING FXG BLT
132 9805	EXAGE CH/RNG FIX BLTS INNER 5
134 0300	FC7400/BB7600 CRNK ARM FXG BLT
134 0400	FC7400/BB7600 C/ARM WASHER
137 0500	BBM730 L/RING BS THREAD
137 0501	BBM6400 L/RING BS THREAD
147 0520	BB6207 L/RING ITL THREAD
147 0522	BB6400 L/RING ITL THREAD
13E 0200	A350 R/H CRANK ARM 170MM
13E 0220	EXAGE A452 R/H CRANK 170MM
13E 4200	EXAGE CHAINRINGS DBLE 42T
13E 5200	EXAGE CHAINRINGS DBLE 52T
13F 0200	A350 L/H CRANK ARM 170MM
13F 0210	XA M350 LH CRANK ARM 170M
13F 0300	M450 LH CRANK ARM 175M
13F 0310	M452 LH CRANK ARM 175M
13F 0320	EXAGE M452 R/H CRANK ARM 175M
13F 0310	XA M350 LH CRANK 175MM
13G 0200	XA M450 RH CRANK ARM 170MM
13G 0210	M452 RH CRANK ARM 170MM
13G 0220	EXAGE M452LX R/H CRANK 170MM
13G 0300	XA M450 RH CRANK ARM 175MM
13G 0310	XA M350 RH CRANK ARM 175MM
13G 0320	EXAGE M452 R/H CRANK 175MM
13G 1202	EXAGE CRANK ARM CAPS
13G 2800	EXAGE BP TPL CH/RING INNER 28T
13G 3800	EXAGE BP TPL CH/RING MIDDLE 38T
13G 4800	EXAGE BP TPL CH/RING OUTER 48T
13R 0130	EXAGE A250 R/H CRANK 170MM
13R 0310	A250 R/H CRANK ARM 170MM
13R 9801	EXAGE CH/RNG FIX BLTS OUT/M/S D

13S 0130 EXAGE A250 L/H CRANK 170MM
13T 0130 EXAGE M250 R/H CRANK ARM 170MM
13T 0150 EXAGE M250 R/H CRANK ARM 175MM
13T 3800 FC-M250 CHAINRING 38T
13T 4800 FC-M250 CHAINRING 48T
143 0140 FC1050 R/H CRANK ARM 170MM
143 9801 FCM730 TRPL FXG BLT & SPACER
144 2001 FC6207 CRANK ARM DUSTCAP
144 2300 FC6207 RT CNK ARM 170MM
144 2700 FC6207 LT CRANK ARM 170MM
144 3200 FC6207 R/CRANK ARM 175MM
144 4800 600 OUTER RING 48T
144 4900 600 OUTER RING 49T
144 5000 600 OUTER RING 50T
144 5100 600 OUTER RING 51T
144 5200 600 OUTER RING 52T
144 5300 600 OUTER RING 53T
145 3900 600 INNER RING 39T
145 3910 ULTEGRA CHAINRING RND 39T
145 4000 600 INNER RING 40T
145 4010 ULTEGRA CHAINRING RND 40T
145 4100 600 INNER RING 41T
145 4200 600 INNER RING 42T
145 4210 ULTEGRA CHAINRING RND 42T
145 4300 600 INNER RING 43T
145 4400 600 INNER RING 44T
145 4500 600 INNER RING 45T
145 5200 ULTEGRA CHAINRING RND 52T
147 0420 600 BP C/RING 42T INNER SLVR
147 0421 600 BP C/RING 42T INNER GMG
147 0520 600 BP C/RING 52T OUTER SLVR
147 0521 600 BP C/RING 52T OUTER GMG
147 0530 600 BP C/RING 53T OUTER SLVR
147 0531 600 BP C/RING 53T OUTER GMG
147 2600 XT BP INNER RING 26T SILVER
147 2601 XT BP I/RING 26T GMG
147 2800 XT BP INNER RING 28T SLVR
147 2801 XT BP I/RING 28T GMG
147 3600 XT BP MIDDLE RING 36T SLVR
147 3601 XT BP MIDDLE RING 36T GMG
147 3800 XT BP MIDDLE RING 38T SLVR
147 3801 XT BP MIDDLE RING 38T GMG
147 4400 XT BP MIDDLE RING 44T SLVR
147 4401 XT BP MIDDLE RING 44T GMG
147 4600 XT BP C/RING 46T OUTER SLVR
147 4601 XT BP O/RING 46T GMG
147 4800 XT BP O/RING 48T SILVER
147 4801 XT BP OTR C/RING 48T GMG
147 5000 XT BP OTR RING 50T SLVR
147 5001 XT BP OTR RING 50T GMG
148 0104 BB6207 SPNDL FOR 68MM SHELL
148 0109 BB1050 SPNDL 113MM ENG
148 0113 BB6207 SPNDL FOR 70MM SHELL
148 0115 BB1050 SPNDL 115MM ITL
148 0161 BBMT730 SPNDL 117.5MM BS
148 0162 BBMT60 SPNDL 117.5 BS
148 0180 BBM730 SPINDLE 122.5 (68MM BB)
148 0182 BBMT60 SPNDL 122.5MM BS
148 0800 600EX CRANK ARM FIXING NUT
149 1301 BB SPINDLE 121.5MM
14E 0120 FC1050 RT CRANK ARM 165MM
14E 0140 FC1050 RT CRANK ARM 170MM
14E 0200 FC1050 CRANK ARM DUSTCAP
14E 3920 105 CHAINRING RND 39T
14E 4020 105 CHAINRING RND 40T
14E 4210 105 INNER RING 42T
14E 4220 105 CHAINRING RND 42T
14E 4310 105 INNER RING 43T
14E 4422 105 CHAINRING RND 44T
14E 4810 105 CHAINRING RND 48T
14E 4010 105 CHAINRING RND 50T
14E 5210 105 OUTER RING 52T
14E 5310 105 OUTER RING 53T
14F 0140 FC1050 LT CRANK ARM 170MM
14F 0160 FC1050 LH CRANK ARM 175MM
154 0400 FCM730 CRANK ARM WASHER
161 1000 FC7600 CRANK ARM D/CAP
161 9801 FC7600 C/RING FXG BLT/NUT
168 4200 105 BIOPACR CHAINRING 42T
168 5200 105 B/P CHAINRING 52T
16A 0130 FCM730 RH CRANK ARM 170MM
16A 0150 FCM730 RH CRANK ARM 175MM
16A 0200 FCM730 CRANK ARM CAP
16A 2600 DEORE XT CH/RING B/P SLVR 26T
16A 2800 DEORE XT B/P CH/RING 28T SLVR
16A 3600 DEORE XT B/P CH/RING 36T SLVR
16A 3800 DEORE XT B/P CH/RING 38T SLVR
16A 4800 DEORE XT B/P CH/RING 48T SLVR
16B 0130 FCM730 LH CRANK 170MM

16B 0150 FCM730 LH CRANK ARM 175MM
16E 0400 FC6400 RT CRANK 170MM
16E 9801 FC6400 C/ARM DUST CAP
16F 0400 FC6400 LT CRANK ARM 170MM
16F 0410 FC6400 LH CRANK 175MM
16F 9910 EXAGE BRACKET ADAPTER MTG KIT
172 2000 FCM730 CRANK DUST ARM DUST CAP
172 9801 FCM730 C/RING BOLT & NUT
172 9802 FCM730 TRPL GEAR FXG BOLT
178 0106 105 R/H FIXED CUP ITL THREAD
178 0108 BB1050 RH FIXED CUP ENG
178 0176 BB1050 RH FIXED CUP ITL
178 0305 BB1050 LH ADJ CUP ITL
178 0307 BB1050 LH ADJ CUP ENG
178 0510 BB1050 L/RING ITL THREAD
178 0530 BB1050 L/RING ENG THREAD
179 0100 BBM730 SEAL CAP
179 2100 BB6400 DUST SEAL
179 9801 RH FXD CUP BS THREAD
179 9803 BB6207 FIXED CUP ITL THREAD
179 9811 BBM730 LH ADJ CUP BS THREAD
179 9813 BB6207 ADJ CUP ITL THREAD
179 9821 FC6207 CRANK ARM FXG BLT & WSHR
17A 0200 FCM760 RT CRANK ARM 170MM
17B 0200 FCM760 LT CRANK ARM 170MM
17B 0300 FCM760 LT CRANK ARM 175MM
17W 0300 D/A FC7402 RGHT CRANK ARM 170MM
17Y 0300 D/A FC7402 LEFT CRANK ARM 170MM
17Y 0400 D/A FC7402 RIGHT CRANK ARM 172.5MM
17Y 0400 D/A FC7402 LEFT CRANK ARM 172.5MM
180 2100 BB7400 SPNDL 122/68MM BS
180 2110 BB7400 SPNDL 113/70MM ITL
180 2150 D/A SPINDLE 109MM BB7600
180 2160 BOTTOM BRACKET AXLE 109MM
180 2161 BB7600 SPNDL 109MM FOR ITL
180 2400 BB7400 L/RING BS THREAD
180 2420 BB7400 L/RING ITL THREAD
180 2500 BB7400 SEAL CAP
180 9801 BB7400 RT FIXED CUP BS
180 9802 BBMT60 BALL RETAINER 1/4
180 9803 BB7400 RT FIXED CUP ITL
180 9811 BB7400 LT ADJ CUP BS THREAD
180 9813 BB7400 LT ADJ CUP ITL THREAD
180 9821 BB78400 BALL RETAINER
180 9822 BB7400 DUST COVER
1820 2150 BB7600 SPNDL 109MM 68MM BS
188 9001 BB1050 BALL RETAINER 1/4
189 0100 FC7400 RT CRANK ARM 165MM
189 0300 FC7400 RT CRANK ARM 170MM
189 2100 FC7400 CRANK ARM DUSTCAP
189 3800 DURA ACE CHAINRING 38T INNER
189 3900 DURA ACE INNER RING 39T
189 4000 DURA ACE INNER RING 40T
189 4100 DURA ACE INNER RING 41T
189 4200 DURA ACE INNER RING 42T
189 4250 D/ACE CHAINRING BIOPACE 42T
189 4300 DURA ACE INNER RING 43T
189 4400 DURA ACE INNER RING 44T
189 4500 DURA ACE INNER RING 45T
189 4600 DURA ACE INNER RING 46T
189 4700 DURA ACE INNER RING 47T
189 4800 DURA ACE INNER RING 48T
189 4900 DURA ACE INNER RING 49T
189 5000 DURA ACE INNER RING 50T
189 5100 DURA ACE INNER RING 51T
189 5200 DURA ACE INNER RING 52T
189 5250 D/ACE CHAINRING BIOPACE 52T
189 5300 DURA ACE OUTER RING 53T
189 5350 D/ACE CHAINRING BIOPACE 53T
189 5400 DURA ACE OUTER RING 54T
189 9801 FC7400 CHAINRING FIX BOLTS
189 9810 BB6400 BALL RETAINER 1/4
190 0100 FC7400 L/H CRANK ARM 165MM
190 0300 FC7400 LT CRANK ARM 170MM
190 0310 FC7400 LH CRANK ARM 170MM
19B 0500 BBMT60 SEAL RING
19B 9801 BBMT60 RT HAND FIXED CUP
19B 0100 BB-A450 SPINDLE 113MM
19B 0120 M450 BB SPINDLE 117.5 ONLD
19B 0500 BBMT60 SEAL RING
19B 9801 BBMT60 LT HAND ADJUSTABLE CAP
19B 9804 BBMT60 R/H FIXED CUP & SEAL
19D 0100 BB6400 SPINDLE 113MM FOR 68M
19D 0110 BB6400 SPDL 115MM FOR 70MM
19D 9801 BB6400 L/HAND ADJ CUP BS THRD
19D 9803 BB6400 L/H ADJ CUP ITL THRD
19D 9804 BB6400 SEAL CAP AND RING
19D 9805 BB6400 R/H FIX CUP BS THRD
19D 9807 BB6400 R/H FIX CUP ITL THRD

200 0400-1 HUB LOCK NUT 600
202 9801 EXAGE A450 COMP Q/R 96MM ONLD
202 9804 A450 COMP HUB AXLE 96MM ONLD
204 9802 HB-M450-NT COMP HUB AXLE 100MM
205 0100 HBMT60-F DUST CAP
205 9040 HBMT60-F COMP QUICK RELEASE
206 0100 HBMT60-F HUB NUT
206 9801 HBMT60-F COMP HUB AXLE SS TYPE
210 0820 LOCK NUT
210 0820-1 HB 600EX LOCK NUT 3M
210 0908-1 HFMN72 FRONT DUST CAP
214 0400 HB6400-F DUST CAP
214 9801 HBMT60-F COMP HUB AXLE QR TYPR
214 9802 HBMT60-F CONE & SEAL RING
215 1100 HB6207-F DUST CAP
215 9801 HB6207-F COMPLETE AXLE ASSEMB
215 9811 HB6207-F COMPLETE QUICK RLS
215 9822 HB6207-F CONE & SEAL RING
216 0600 D/A HB LOCK NUT 4MM
216 0700 HBMT730-F HUB AXLE FOR 100 ONLD
216 9801 HB7400-F AXLE ASSEMBLY
216 9811 HB7400-F CONE & SEAL RING
216 9815 HB7400-F DUST CAP
216 9821 HB7400-F Q/RELEASE ASSEMBLY
220 0430 RIGHT HAND WASHER 0.5MM
220 0501 LOCK NUT
220 0501-1 EX RIGHT HAND LOCK NUT 4.5MM
220 0502 LOCK NUT
220 0502-1 EX LFT HAND LOCK NUT 3.5MM
220 0850 FH6208-R RIGHT HAND CONE
226 0300 HB6207-R RT HAND DUST CAP
226 9801 HB6207-R COMPLETE Q/RELEASE
226 9811 HB6207-R COMPLETE AXLE ASSEMB
226 9831 HB6207-R RT HAND CONE & DUST SEA
226 9832 HB6207-R LT HAND CONE & DUST SEA
231 1100 HB1050-F VOLUTE SPRING
231 1500 600 HB QCK REL WASHER 1.5
233 1600 D/A HB NON-TURN WASHER FRONT
233 1800 HB7400-F AXLE
233 2100 D/A FH VOLUTE SPRING
236 9821 HBMN72F FRONT HUB CONES
240 9801 HB7400-R AXLE ASSEMBLY
240 9811 HB/FH7400-R CONE & SEAL RING
240 9815 HB/FH7400-R DUST CAP
240 9821 HB/FH400-R Q/RELEASE ASSEMBLY
241 1100 FH AXLE SPACER 5.5MM
243 1600 DA HB NON-TURN WASHER REAR
243 1701 DA HB LFT HND LOCK NUT 7.5MM
243 1900 600EX HB SPACER 4.5MM
243 2001 HB/FH7400-R AXLE
247 9002 FHM730 HUB NUT
248 9801 EXAGE A450 COMP Q/R 130MM
248 9802 EXAGE A450 HUB AXLE 130MM
268 1000 HB7600-F DUST CAP
268 9812 H7600-F CONE & SEAL RING
278 1100 HB7600-R DUST CAP
278 1900 HB7600-R LOCK RING
278 9805 HB7600-F AXLE ASSEMBLY
278 9812 HB7600-R CONE & SEAL RING
299 0200 HUB AXLE REAR 174MM
299 0210 FHM730 HUB AXLE FOR SS TYPE
299 9011 HBMN72 CONE & SEAL RING
30 1910-9 FH7400/2 REAR AXLE FOR 130 ONL
301 0300 HB1050-R RIGHT HAND DUST CAP
301 0400 HB1050-R LEFT HAND DUST CAP
301 0401 FH1050-R LEFT HAND DUST CAP
301 0500 HB1050-R HUB AXLE 126 ONLD
301 0700 105 FH HUB WASHER 1.5MM
301 0710 105 HB LEFT HAND WASHER 1.5MM
301 9070 FH1050-R L/HAND CONE & SEAL RING
301 9071 HB1050-R CONE & SEAL RING
301 9801 HB1050-F COMPLETE HUB AXLE
301 9802 HB1050-F COMPLETE QK RELEASE
301 9810 HB1050-R COMPLETE HUB AXLE
301 9811 HB1050-R COMPLETE QK RELEASE
301 0810 105 HB RH HAND WASHER 1.2MM
30E 9801 EXAGE COMP F/W BODY 7 SPD
30E 9802 FH-M452 COMP Q/R UNIT 135M OL
30E 9803 M452LX COMP HUB AXLE Q/R 130MM
30E 9804 M452LX COMP HUB AXLE Q/R 135MM
30E 9806 M452LX COMP HUB AXLE S/S 135MM
321 7300-1 PUSH ROD
321 9029-1 COMPLETE BELL CRANK
321 9901 BELL CRANK ASSEMBLY
32A 9801 FHM732 COMP F/W BODY H/GLIDE
32A 9802 XT11 L/H DUST CAP FHM732
32C 9801 DEORE COMP F/W BODY 7 SPD
336 0600 HMB730 CONE
336 0700 XT HB-M730 LOCK NUT FH

336 9801	HBM730 QK RELEASE ASSEMBLY	379 9040	FHMT60-QR COMP F/W BODY	461 9801	PD6400 TOE CLIP M SIZE
336 9802	HBM730 COMP QR AXLE ASSEMBLY	379 9060	FHMT60-QR Q/R AXLE ASSEM 126	461 9802	PD6400 TOE CLIP L SIZE
336 9803	XT FH DUST CAP REAR	379 9801	FHMT60-QR Q/R AXLE ASSEM 130	461 9803	PD6400 TOE CLIP LL SIZE
337 0100	HBMT60-F HUB AXLE SS TYPE	379 9802	FHMT60-QR COMP AXLE FOR 130	463 0303-1	PD6207 RT SIDE REAR PLATE
337 9010	HBM730 HUB NUT	379 9802	FHMT60-QR COMP AXLE FOR 126	463 0403-1	PD6207 LT SIDE REAR PLATE
337 9801	HBM730 COMP SS AXLE ASSEMBLY	380 0100	FHMT60-NT HUB NUT	464 1000	PD6207 FRONT PLATE
337 9802	HBM730 SLEEVE LOCK NUT & SPCR	380 9020	FHMT60-NT RT HND AXLE SPCR/SL	468 0800	PD6207 KEY WASHER
338 0300	HB1050-F DUST CAP	380 9801	FHMT60-NT SS AXLE ASSEM 130	468 0900	PD6207 LOCK NUT
338 0400	HB1050-F HUB AXLE	380 9802	FHMT60-NT SS AXLE ASSEM 126	480 0200	SQM730 WASHER FOR DIAMETER 6MM
338 9051	105 HB QK RELEASE ADJUST NUT	381 0600	FHM732 RT HAND CONE	480 0210	SQM730 WASHER FOR DIAMETER 8MM
338 9070	HB1050-F CONE & SEAL RING	408 2200	PDA450 TOE CLIP FIXING PLATE	480 0310	SQ/M730 PIPE 8/30MM
338 9072	105 FRONT HUB CONE & SEAL	408 2300	A450 TOE CLIP FIXING BOLT	480 0500	SQM730 VOLUTE SPRING
340 1000	HB-F 105 DUST CAP SILVER	408 2400	PDA450 TOE CLIP FXNG WASHER	480 9801	SQM730 CAM LEVER ASSEMBLY
354 9801	FH7402 8 SPD FREEHUB BODY	408 9803	PDA450 TOE CLIPS M	480 9802	SQM730 NUT FOR SKEWER
354 9802	D/ACE R/H DUST CAP 8 SPD	408 9804	PDA450 TOE CLIPS L	482 0100	SP7400 LOWER PLATE
354 9804	FH7402 RH CONE & SEAL	408 9805	PDA450 TOE CLIPS LL	482 0200	SP7400 UPPER PLATE
354 9805	FH7402 LH CONE & SEAL	409 0900	PDMT60 CAP	482 9001	SP7400 ADJG BLT & SPRING
356 5800	FH7400 STOPPER	414 0500	PDMT60 RT SIDE PLATE	482 9801	SP7400 FXG BLT & WSH
356 5901	FH-7400 RH HAND LOCK NUT 4MM	414 0600	PDMT60 LT SIDE PLATE	483 0300	SP6400 LOWER PLATE
356 6100	600 FRONT AXLE WASHER	414 0900	PDMT60 SEAL	483 0400	SP6400 UPPER PLATE
356 9002	DURA ACE FREEHUB BODY 5 SPD	414 9801	PDMT60 PDL AXLE UNIT RT BS TH	488 2000	XTII UPPER PLATE SPM730
357 1117	GOLD SPROCKET 11T SPLINED 7SPD	414 9803	PDMT60 PDL AXLE UNIT LS BS TH	488 2100	XTII LOWER PLATE SPM730
357 1237	GOLD SPROCKET 12T SPLINED 7SPD	414 9810	PDMT60 REFLECTOR UNIT	488 9801	FIXING BOLT & WASHER SPM730
357 5205	FH6208-R OUTER BODY	415 0310	PD1050 PEDAL AXLE RT	511 0501	D/A RD7402 TENSION ADJ BOLT
357 5301	FH6208-R BODY FIXING RACE	415 0600	PD1050 DUST CAP	511 2700	PULLEY CAP
357 5310	FHM730 BODY FXING RACE	415 0700	PD1050 TOE CLIP SIZE L	511 2900	DS PULLEY BUSHING
357 5800	FH1050-R SPROCKET SPACER A	415 0710	PD1050 TOE CLIP SIZE M	513 9814-5	OUTER PLATE & STOP SCREW
357 5810	CS6400 SPACER A FOR 7SPD	415 0720	PD1050 TOE CLIP SIZE LL	516 0400	D/A RD B SEAL RING
357 5910	CS6400 SPACER B FOR 7SPD	415 0800	PD1050 PLATE	516 0900	CABLE ADJUSTING BARREL
357 5910-1	SPROCKET SPACER B (T=3.15MM)	415 1100	PD1050 PLATE FIXING SCREW	516 1000	CABLE ADJUSTING SPRING
357 6001	FH1050-R SPROCKET FIXING BOLT	415 9801	PD1050 AXLE UNIT RIGHT	516 1101	RD XT SIS BARREL ADJ
357 6002	SPROCKET FIXING BOLT (M3X21.5)	415 9802	PD1050 AXLE UNIT LEFT	516 3400	D/A RD B - TENSION SPRING
359 0100	FH6206-R INNER BODY	415 9805	PD1050 REFLECTOR UNIT F & R	516 3401	D/A RD7402 B- TENSION SPRING
359 0400	FH1050-R FRE-WHL BDY FIX BOLT	416 0300	PDM730 RT SIDE PLATE	516 3500	B-TENSION ADJUSTING BOLT
359 0500	FH1050-R FRE-WHL BDY DUST CAP	416 0400	PDM730 LT SIDE PLATE	516 9801	RD1050 CABLE ADJG BARREL UNIT
359 0600	FH6208-R RT HAND DUST CAP	416 0500	PD XT PEDAL AXLE RH SPINDLE	516 9802	RD1050 BRKT AXLE ASSEMBLY
359 0800	HB6207 LT HAND DUST CAP	416 0600	PD XT PEDAL AXLE FT SPINDLE	521 3100	MISC REAR MECH JCKY WHEEL
359 9812	FH6208-R COMPLETE HUB AXLE	416 0600-1	PDM730 PEDAL AXLE LEFT	522 9800	REAR MECH JCKY WHEEL
359 9831	FH6208-R FREEWHEEL SMALL PARTS	416 0800	PDM730 KEY WASHER	525 1801	PLATE MOUNTING NUT
360 0900	DA FH-7400 SEAL RING	416 0900	PDM730 DUST CAP	525 9069	ADAPTOR SCREW & NUT SET
360 1000	FH7400 RIGHT HAND CONE	416 1200	PDM730 SEAL	525 9073	REAR MECH ADAPTOR SCREW & NUT
360 1700	DA FH-7400 KEY WASHER 2.9MM	416 1300	PDM730 PLATE FXNG SCREW	528 1200	ADX SSTOP RING-A (7MM)
360 1900-9	FHMT60-QR AXLE FOR 126 OLDN	416 1500	PD1050 CONE	528 1801	D/XT PLATE MOUNTING NUT
360 1910	XTII HUB AXLE 141MM FHM732	416 9801	PDM730 PDL AXLE ASSEM RT	529 9806	RD6400 GUIDE PULLEY UNIT
360 1910-9	FH7402/M730 AXLE FOR 130MM OLN	416 9803	PDM730 PDL AXLE ASSEM LT	530 9801	RD6400 BRKT AXLE ASSEMBLY
360 1920	XTII HUB AXLE 135MM OLDN FHM732	416 9810	PDM730 TOE CLIP ADAPTOR	530 9802	RD6400 STROKE ADJ SCREW & PLATE
360 1920-9	FHM732 QR AXLE FOR 135MM OLDN	417 0200	PDM731 RT SIDE PLATE	530 9803	RD STROKE ADJUST SCREW PLT
360 9801	FH7400 AXLE ASSEMBLY	417 0300	PDM731 LT SIDE PLATE	530 9804	D/A RD7402 CBLE FIX BOLT UNIT
360 9820	FH7400 COMPLETE FW BODY	417 0400	PDM731 PLATE FXNG SCREW	530 9805	RD6400 OTR PLATER & STPR SCREW
368 9030	BRM730 FT MOUNTG BOSS FOR ATB	418 9801	PD7401 CLEAT ASSEM (PAIR)	534 2500-1	RD6207GS S. B. CAP
368 9040	BRM730 REAR MNTG BOSS FOR ATB	418 9802	PD7401 SHOE PLATES	537 1300	PULLEY BOLT
368 9801	105 COMPLETE HUB AXLE	418 9803	PD7401 SHOE PLATE FIXNG BOLTS	539 2201	RD1050 INNER PLATE
369 0300	FH1050-R RT HAND DUST CAP	418 9999	LOOK CLEAT INSERT	53A 0400	XTII INNER PLATE FOR SS TYPE
369 0400	FH1050-R RT HAND CONE	419 0600	PD6400 REAR PLATE RIGHT	53A 0500	XTII B TENSION SPRING SS TYPE
369 9801	FH1050-R COMP HUB AXLE 126 OLN	419 0700	PD6400 REAR PLATE LEFT	53A 9801	BRACKET AXLE ASSEM FOR SS TYPE
369 9802	FH1050-R COMPLETE F/W BODY	419 0900	PDMT60 CONE	53A 9802	XTII OUTER PLATE ASSM SGS TYPE
373 9002	FH/MX HUB NUT	419 1300	PD6400 REAR PLATE FXNG SCREW	53A 9805	RDM732 GUIDE PULLEY UNIT
375 0400	FHMT60-QR F/W BODY DUST CAP	419 9801	PD6400 PEDAL AXLE ASSEM RT	53A 9806	RDM732 TENSION PULLEY UNIT
375 0500	FHM730 INNER BODY	419 9803	PD6400 PEDAL AXLE ASSEM LT	53B 9801	XTII STROKE ADJ SCREWS & PLATE
375 0800	FHM730 OUTER BODY	419 9807	PD6400 CLEAT & FRONT PLATE	53B 9804	XTII OUTER PLATE ASSM SS TYPE
375 0900	FHM730 BODY FXNG RACE COVER	419 9808	PD6400 CLEAT FXNG PLATE & SCREW	53B 9807	XTII BRACKET AXLE ASSM SGS TYP
375 1600	FHM730 RT HAND CONE	419 9809	PD6400 FRONT & REAR REFLECTOR	541 0800-1	OLD 600 PLATE MOUNTING BOLT
375 1700	XT FH-M730-QR LOCK NUT	439 9001	PDM730 REFLECTOR UNIT	541 2701	REAR DERAILLEUR HANGER
375 1800	FHM730 LEFT HAND CONE	440 0300	PD7400 AXLE RIGHT	541 2705	REAR DERAILLEUR HANGER
375 1900	FHOM730 AXLE SPACER 4MM	440 0400	PD7400 AXLE LEFT	541 3500	SLEEVE
375 9061	HBM730 SKEWER NUT	440 0700	PD7400 CUP	541 9004-1	ADAPTOR BUSH
375 9801	FHM730 FHUB BODY	440 0800	PD7400 SEAL RING	541 9901	REAR MECH CABLE FNG BOLT UNIT
375 9802	FHM730 COMP QR AXLE ASSEMBLY	440 0900	PD7400 LOCK NUT	542 0500	ADJUSTING SCREW
375 9803	FHM730 COMP QCK REL ASSEMBLY 1	440 1000	PD7400 NEEDLE BEARING	542 9081	RD1050 STRK ADJUST SRW & PLATE
375 9804	FHM730 DUST CAP UNIT	440 1110	PD7400 FRONT PLATE	542 9801	RD1050 STROKE ADJUST SRW & PLATE
375 9805	FHM730 FREEWHEEL SMALL PARTS	440 1210	PD7400 RT SIDE REAR PLATE	545 2802	600EX RD PULLEY CAP
375 9809	FHM732 COMP QUICK REL 166MM	440 1310	PD7400 LT SIDE REAR PLATE	546 1400	EX RD INNER PLATE
375 9810	XTII COMP HUB AXLE 146MM	440 1410	PD7400 PLATE FIXING SCREW	546 1400-1	OUTER PLATE
375 9811	XTII COMP HUB AXLE 141MM	440 1700	PD7400 BALL STOPPER	546 1500	RD6207 INNER PLATE
376 9801	FHM730 COMP SS AXLE ASSEMBLY	440 9010	PD7400 TOE CLIP M (PR)	546 1600	RD6207 ADAPT MNTG BOLT
376 9802	FHMN730 SLEEVE LOCK NUT & SPCR	440 9011	PD7400 TOE CLIP L (PR)	546 2100	RD CABLE FIXING BOLT
377 0700	FH6400 RT HAND DUST CAP	440 9012	PD7400 TOE CLIP LL (PR)	546 2200	RD 6207 CABLE FIXING NUT
377 0800	FH6400 RT HAND DUST CAP	440 9805	PD7401 AXLE ASSEMBLY RIGHT	546 2900	PLATE STOPPER PIN
377 9801	HB6400-F COMP QCK REL ASSEMB	440 9807	PD7401 AXLE ASSEMBLY LEFT	546 9801	RD6207GS BRACKET AXLE ASSEMBLY
377 9803	FH6400 COMP QUICK RELEASE	452 9802	EXPANDER CONE ASSEMBLY	546 9802	RD6207 STROKE ADJ SCREW & PLATE
377 9804	FH6400 COMP AXLE ASSEM 6/7SPD	460 1300	PD6207 PEDAL AXLE RIGHT	546 9803	RD7401 CABLE FIX BOLT & PLATE
377 9805	FH6400 COMPLETE REAR AXLE	460 1400	PD6207 PEDAL AXLE LEFT	546 9804-2	RD6207 PLATE AXLE ASSEMBLY
377 9806	FH6400 RT HND CONE & SEAL RING	460 1600	PD6207 CONE	546 9806	RD6208 TENSION PULLEY UNIT
377 9807	FHMT60-QR LT HND CONE & SEAL RING	460 2100	PD6207 OUT SIDE SEAL RING	546 9807-1	RD6207 OUTER PLATE & STPR SCREW
377 9808	FH6400 COMP FREEWHEEL BODY	460 9820	PD6207 DUST SEAL & SEAL RING	546 9809	RD6207 BRACKET AXLE ASSEMBLY
378 9805	FHM732 LH CONE & SEAL RING	460 9823	PD6207 CAP & OUTSIDE SEAL RING	546 9812	RD6400 TENSION PULLEY UNIT
379 0400	FHMT60-NT FREEWHEEL OUTER BODY	461 9801	PD6207 TOE CLIP M SIZE	546 9814	RD6400 CABLE FXG BLT UNIT
379 0500	FHMT60-QR RT HAND DUST CAP	461 9802	PD6207 TOE CLIP L SIZE	54A 0800	D/A RD7402 INNER PLATE
379 0600	FHMT60-QR LT HAND DUST CAP	461 9803	PD6207 TOE CLIP LL SIZE	54A 9801	D/A BRACKET AXLE ASSEMBLY

54A 9803	D/A RD7402 CBLE ADJ BARREL UNIT	560 2400	RD7401 PULLEY BOLT	640 9801	SL6207 SHIFTER PARTS
54A D/A	RD7402 PLATE AXLE ASSEMBLY	560 5300	D/A RD PIVOT BOLT	640 9802	SL6207 REAR LEVER
54A 9805	D/A OUTER PLT & PLT STOP SCREW	560 5500	RD7401M OUTER PLATE	640 9803	SL6207 FRONT LEVER
54A 9806	D/A RD7402 PULLEY BOLTS (2 PCS)	560 5600	RD7401 INNER PLATE	640 9811	SL6207 CLAMP BAND UNIT BAND ON
54A 9808	RD7402 GUIDE PULLEY UNIT	560 9801	RD7401 CABLE ADJ BARREL&PLATE	640 9831	SL6207 LEVER FIXING BOLT
54A 9810	RD7402 TENSION PULLEY UNIT	560 9803	BRACKET AXLE BUSHING	643 2500	SL6208 REAR LEVER
550 9802	RDTM60 OUT PLT & STPR SCREW	560 9804	D/ACE G PULLEY	643 3310	SL6208 LEVER FXG BLT FOR RER
550 9804	RDTM60 BRACKET AXLE ASSEMBLY	560 9807-1	RD7401 PLATE AXLE ASSEMBLY	643 3330	SL7401 LEVER FIX BLT REAR M5
550 9805	RDTM60 CABLE ADJ BARREL UNIT	560 9809	D/A RD7402 STROKE ADJ SCREW	643 3400	SL6208 SPACER FOR REAR
551 2701	PULLEY CAP	560 9810	RD7400 CABLE ADJ BARREL & PLT	643 3600	SL6208 FRONT LEVER
554 2500-1	RD6207 S.B. CAP	560 9813	RD7401 STRK ADJ SCREW & PLATE	643 3810	SL6400 BZ LVR BOSS CVR M5
554 5600	P-TENSION SPRING	560 9820	RD7401 BRACKET AXLE ASSEMBLY	643 3810-1	SL7401/7400 LEVER BOSS COVER
556 0200	XTIIB TENSION SPRING SGS TYPE	560 9821	D/A BRACKET AXLE BUSHING UNIT	643 3811-1	SL1050 LEVER BOSS COVER
556 0900	RDMT60 INNER PLATE	560 9822	RD7401 OUTER PLATE & STOPPER	643 3850	SL6208 LEVER BOSS COVER FR RER
556 1300	RDMT60 P - TENSION SPRING	560 9825	RD7401 GUIDE PULLEY UNIT	643 3860	SL6208 LEVER BOSS COVER FR FRONT
556 9801	RDM730 BRACKET AXLE ASSEMBLY	560 9827	RD7401 TENSION PULLEY UNIT	643 4300	SL7401/7400AL FRM BOSS COVER
556 9802	RDMT30 OUTER PLATE W/MTNG SHAFT	563 5400	600EX RD P TENSION SPRING	643 4302	SL1050 LVR BOSS CVR F ALLY FRM
556 9803	RDM730 OUT PLATE & STOPPER SCREW	563 9834	CABLE CLAMP BOLT	643 4310	SL1050 CANNONDALE LEVER BOSS
567 9853-1	RD6207GS OUTER PLT & SCREW	563 9837	RD1050/DEORE GUIDE PULLEY UNIT	643 4400	SL6208 TEETHED WASHER
568 0500	ADAPTOR MOUNTING COLLAR	563 9839	RD1050/DEORE GUIDE PULLEY UNIT	643 4410	SL7401 TOOTHED WSHR FOR REAR
568 2900	RD B-TENSION SPRING	567 0700	CABLE FIXING PLATE	643 9801	SL6208 SIS UNIT
569 0800	RD6207 PULLEY BOLT	567 2202	RD6207GS INNER PLATE	643 9804	SL6208 LEVER FXG BOLT FR FRNT
569 2500	RDM700 PLATE AXLE			643 9805	SL6208 CLAMP BAND & LEVER BOSS
569 2600	D/A RD PLATE MOUNTING COLLAR A	581 5500	FD10050 CHAIN GUIDE	643 9809	SL6400 BND CLAMP BAND UNIT
569 3000	Da RD7402 PLATE STOPPER SCREW	581 5600	FD1050 RETURN SPRING	643 9812	SL1050 HSNIG UNIT F BRZD TP MNT
569 5400	RD1050 PULLEY BOLT	581 5900	FD1050 AXLE C	643 9814	SL1050 CLAMP BAND UNIT BAND
569 8200	RDM700 SLEEVE	581 6000	FD1050 AXLE D		
569 8300	D/XT RD P AXLE COL ST	581 6300	105 FD CLAMP NUT	643 9816	SL1050 TOP MNT CLAMP BAND UNIT
569 9807-1	RD6207GS PLATE AXLE ASSEMBLY	581 6400	FD1050 CLAMP BOLT	644 2001	SL6207 BRAZED ON AXLE COVER
569 9808	RDM700 GUIDE PULLEY UNIT	581 9801	FD6400 BZ STRKE ADJ PLT & SCW	65A 1200	SL1050 LVR FXNG BOLT FOR REAR
569 9858	RDM700 GUIDE PULLEY UNIT	581 9802	FD6400 STRK ADJ PLT & SCW(BND)	65A 2400	SL1050 LVR FXNG BOLT FOR FRONT
570 1400	FSMT60 CLAMP BOLT	581 9803	FD1050 CLAMP BOLT & NUT	65A 9801	SL105 SIS REAR LEVER UNIT
570 1600	FDMT60 STROKE ADJ PLATE	581 9804	FD1050 CABLE FXNG BOLT UNIT	65A 9802	SL1050 FRONT LEVER UNIT
570 1800	FDM730/MT60 EC CLAMP 34.9MM	581 9805	FD1050 CHN GD FXNG SCW & WSHR	65A 9803	SL1050 MR.5 BOSS CONVERS KIT
570 9801	FDM730 CLAMP BOLT AND NUT	582 3600	FD6207 STOP RING	66A 0100	SLM730 LEVER BRACKET FOR REAR
570 9802	FD6400 CABLE FXG PLATE & BLT	582 9021	CHAIN GUIDE BUSHING SET	66A 0200	SLM730 LEVER BRACKET FOR FRONT
570 9803	FDM730 ADJ PLATE & SCREW	582 9026	FRANT MECH CABLE FXG BOLT UNT	66A 0500	SLM760 LEVER CAP FOR REAR
570 9804	FDM730/MT60 EX TYPE FXNG BOLT	583 7101	FD6400 CHAIN GUIDE FXG SCREW	66A 0600	SLM760 LEVER CAP FOR FRONT
570 9805	XTII STROKE ADJ SCREWS EC-TYPE	583 7107	FDMT60 CHAIN GUIDE FXNG SCREW	66A 2900	SLM730 FIXING BOLT
571 9004	FD7400 CABLE FXNG BOLT & PLATE	584 2200	RD1050 STOP RING	66A 9801	SLM730 LEVER UNIT FOR REAR
578 9802	FD6207 ROLLER FXNG SCREW UNIT	585 3301	DA FD CLAMP BOLT	66A 9802	SLM730 LEVER UNIT FOR FRONT
578 0600	FD6207 CABLE STOPPER	587 6600	FD6400 BRAZE CLAMP BLT	66A 9803	SLM730 FXNG BOLT & SPRNG WSHR
578 0700	FD6207 SPRING COVER	58A 1300	FD6400 CLAMP BLT (BND)	66A 9804	SLM730 CABLE ADJ BARREL UNIT
578 0800	FD6207 LINK AXLE	590 4200	FDM730/MT60 EC CLAMP 28.6MM	66B 0300	SLMT60 CABLE ADJ CVR FOR REAR
579 2200	600 STROKE ADJUSTING PLATE	590 9801	FD6207STROKE ADJ SCREW & PLATE	66B 0400	SLMT60 CABLE ADJ CVR FOR FRONT
579 3200	FC,730/MT60 EX CLAMP 31.8MM	590 9810	FDMT60 STROKE ADJ SCREW	66B 9801	SLMT60 LEVER UNIT FOR REAR
579 9801	FD6207 STROKE ADJ SCREW & PLT	599 2000	RD6208 INNER PLATE	66B 9802	SLMT60 LEVER UNIT FOR FRONT
579 9802	FD6207 BRACKET BODY FR BRAZEON	600 1321-1	INNER CABLE 1320MM	66B 9803	SLMT60 CABLE ADJ BARREL UNIT
57R 9801	XTII STROKE ADJ PLATE & SCREWS	600 1321-2	INNER CABLE 132MM FOR SHIFTER	66B 9804	SLMT60 LEVER FXNG BOLT & WSHR
580 0800	FD7400 RETURN SPRING	603 7274-8	SL7401 REAR MECH OUTER CASING	66B 9805	SLMT60 BRACKET FXNG BLT & NUT
580 1700	FD7500 CLAMP BOLT	608 9900-7	POSITRON COMPLETE CABLE	66C 1000	SL6400 LVR FXG BLT RR M5
580 1800	D/A FD-7400 STROKE ADJ SCREW	616 1400	FULCRUM SLEEVE	66C 1500	SL6400 ADAPTOR FOR 6 SPD
580 2100	D/A FD-7400 LINK FIXING BOLT	620 4100	BB TRPL CABLE GUIDE	66C 1600	SL6400 FRICTION CAP
580 2200	FD7400 SPACER FOR LINK AXLE B	620 4110	SLM730 TRIPLE TUNNEL GUIDE	66C 1700	SL6400 INNER CVR
580 3100	FD7400 RADIUS WASHER BRAZE ON	620 4200	CABLE LEAD (ROAD) 40MM DIA	66C 9801	SL6400 SIS RR LVR UNIT
580 3200	FD7400 BRAZE ON BRKT SMFD74	623 7400	SL6400 TOOTHED WSHR FOR FT	66C 9802	SL6400 LVR FXNG BLT FR M5
580 3210	FD1050 BRZD ON BRKT F ALLY FRM	62F 0700	EXAGE SL BRACKET RR	66C 9804	SL6400 FT LVR UNIT
580 3300	FD7400 CLAMP BOLT FOR BRAZE ON	62F 0800	EXAGE LEVER BRACKET FOR FRONT	66W 0700	XT11 LEVER CAP FOR REAR SLM732
580 9802	D/A FD BRACKET BODY FOR BRZ T	62F 1000	SLM450 BRKT ADAPT FOR FT	66W 0800	XT11 LEVER CAP, FRONT SLM732
580 9803	FD7400 STROKE ADJ SCREW & PLTE	62F 2300	SLM350 LEVER FIXING BOLT	66Y 0100	XT11 LEVER BRACKET FOR REAR
580 9804	FD7400 STRK ADJ SCREW BRAZE ON	62F 9801	BRKT FXG SCREW & SPRING WSHR	66Y 0200	XT11 LEVER BRACKET FOR FRONT
556 9805	RDM730 GUIDE PULLEY UNIT	62F 9901	EXAGE SL ADAPTOR KIT	66Y 9801	XT11 CAP UNIT FOR REAR SLM732
556 9806	RDM730 TENSION PULLEY UNIT	62G 0300	SLM350 BRACKET COVER (REAR)	66Y 9802	XT11 SIS REAR LEVER UNIT
556 9807	RDM730 CABLE ADJ BARREL UNIT	62G 0400	SLM350 BRACKET COVER (FRONT)	66Y 9803	XT11 CAP UNIT FOR FRONT SLM732
557 0600	105 RD CABLE FIXING NUT	62G 9803	M351 SIS LEVER UNIT (REAR)	66Y 9804	XT11 FRONT LEVER UNIT SLM732
557 1000	RD6400 P TENSION SPRING	62G 9804	M351 FRONT LEVER UNIT	67A 0600	D/A SL7402 SPACER FOR REAR
557 1300	RD6400 PLATE EXG BLT	62G 9805	SLM350 BRACKET FXG SCREW/WSHR	67A 9801	SL7402 B SPD SIS UNIT
557 1500	RDM730/M732 PLATE STOPPER SCRW	62N 9801	SM-M250 SIS REAR LEVER UNIT	67A 9802	D/A SL7402 FRONT LEVER UNIT
557 9801	OUTER PLATE W/MOUNTING SHAFT	62N 9802	SL-M250 FRONT LEVER UNIT	680 0100	SL7400 REAR LEVER
557 9802	RD1050 OTR PLATE & STPPR SCREW	62P 0300	SLM350 BRACKET ADAPTOR (REAR)	680 0110	SL7401 REAR LEVER
558 9801	FDMT60 CABLE FXNG BOLT UNIT	62P 0400	SLM350 BRACKET ADAPTOR (FRONT)	680 0200	SL7400 FRONT LEVER
559 0700	600EX RD PLATE MNT BLT	62P 0910	EXAGE M453 BRACKET FXG SCREW	680 0500	D/A SL FRICTION CAP
559 0900	600EX RD PLATE MNT COL	62P 1200	EXAGE M453 LEVER FIDING BOLT	680 0510	SL6208 FRICTION CAP
559 1000	600EX RD P SEAL RING	62P 9802	M451 SIS LEVER UNIT (REAR)	680 0600	SL6208 FRICTION BUSHING
559 1800	600EX RD OUTER PLATE	62P 9803	M451 SIS LEVER UNIT (FRONT)	680 0700	SL6208 SPACER FOR FRONT
559 1900	600EX RD PLATE STOPPER SCREW	62r 0300	SLM351 BRACKET BAND FOR REAR	680 0710	SL7401 SPACER FOR REAR LEVER
559 2000	RD6400 INNER PLATE	62R 0400	SLM351 BRACKET BAND FOR FRONT	680 0900	SL7401/7400 BRAZED ON BOSS M5
559 2300	GUIDE PULLEY BUSHING	62U 9801	M452 FRONT LEVER UNIT		
559 9801	RD6208 BRACKET AXLE ASSEMBLY	62U 9802	M452 SIS LEVER UNIT (REAR)	680 3110	SL7401 STOPPER WASHER
559 9802	RD6400 CABLE ADJ BARREL UNIT	62V 9801	EXAGE M453 SIS LEVER UNIT REAR	680 4100	SL7401/7400 FERRULE
559 9803	RDM730 STROKE ADJ SCREW&PLATE	62V 9802	EXAGE M453 FRONT LEVER UNIT	680 6400	SL7401 FRICTION CAP
559 9804	RD6208 CABLE FXNG BOLT UNIT	62V 9803	EXAGE M453 CAP UNIT FOR REAR	680 6410	D/A SL7402 FRICTION CAP
559 9805	RD6208 PLATE AXLE ASSEMBLY	62V 9804	EXAGE M453 CAP UNIT FOR FRONT	680 9805	D/A SL INDEX UNIT SIS
559 9807	RD6208 OUTER PLT & STPR SCREW	636 9828	SL7400 BOSS COVER & SEAL RING	680 9811	D/A SL 7400 CLAMP BOLT
559 9808	RD6208 GUIDE PULLEY UNIT	639 0601	SLM700 LEVER BAND	680 9812	SL7400 FRICTION UNIT
560 0600	D/A RD7402 STROKE ADJ PLATE	639 9803	SLM700 LEVER BAND	680 9822	SL7400 SIS UNIT
560 1200	D/A RD PLATE MOUNTING BOLT	640 1300	SL7401 WASHER C	680 9824	SL7400 CLAMP & BAND & LVR BOS
560 1500	D/A RD P. TENSION SPRING	640 1400	SL6207 CAP	680 9850	SL7401 CLAMP BAND UNIT
560 1510	D/A RD7402 P-TENSION SPRING	640 4GY00	ULTEGRA SIS OUTER GEAR CABLE	680 9851	SL7401 SIS UNIT

680 9852 SL7401 FRONT LEVER
680 9853 DA SL FRONT LEVER UNIT
680 9854 SL7401 FRONT LEVER FXNG BOLT
681 0800 SL6207 LEVER AXLE FOR BAND TYP
681 3800 SL7400 CLAMP BAND NUT
681 4100 SL7400 LEVER BOSS WASHER A
681 4500 SL6207 BRAZED ON AXLE
681 6200 SL1050 BRZD ON BOSS FR TOP MNT
681 6400 SL7400 CLAMP BAND FXNG BOLT
681 9811 SL6208 CLAMP SCREW & NUT
682 9001 LEVER FIXING BOLT
683 9001-1 D/A SL LEVER FIX BOLT
713 0300 HPM730 LOCK WSHR BS DIMENSION
713 0400 HPM730 WAVE WASHER
713 0600 HPM730 COVER
713 0810 HPM730 UPR HEAD CUP BS DIMEN
713 1100 HPM730 DUST SEAL
713 9801 HPM730 LOCK NUT BS DIMENSION
713 9803 HPM730 UPR HEAD CONE W/COVER
713 9805 HPM730 LWR HEAD CUP W/SEAL
713 9807 HPM730 LWR HEAD CONE W/SEAL
713 9808 HPM730 LWR HEAD CONE 26.4 W/DS
713 9809 HPM730 DUST SEAL FOR HEAD TUBE
714 0210 HPMT60 UPR HEAD CUP BS DIMEN

714 0310 HPMT60 LWR HEAD CUP BS DIMEN
714 9801 HPMT60 UPR HEAD CONE & COVER
714 9803 HPMT60 DUST SEAL FOR HEAD TUBE
715 0200 HPMT60 LOCK WSHR BS DIMENSION
715 9811 HPMT60 LOCK NUT UNIT BS THREAD
716 0510 HP6400 UPR CONE BS DIMENSION
716 0711 HP6400 LWR CONE BS DIMENSION
716 0800 HP6400 DUST SEAL B
716 9803 UPPER HEAD CUP & SEAL ENG THRD
716 9807 HP6400 LWR CUP & SEAL BS DIMEN
716 9811 HP6400 LOCK NUT BS THREAD
717 0800 HPM730 SEAL RING
717 9803 HP6400 UPR CUP & SEAL BS DIMEN
718 0100 HP1050 LOCK NUT BS DIMENSION

718 0200 HP1050 UPR HEAD CUP BS DIMENS
718 0410 HP1050 LWR HEAD CUP BS DIMENS
718 0600 HP1050 DUST SEAL
718 9801 HP1050 BALL RETAINER 5/32
718 9802 HP1050 UPR HEAD CONE & SEAL BS
718 9805 HP1050 LWR HEAD CONE & SEAL BS
718 9806 HPM730 BALL RETAINER 5/32
719 0100 HP7600 LOCK NUT BS THREAD
719 0410 HP7600 UPR CONE BS DIMEN
719 0600 HP7600 LWR CONE BS DIMEN
719 1000 HP7600 DUST SEAL
719 1100 HP7600 STEM SEAL
719 1200 HP7600 SPACER
719 1300 HP1050 LOCK WSHR OF BS DIMEN
719 9801 HP7600 UPR CUP BS DIMEN
719 9805 HP7600 BALL RETAINER 5/32
719 9806 HP7600 LWR CUP BS DIMEN
723 5100 HP6207 LOCK NUT ENGLISH & JIS
723 5110 HP6207 LOCK WSHR ENG & JIS
723 5600 HP6200 DUST SEA
723 9009 HP7400/6207 BALL RETAINER 3/16
723 9851 HP6207 UPR HEAD CUP ENGLISH
723 9853 HP6207 LWR HEAD CUP ENGLISH
723 9861 HP6207 UPR HEAD CONE ENGLISH
723 9862 HP6207 LWR HEAD CONE 26.4MM
727 0200 HP7400 LK WSHR BS DIMEN
727 1100 HP7400 O RING
727 9801 HP7400 UPR CUP BS DIMEN
727 9810 HP7400 UPR CONE & SEAL BS DIMN
727 9814 HP7400 LOWER CUP BS DIMEN
727 9819 HP7400 LWR CONE & SEAL BS DIMN
727 9821 HP7400 L/NUT & O-RING BS THRD
727 9842 HP7400 BALL RETAINER (2 PCS)
76LH 1750 D/A LH CRANK 175MM TRACK
811 6030 BR1050 RADIUS BUSHING FOR FRT
811 6040 BR1050 RADIUS BUSHING FOR RR
815 9803 AX BRAKE BLOCKS
81b 9801 CABLE FIXING BOLT & PLATE
81C 1000 BRMT61 ADJUSTING WASHER
81C 9801 BRMT61 SHOE FXG NUT UNIT
81K 0300 XT11 SPRING HOLDER FOR ANC ARM
81K 0400 XT11 SPRING HLDER FOR HOOKG ARM
81K 0500 XT11 BOSS CAP BRM733
81K 0800 XT11 SPRING ADJ SPACER BRM733
81N 9804 M452LX WIRE FIXING BOLT UNIT
82A 0300 BR1050 PIVOT BOLT FOR FRONT
82A 0400 BR1050 PIVOT BOLT FOR REAR
82A 0500 BR1050 PIVOT NUT
82A 0700 BR 1050 BEARING WASHERS

82A 0800 BR1050 ARM RETURN SPRING 49MM

82A 0810 BR1050 ARM RETURN SPRING 57MM
82A 1100 BR1050 CABLE ADJ BLT LOCK NUT

82A 2300 BR1050 SLEEVE
82A 9805 BR1050 PIVOT BUSH
82A 9806 BR1050 PIVOT BSUHING & WASHER
82A 9807 BR1050 CABLE ADJUSTING BOLT UN
82A 9808 BR1050 CABLE FXNG BOLT & PLATE
82A 9811 BR1050 RECESD PVT BLT&NT FRNT
82A 9812 BR1050 PVT BLT&NT REAR
82A 9901 BR1050 BRAKE SHOE ASSEMBLY
831 0501 BLM730 BUSHING
831 9004-1 MISC QR HANGER FRONT
831 9004-2 BRAKE FRONT CENTREPULL HANGER
831 9010 BRMT60 CABLE CARRIER UNIT
831 9018-1 MIS QR HANGER REAR
831 9021 MISC BR CENTRE PULL YOKE
831 9078 BRAKE FRONT CENTREPULL HANGER
831 9079 BRAKE REAR CENTREPULL HANGER
83A 0400 BRM730 ADJUSTING WASHER
83A 0401 DEORE BR BLK ADJ WSH
83A 0500 SPHERICAL WASHER
83A 0600 XT BRAKE SHOE FIX BT
83A 1600 DEORE XT CANT STRADDLE WIRE
83A 1700 CLAMP BOLT
83A 1900 BRM730 ADJUST SRW FOR SPRING
83A 1910 BRMT60 ADJ SCREW FOR SPRING
83A 2000 XT BR BLOCK ADJ PLATE
83A 9040 BRM730 ANCHOR LINK
83A 9050 BRM730 HOOKING LINK
83A 9801 BRM730 HKNG LNK FXNG BLT UNIT
83A 9802 BRM730 BRK SHO FXNG BLT UNIT
83A 9803 ANCHOR KNK FXNG BLT UN
83A 9804 WIRE FIXING BOLT & PLATE
83A 9805 BRM730 CABLE CARRIER UNIT
83A 9806 BRM730 BRAKE SHOE
83B 0200 BRMT60 STRADDLE WIRE
83B 9801 BRMT60 ANCHOR LINK
83B 9802 BRMT60 HOOKING LINK
83B 9804 BRMT60 ANCHOR LNK BLT FXNG UN
83B 9805 HOOKING LNK FXNG BLT UT
83B 9806 BRMT60 FXNG BOLT AND PLATE
83B 9807 BRMT60 BRK SHOE FXNG BOLT UNIT
83B 9808 BRMT60 BRAKE SHOE
83C 0400 BRMT61 SPRING HOLDER FR BLT TP
83C 0500 BRMT61 BOSS CAP
83C 0700 BRM731 RTN SPRNG FR ANCHOR ARM
83C 0800 BRM731 RTN SPRING FR HKNG ARM
83C 0900 BRM731 SPRING BUSH
83C 1000 BRM731 SPRING ADJ SPACER
83C 1900 BRM731 CENTRE WIRE (2/380MM)
83C 2000 XT U BAR CABLE FIX NUT
83C 2510 BRM731 MOUNTING BOSS NO.082
83C 2560 BRM731 SPIGGOT BO 114
83C 2570 BRMT61 MOUNTING BOSS
83C 2640 BRM731 MNTNG BOSS NO.82 W/HOLE
83C 2650 MOUNTING SHAFT
83C 2660 BRMT61 MOUNTING BOSS W/HOLE
83C 2700 XT BRAKE MOUNTING SHAFT
83C 9801 DEORE XT BOSS UNIT NO 082
83C 9807 BRM731 LT ALLOY MNTG BOSS UNIT
83C 9808 BRMT61 MNTG BOSS UNIT (ALLOY91
83C 9811 BRM731 HOOKING ARM
83C 9812 BRM731 ARM EXNG BOLT
83C 9813 BRM731 BRAKE SHOE
83C 9814 BRM731 SHOE FXNG NUT UNIT
83C 9815 BRM731 ANCHOR ARM
83C 9816 BRM731 WIRE FXNG BOLT UNIT
83C 9817 BRM731 CABLE CARRIER UNIT
83C 9901 BRMT61 SHARK TOOTH
83D 0100 BRMT61 ARM FIXING BOLT
83D 0200 BRMT61 SPACER
83D 0210 XT11 BOOSTER SPACER BRM733
83D 9801 BRMT61 HOOKING ARM
83D 9802 BRMT61 ANCHOR ARM
83D 9804 BRMT61 WIRE FXNG BOLT UNIT
83D 9807 BRM731 ARM FXNG NUT UNIT
83E 0400 BR6400 SUNKEN PIVOT FOR FT
83E 0500 BR6400 SUNKEN PIVOT FOR RR
83E 0800 BR6400 ARM RET SPRING (49M)
83E 0810 BR6400 ARM RET SPRING (57MM)
83E 0900 BR6400 BR6400 SLEEVE
83E 2700 BR6400 ARM BUSHING
83E 9801 BR6400 BRAKE SHOE ASSEM (4PCS)
83E 9803 CABLE FXG BLT QR ASSM
83E 9807 D/A QK LEVER FIX BOLT & WASHER
83E 9809 BR6400 PIVOT BSHG & WASHER

83E 9810 BR6400 PIVOT NUT & STPR BLT
83E 9813 BR6400 PVT NUT & STPR BLT (57M)
83E 9820 BR6400 SHOE FXG WSHR & COLLAR
83F 9802 BR6400 CABLE ADKG BLT UNIT
83W 0210 BRM7300 SEAT STAY BOOSTER
83W 0500 XT11 ECCENTRIC ADJUSTER BRM733
83W 0600 XT11 ARM FXNG BOLT BRM733
83W 0700 BRM7300 U BRAKE SPRNG ANC LNK
83W 0800 BRM7300 SLR U BRAKE HOOK SPRNG
83W 9802 XT11 BOOSTER ARM & PROTECTOR
83W 9807 XT11 WIRE FIXING BOLT BRM733
83Y 9801 BRM730/2 ANCHOR LINK FIX BOLT
83Y 9802 XT11 HOOK LNK FXNG BOLT UNIT
83Y 9803 XT11 ANCHOR LINK

843 9102 BL7400/7401 CLAMP BAND 23.8MM
843 9104 BL7400/7401 CLAMP BAND 24.2MM
847 3100 BL6207/8 LEVER BRACKET
847 3400 EX BL6207 PULL UP STUD
847 3800 BR7400 FRAME PROTECTOR
847 6400 BL6207/8 PULL UP STUD
847 9901 BL1050 CLAMP BOLT & WASHER
847 8803 BL6207/8 BRACKET COVERS BLACK
84A 0100 D/A BR7402 BRAKE ARM 'Y' SHAPE
84A 0200 D/A BR7402 BRAKE ARM 'C' SHAPE
84A 0500 BR7402 SLR SPRING
84A 0700 D/A BR7402 ADJ BOLT BUSHING
84A 9801 D/A PIVOT BOLT (FRONT) & NUT
84A 9802 D/A PIVOT BOLT (REAR) & NUT
84A 9804 D/A BR7402 CABLE ADJ BOLT UNIT
84A 9805 D/A CABLE FIXING BOLT & PLATE
84A 9806 D/A CABLE FIX BOLT ASEM W/QR
853 4100 BR6207/8 SLEEVE FOR SPRING
854 9841 BR1050 LOCK NUT
855 1000 BR6207/8 SPACER
855 2600 BR6207/8 RADIUS BUSHING FR RER
855 2700 BR6207/8 RDUUS BUSHING FOR FRONT
855 7501 BR6207/8 SUNKEN PIVOT NUT
855 7511 BR6400 SUNKEN PIVOT NUT
857 9812 BR6400 LOCK NUT
858 0200 600EX BRKE ARM Y 57MM
858 1200 600EX BR CALPR C 57MM
858 2100 BR6207/8 PIVOT BOLT FOR FRONT
858 2200 BR6207/8 FRNT SUNKN PIVOT BOLT
858 2500 BR6207/8 PIVOT BOLT FOR REAR
858 2600 BR8607/8 RER SUNKEN PVT BOLT
858 3001 BR6400 ARM SPACER
858 3101 BR6400 ARM SPACER
858 3200 BR6207/8 PIVOT NUT
858 3900 EX BR 6207 CAP NUT
858 5000 BR6400 WSHR FOR FT
858 5010 BR6400 WASHER
858 6100 BR6207/8 ARM RETURN SPRING
858 6500 BR6207/8 RIGHT TYRE GUIDE
858 6510 BR6207/8 LEFT TYRE GUIDE
858 9808 BR6207/8 CABLE FXNG BOLT&PLATE
858 9850 BR6207/8 LT BRAKE SHOE ASSEM
858 9851 BR6207/8 RT BRAKE SHOE ASSEM
858 9852 BR6287/8 CABLE FXG BLT ASSEM
858 9853 BR6207/8 CABLE ADJ BOLT UNIT

859 2500 BR1050 WASHER
85J 9801 BLM351/451 BRAKE LEVER COVERS
85J 9802 M450 CABLE ADJ BOLT UNIT
85J 9803 M451 CABLE ADJ BOLT UNIT
85J 9808 EXAGE M250 CABLE ADJ BOLT UNIT
85U 9801 BLA251 EXT LEVER SMALL PARTS
861 5600 D XT SPRING BUSH
861 5700 ADJUSTER
861 6000 XT BR TOE IN ADJ WASHER
861 6300 XT BR WAVE WASHER
861 9004 BRM730 FRONT MOUNTING BOSS
861 9004-1 BRMT60 FRONT MOUNTING BOSS
861 9005 BRM730 REAR MOUNTING BOSS
861 9005-1 BRMT60 REAR MNTNG BOSS
862 1300 6700EX BR KEY CLAMP BLT
862 1401 CB6 CENTRE WIRE
863 2701 BR1050 LOCK NUT FOR PIVOT BOLT
868 9030 BRM450 LINK FIXING WASHER
868 9030-1 BRMT60 FRNT MNTNG BOSS FOR MTB
868 9040 FRONT MOUNTING SHAFT FOR MTB
868 9040-1 BRMT60 REAR MNTG BOSS FOR MTB
868 9801 ANCHOR LINK FIXING BOLT
868 9805 105 CALIPER PIV BUSH
868 9806 WIRE FIXING BOLT
86A 9801 BL1050 LEVER HOODS
86B 0300 BL1051 BRACKET CAP
86B 1400 D/A BL7402 LEVER AXLE FIX BLT
86B 2200 BL6209 OUTER CABLE GUIDE

86B 9001 BL6401/2 OUTER CABLE GUIDE
86B 9801 BL1051 WIRE HOOK AND BUSHING
86B 9802 BL1051 LEVER HOODS BLACK
86B 9803 BL1051 LEVER HOODS WHITE
870 0300 PIVOT BOLT FRONT
870 0400 D/A BR PIVOT R RECS
870 0500 BR7400 LOCK NUT
870 0600 BR7400 LOCK NUT W/HEX HOLE
870 0700 BR7400 NUT CAP
870 0800 D/A BRAKE WASHER
870 1000 BR7400 ARM WASHER
870 1100 BR7400 ARM SPACER
870 1400 BR7400 PIVOT WASHER
870 1500 BR7400 ARM RETURN SPRING
870 2000 D/A BR O-SHAPE RING
870 2100 BR7400 ADJUST PIVOT BUSHING
870 3010 BR7400 BRACKET COVER (2 PCS)
870 9801 BRAKE ARM

870 9801-1 BR7400 BRAKE ARM 'Y' SHAPE
870 9811 BR7400 BRAKE ARM 'C' SHAPE
870 9821-1 BR7400 RT BR/SHOE ASSEMBLY
870 9831-1 BR7400 LT BR/SHOE ASSEMBLY
870 9841 BR7400 PIVOT BUSHING
870 9842 BR7400 CABLE ADJ BOLT UNIT
870 9843 CABLE ADJUSTING BOLT
870 9845 BR7400 CABLE FIX ASSEM & QR
870 9847 D/A LOCK NUT W/HEX HOLE & CAP
870 9848 BR7400 CABLE FIX BOLT & PLATE
870 9851 D/A BR7402 PIVOT BUSHING ASSEM
870 9852 BR7400 FT PIVOT BOLT UNIT
870 9852-1 BR7400 FRNT PIVOT BUT TYRE
870 9853 BR7400 REAR PIVOT BOLT UNIT
870 9853-1 BR7400 REAR PIVOT NUT TYPE
870 9902 D/A BR NEW BRAKE SHOE
877 0300 BL7401 LEVER RIGHT
877 0600 BL7401 LEVER LEFT
877 0700 BL7401 LEVER AXLE BUSHING
877 1100 BL7401 OUTER CABLE JOINT
877 9801 BL7401 RT & LT BRKT COVER
877 9802 BL7401 RT & LT BRKT CVR WHITE
877 9803 BL7401 RT & LT BRKT CVR BROWN
877 9804 BL7401 CLAMP BOLT
878 0700 BL6209 LEVER
878 0900 BL6209 LEVER AXLE BUSHING
878 1000 BL6209 AXLE SCREW
878 2000 BL7401 OUTER CABLE GUIDE
878 2100 BL7401 OUTER CAP
878 9801 BL7401 LVR AXLE & FXNG BLT
878 9802 BL7401 WIRE HK & BSHNG
878 9803 BL6209 RT & LT BRACKET CVR BL
878 9804 BL6209 OUTER CABLE GUIDE
878 9807 BL6209 RT & LT BRACKET COVER
879 0300 BL6207/8 BUSHING
879 9801 BL6207/8 BRACKET COVER BROWN
879 9802 BL6207/8 LEVER ASSEMBLY SLVR
87A 0500 BLM730 LEVER AXLE BOLT
87A 0510 LEVER AXLE BOLT
87A 0600 BLM730 CLAMP BOLT
87A 0610 BLMT60 CLAMP BOLT
87A 1400 BLM730 LEVER AXLE NUT
87A 1410 BLMT60 LEVER AXLE NUT
87A 2100 BLM730 WIRE END ADAPTOR
87A 9802 BLM730 CABLE ADJ BOLT & NUT
87A 9803 BLM730 LEVER COVER
87A 9831 BLMT60 CABLE ADJ BOLT & NUT
87C 0200 BL6400 BRACKET CAP
87C 9801 BL6400 BRKT COVERS
87C 9810 BL6400 CLAMP BLT & WASHER

87E 0300 BL6401/2 BRKT CAP
87E 9801 BL6401/2 WIRE HOOK UNIT
87E 9810 BL6401/2 BRKT CVR BLK
87E 9811 BL6401/2 BRKT CVR WHITE
87U 9804 BLMT60/2/3 CABLE ADJ BOLT & NUT
87W 9801 XT11 LEFT LEVER (LONG) BLM732
87W 9802 XT11 RIGHT LEVER (LONG) BLM732
87W 9803 XT11 LEVER AXLE BOLT UNIT
87W 9804 BLM730/2/3/ BRACKET COVER
87W 9805 XT11 SPRING PISTON UNIT BLM732
87Y 9801 XT11 LEFT LEVER (SHORT) BLM732
87Y 9802 XT11 RIGHT LEVER (SHT) BLM732
883 9002 BL6400 CLAMP BAND
884 0100 BL7400 LEVER BRACKET
884 0300 BL7400 LEVER HOOD RT
884 0400 BL7400 LVR HOOD LT
884 0500 BL7400 LEVER AXLE
884 0600 BL7400 BUSHING
884 0900 BL7400 LEVER AXLE FXNG BOLT

884 1200 BL7400 CLAMP WASHER
884 9801 BL7400 LEVER ASSEMBLY
884 9810 BL7400 CLAMP BOLT
884 9902 BL7400 NTSKR LEVER HDS BLACK
886 9820 M452 GRIP ADJ SCREW & SPRING
889 1901 CABLE ADJUSTING NUT
88A 0100 D/A BL7402 RIGHT BRACKET
88A 0200 D/A BL7402 LEFT BRACKET
88A 0300 D/A BL7402 RIGHT BRACKET CAP
88A 0400 D/A BL7402 LEFT BRACKET CAP
88A 9801 D/A BL7402 R&L BRACKET CVS WHT
88A 9802 D/A BL7402 R&L BRACKET CVS BLK
88A 9811 D/A BL7402 LVR AXLE & BUSHING
88A 9812 D/A BL7402 WIRE HOOK UNIT
88A 9813 D/A BL7402 CLAMP BOLT
88A 9814 D/A BL7402 RETURN SPRING
88A 9815 D/A BL7402 RIGHT LEVER
88A 9816 D/A BL7402 LEFT LEVER
893 0800 BLM730 OUTER CAP
893 0900 BLMT60 WIRE END ADAPTOR
CAM733 RR02 XT INNER BRAKE CABLE REAR

108 1420 ULT CS SPKT 7 2ND W/SPCR 14T
108 1520 ULT CS SPKT 7 2ND W/SPCR 15T
108 1620 ULT CS SPKT 7 2ND W/SPCR 16T
240 9822 FH7402 COMP Q/RELEASE 161MM
216 9835 FH7402 NUT FOR SCREW
354 9806 FH7402 COMPLETE HUB AXLE 141MM
354 1000 FH7402 R/H LOCK NUT 4.6MM
354 1310 FH7402 WASHER 1.2MM
377 1000 FH7402 SEAL RING
354 1200 FH7402 L/H LOCK NUT 9.2MM
354 9803 FH7402 L/H DUST CAP
52A 9801 RDMT62 CABLE ADJ BARREL UNIT
53B 9802 RDMT62 OUTER PLACE ASSEM (SGS)
53B 9809 RDMT62 GUIDE PULLEY UNIT
53B 9810 RDMT62 TENSION PULLEY UNIT
66W 0100 SLMT62 LEVER BRACKET FOR REAR
66W 0200 SLMT62 LEVER BRACKET FOR FRONT
66W 9802 SLMT62 SIS REAR LEVER UNIT
66W 9804 SLMT62 FRONT LEVER UNIT
66W 0300 SLMT62 BRACKET COVER FOR REAR
66W 0400 SLMT62 BRACKET COVER FOR FRONT
66W 9801 SLMT62 CAP UNIT FOR REAR
66W 9803 SLMT62 CAP UNIT FOR FRONT
83V 9801 BRMT62 ANCHOR LINK FXG BLT UNT
83V 0300 BRMT62 RET SPRG FOR ANCH LINK
83V 0500 BRMT62 SPRG COVER FOR ANCH LINK
83V 9806 BRMT62 HOOK LINK FXG BLT UNIT
83V 0400 BRMT62 RET SPRG FXG BLT UNIT
83V 0600 BRMT62 SPRG COVER FOR HOOK LNK
83V 9804 BRMT62 BRAKE SHOE FIXING
81M 9803 BRMT63 ARM FIXING BOLT & WASHR
83D 0201 BRMT63 BOOSTER SPACER

32C 9804 FHMT62 COMP Q/R 135MM OLND
32C 9802 FHMT62 COMP HUB AXLE 130MM OLN
32C 9803 FHMT62 COMP HUB AXLE 135MM OLN
32C 0300 FHMT62 LEFT HAND DUST CAP
87U 9803 BLMT62/3 LEVER AXLE UNIT
87U 9802 BLMT62/3 RIGHT LEVER (LONG)
87U 9801 BLMT62/3 LEFT LEVER (LONG)
87V 9802 BLMT62/3 RIGHT LEVER (SHORT)
87V 9802 BLMR602/3 LEFT LEVER (SHORT)
31A 9801 FH1051 COMP HUB AXLE 6SPD 137M
31A 9802 FL1051 COMP HUB AXLE 7SPD 137M
299 0500 FH1051 SEAL RING
381 0400 FH1051 RIGHT HAND DUST CAP
31A 0200 FH1051 LEFT HAND DUST CAP
65A 9804 SL1051 SIS REAR LEVER UNIT
65A 9805 SL1051 FRONT LEVER UNIT
530 1600 RD1051 P-TENSION SPRING
52A 9802 RD1051 OTR PLT/SNT SHFT/SCREW
539 2202 RD1051 INNER PLATE
408 0301 PD1051 PEDAL AXLE (RIGHT)
408 0401 PD1051 PEDAL AXLE (LEFT)
408 0700 PD1051 LOCK NUT
408 0600 PD1051 CUP
415 1120 PD1051 REAR PLATE FIXING SCREW
413 1120 PD1051 RIGHT SIDE REAR PLATE
413 0400 PD1051 LEFT SIDE REAR PLATE
419 0500 PD1051 FRONT PLATE
413 1100 PD1051 TOE CLIPS (M SIZE)
413 1200 PD1051 TOE CLIPS (L SIZE)
413 1300 PD1051 TOE CLIPS (LL SIZE)
419 9812 PD1051 F+R REFLECTOR UNIT (PR)
51A 9803 RDA350/450 BRACKET AXLE ASSEM
51B 9805 REA452LX BRACKET AXLE ASSEM SGS
556 2501 RDA250/452LX B TENSION AD BOLT

51G 9804 RDA250 CABLE ADJ BARREL UNIT
560 9828 RDA452LX STROKE ADJ SCREW
563 9804 RDA350/450 STROLE ADJ SCREW
51G 9803 RDA250 STROKE ADJ SCREW
563 9841 RDA350/AA450 CABLE FXG BOLT UN
51G 9805 RDA250 CABLE FIXING BOLT UNIT
570 1401 FDA250/452LX CLAMP BOLT M5X16
57D 9801 FDA250/452LX STROKE ADJ SCREWS
576 9802 FDA250 CABLE FXG BOLT & NUT
51B 9806 RD350/452 BRCKT AXLE ASSEM SGS
51S 9803 RDM452 STROKE ADJ SCREW
594 9801 FDM250 CABLE FIXING BOLT
62P 1700 SLM451/452/453 R WASHER
62P 1000 SLM451/2/3 LEVER BRACKET REAR
62P 1100 SLM451/2/3/ LEVER BRACKET FRNT
62G 9801 SLM350 SIS REAR LEVER UNIT
62G 9802 SLM350 SIS FRONT LEVER UNIT
62F 9802 SLM450 SIS REAR LEVER UNIT
62F 9803 SLM450 SIS FRONT LEVER UNIT
62F 1100 SLM450 BRACKET COVER FOR REAR
62F 1200 SLM450 BRACKET COVER FOR FRNT
62G 0700 SLM350/351 LEVER BRACKET REAR
62G 0800 SLM350/351 LEVER BRACKET FRNT
85P 9804 BLA250/350 CLAMP BOLT & WASHER
849 9110 BLA250/350/450 CLAMP BAND
85P 0510 BLA250/350 BRACKET CAP RIGHT
85P 0610 BLA250/350 BRACKET CAP LEFT
87C 0210 BLA450 BRACKET CAP
85P 9802 BLA250/350 R-L AERO BRCK COVER
85G 9801 BLA450 R+L BRACKET COVERS STD
85F 9801 BLA450 R+L BRACKET COVERS AERO
85R 9801 BLM250 CLAMP SCREW UNIT
85R 1100 BLM250 CLAMP BAND
85R 1400 BLM250 BRACKET COVER FXG SCREW
85R 0800 BLM250 WIRE HOOKING CAP RIGHT
85R 0900 BLM250 WIRE HOOKING CAP LEFT
85J 9805 BLM350/450 R-L BRACK CVS BLACK
880 9821 BLM350/450 CLAMP SCREW & PLATE
880 9820 BLM350/450 CLAMP BAND & NUT
81N 9802 BRM452LX ANCH LINK FXG BOLT UN
81C 9803 BRM350/450 ANCH LINK FXG BOLT UN
83A 0300 BRM452LX RET SPRG FOR ANCH LNK
861 5300 BRM350/450 RET SPRG FOR ANCH LNK
81H 0600 BRM250 RET SPRING FR ANCH LINK
81N 9805 BRM350/452LX HOOK LNK FX BT UN
861 5400 BRM250/452LX RET SPRG FR HK LK
81H 9803 BRM250 WIRE FIXING BLT UNIT
81B 0300 BRA452LX ARM RET SPRING 49 TYP
81B 0310 BRA452LX ARM RET SPRING 57 TYP
81A 9830 BRA452LX CABLE ADJ BARREL + NUT
853 9863 BRA452LX CABLE FXG BOLT UNIT
87C 1101 BRM51 ARM FIXING BOLT
81E 0500 BRM450/1 BOSS CAP
81E 9804 BRM450/1 SPRG HLD R FOR ANC ARM
81E 9803 BRM450/1 SPRG HLD R FOR HOOK ARM
81K 0600 BRM452/4 RET SPRG FOR ANCH ARM
81E 0800 BRM450/1 RET SPRG FOR ANCH ARM
81K 0700 BRM452/3 RET SPRG FOR HOOK ARM
81E 0900 BRM450/1 RET SPRG FOR HOOK ARM
851 9803 BRM451/2 WIRE FIXING BOLT
81E 1100 BRM450/1 ADJ SCREW FOR SPRING
13U 0130 FCM250 LEFT HAND CRANK 170MM
13U 0150 FCM250 LEFT HAND CRANK 175MM
30E 9805 FHM452LX COMP HUB AXLE SS 130M
359 9838 FHM452LX RT AXLE SPACER & SEAL
220 0851 FLM452LX RIGHT CONE M10 X 9MM

301 0510 FHM452LX HUB AXLE Q/R 130MM OL
301 0520 FHM452LX HUB AXLE Q/R 135MM OLN
383 0110 FHM452LX HUB AXLE SS 130M OLND
383 0120 FHM452LX HUB AXLE SS 135M OLND
220 9808 FHM452LX LEFT CONE & SEAL RING
384 9801 EXAGE COM F/WHEEL BODY 6 SPD
248 0500 FHM451/452LX LEFT DUST CAP
13G 1203 FCA250/AA52LX CRANK ARM CAP
104 1432 ULT CAS SPKT 6/7 SPLINED 14T

SPARE PARTS LIST 1990 PRODUCTS



CODE	DESCRIPTION	CODE	DESCRIPTION
103 1820	D.A. CASS SPRKT 6/7/8 SPLINED 18T	30H 9801	HG50 7-SP FREEWHEEL BODY COMPLETE
103 2220	D.A. CASS SPRKT 6/7/8 SPLINED 22T	82B 9803	1055 STD PIVOT BOLT UNIT FRONT
104 1422	ULTEG CASS SPRKT 2ND 14T	82B 9808	1055 STD PIVOT BOLT UNIT REAR
104 1622	ULTEG CASS SPRKT 2ND 16T	82A 0300	105 STD PIVOT BOLT FRONT
104 1632	ULTEG CASS SPRKT SPLINED 16T	82A 0400	105 STD PIVOT BOLT REAR
104 1832	ULTEG CASS SPRKT SPLINED 18T	88C 9811	1055 R & L BRAKE LEVER HOODS WHITE
104 2032	ULTEG CASS SPRKT SPLINED 20T	17V 3900	D.A. C/RING RND SG 39T-B TYPE
104 2132	ULTEG CASS SPRKT SPLINED 21T	17V 4200	D.A. C/RING RND SG 42T-A TYPE
11W 0100	HG LOCK RING	17V 5200	D.A. C/RING RND SG 52T-A TYPE
66V 9100	STI XT/DX SHIFT LEVER UNIT FOR REAR	17V 5300	D.A. C/RING RND SG 53T-A TYPE
66V 9010	STI XT/DX SHIFT LEVER UNIT FOR FRONT	17V 5310	D.A. C/RING RND SG 53T-B TYPE
87T 9801	STI XT RH BRK LEVER 2-FINGER TYPE	17Y 0300	D.A. CRANK ARM L/H 170MM
87T 9802	STI XT LH BRK LEVER 2-FINGER TYPE	17Y 0500	D.A. CRANK ARM L/H 170MM
64G 9100	STI LX SHIFT LEVER UNIT FOR REAR	145 3910	600EX CHAINRING 39T B-TYPE
64G 9010	STI LX SHIFT LEVER UNIT FOR FRONT	145 4210	600EX CHAINRING 42T B-TYPE
86R 9801	STI LX RH BRK LEVER	14M 4210	1055 C/RING BP SG 42T
86R 9802	STI LX LH BRK LEVER	14M 4200	1055 C/RING RND SG 42T
86U 9801	BRK CABLE ADJ BOLT & NUT (STM050)	14M 5210	1055 C/RING BP SG 52T
64J 9100	SHIFTING LEVER UNIT FOR REAR (STM020)	14M 5200	1055 C/RING RND SG 52T
64J 9010	SHIFTING LEVER UNIT FOR FRONT (STM020)	14N 0140	1055 CRANK ARM L/H 170MM
51B 9808	CABLE ADJ BARREL UNIT (1055)	14F 0140	105 CRANK ARM L/H 170MM
546 9814	CABLE FIXING BOLT UNIT UNIVERSAL	14R 0110	RX100 CRANK ARM L/H 170MM
563 9837	GUIDE PULLEY UNIT (TOP) UNIVERSAL	13F 0200	500EX CRANK ARM L/H 170MM
563 9839	TENSION PULLEY UNIT (BOTTOM) UNIVERSAL	13F 0210	A350 CRANK ARM L/H 170MM
52A 9801	CABLE ADJ BARREL UNIT (UNIV. EXCL 1055)	13F 0310	A350 CRANK ARM L/H 175MM
531 6000	RD P-TENSION (LOWER) SPRING UNIVERSAL	13S 0130	A250 CRANK ARM L/H 170MM
556 1300	XT P-TENSION SPRING	13U 0130	M250 CRANK ARM L/H 170MM
53A 9805	XT GUIDE PULLEY UNIT	132 9801	FIXING BOLTS TRIPLE OUTER RINGS (5)
53A 9806	XT TENSION GUIDE PULLEY UNIT	143 9801	FIXING BOLTS TRIPLE INNER RING (5)
541 2701	RD ADAPTER	16G 2410	XT CH/RING 24T SG-RD TRIPLE INNER SILV
571 1400	FD CLAMP BOLT (M5x15) UNIVERSAL	16G 2600	XT CH/RING 26T SG-BP TRIPLE INNER SILV
570 9802	FD CABLE FIXING PLATE & BOLT (M5x6.5)	16G 2800	XT CH/RING 28T SG-BP TRIPLE INNER SILV
233 9801	COMPLETE QUICK RELEASE SKEWER FRONT	16G 2810	XT CH/RING 28T SG-RD TRIPLE INNER SILV
338 9802	COMPLETE HUB AXLE FRONT	16G 3600	XT CH/RING 36T SG-BP MIDDLE INNER SILV
336 9801	COMPLETE Q / RELEASE SKEWER XT FRONT	16G 3800	XT CH/RING 38T SG-BP MIDDLE INNER SILV
23A 9801	COMPLETE HUB AXLE XT FRONT	16G 3610	XT CH/RING 36T SG-RD MIDDLE INNER SILV
205 9040	COMPLETE Q / RELEASE SKEWER DX/LX FT	16G 3810	XT CH/RING 38T SG-RD MIDDLE INNER SILV
216 9804	COMPLETE HUB AXLE DX/LX FRONT	16G 4600	XT CH/RING 46T SG-BP OUTER INNER SILV
240 9822	D.A. QUICK RELEASE SKEWER RR COMPLETE	16G 4800	XT CH/RING 48T SG-BP OUTER INNER SILV
354 9806	D.A. HUB AXLE REAR COMPLETE	16G 4610	XT CH/RING 46T SG-RD OUTER INNER SILV
354 9804	D.A. FREEHUB RH CONE & SEAL RING	16G 4810	XT CH/RING 48T SG-RD OUTER INNER SILV
360 1910-9	D.A. FREEHUB HUB AXLE 8-SP 141MM (130)	16B 0130	XT CRANK LH 170MM
360 1920-9	D.A. FREEHUB HUB AXLE 8-SP 146MM (135)	16B 0150	XT CRANK LH 175MM
354 9805	D.A. FREEHUB LH CONE & SEAL RING	17B 0200	DX/LX CRANK LH 170MM
33A 9801	D.A. COMPLETE 8-SP FREEWHEEL BODY	17B 0300	DX/LX CRANK LH 175MM
377 9804	6400 FREEHUB AXLE 137MM 7-SP COMPLETE	18E 2800	EX CHAINRING 28T SG-BP INNER BLACK
301 9821	1055 QUICK RELEASE FRONT COMPLETE	18E 3800	EX CH/RING 38T SG-BP MIDDLE BLACK
301 9820	1055 HUB AXLE FRONT COMPLETE	15W 4800	EX CH/RING 48T SG-BP OUTER BLACK
32E 9802	1055/DX HG 7-SP F/WHEEL BODY COMPLETE	179 9811	XT LH ADJ CUP & SEAL (ENG)
375 9803	XT Q / RELEASE REAR COMPLETE 130MM	137 0501	XT LOCK RING (ENG)
375 9809	XT Q / RELEASE REAR COMPLETE 135MM	148 0180	XT BB SPINDLE ONLY 122.5MM
375 9811	XT HUB AXLE COMPLETE 130MM	179 9801	XT RH FIXED CUP & SEAL (ENG)
375 9810	XT HUB AXLE COMPLETE 135MM	413 9821	1055/RX100 TOECLIPS M (PR)
360 1910-9	XT HUB AXLE 130MM	413 9822	1055/RX100 TOECLIPS L (PR)
360 1920-9	XT HUB AXLE 135MM	413 9823	1055/RX100 TOECLIPS LL (PR)
381 0600	XT RH CONE REAR M10x9mm	415 1120	PEDAL PLATE FIXING SCREW (UNIVERSAL)
378 9805	XT LH CONE & SEAL RING REAR M10x9mm	418 9801	D.A. PEDAL CLEAT ASSEMBLY (PAIR)
32A 9801	XT HG 7-SP FREEWHEEL BODY COMPLETE	440 9805	D.A. PEDAL AXLE ASSEMBLY RIGHT
32A 9802	XT HG FREEWHEEL DUST CAP	440 9807	D.A. PEDAL AXLE ASSEMBLY LEFT
32C 9804	D-II QUICK RELEASE COMPLETE 135MM	440 0300	D.A. PEDAL AXLE RIGHT
32C 9802	D-II HUB AXLE COMPLETE 130MM	440 0400	D.A. PEDAL AXLE LEFT
32C 9803	D-II HUB AXLE COMPLETE 135MM	421 9802	ATB TOECLIPS L (PR)
32C 9801	D-II HG 7-SP FREEWHEEL BODY COMPLETE	421 9803	ATB TOECLIPS LL (PR)
30E 9803	M550/452/HG50 HUB AXLE COMPLETE 130MM		
30E 9804	M550/452/HG50 HUB AXLE COMPLETE 135MM		