

Catalogue No. **16**

English Edition



All **CAMPAGNOLO** products
are distinguished by trade marks



PERFECT EFFICIENCY - LONG LIFE - ABSOLUTE GUARANTEE

IMPORTANT !

Orders will not be accepted if the requested articles are not supplied complete with their pertaining CATALOGUE NUMBERS

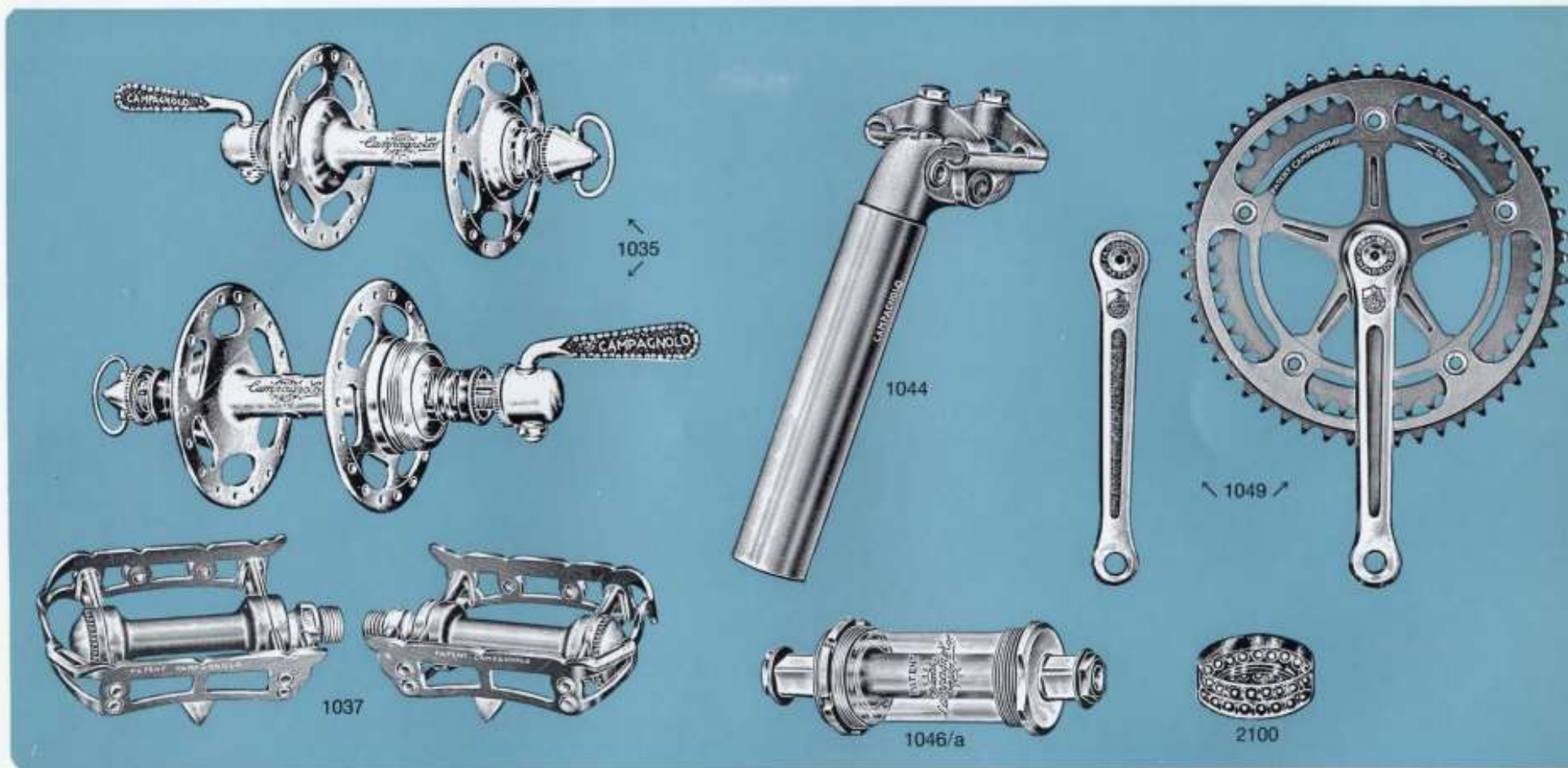
The present catalogue cancels all previous ones.

Messrs. Brevetti Internazionali Campagnolo S.p.A. reserve the right to alter or improve specifications without prior notice.

I N D E X

RECORD ROAD COMPLETE ENSEMBLE	4-5
RECORD TRACK COMPLETE ENSEMBLE	6-7
NUOVO RECORD GEAR AND RECORD FRONT CHANGER	8-9
VALENTINO EXTRA GEAR AND VALENTINO FRONT CHANGER	10-11
SPORT EXTRA GEAR	12
VALENTINO CONTROL LEVER SYSTEMS	13
RECORD CONTROL LEVER SYSTEMS	14-15
RECORD HUBS	16-17
NUOVO TIPO HUBS	18-19
RECORD BOTTOM BRACKET AND CHAINWHEEL SET	20-21
SPECIAL COTTERLESS CHAINSETS	22-23
BOTTOM BRACKET SET	24-25
RECORD HEAD SET	26
RECORDS PEDALS	27
RECORD BRAKES	28-29
SEAT PINS	30
GUIDES - CABLES - CLIPS	31
QUICK RELEASE SEAT CLIPS	32
FRONT AND REAR FORK ENDS	33
PUMP ADAPTORS - ACCESSORIES - GREASE	34
PUMP HOLDERS AND SPECIAL CONNECTORS	35
SPECIAL TOOLS	36-37
TOOLS CASE AND BICYCLE STAND	38-39
TANDEM CHAIN LINES AND GEAR TABLES	40-41-42

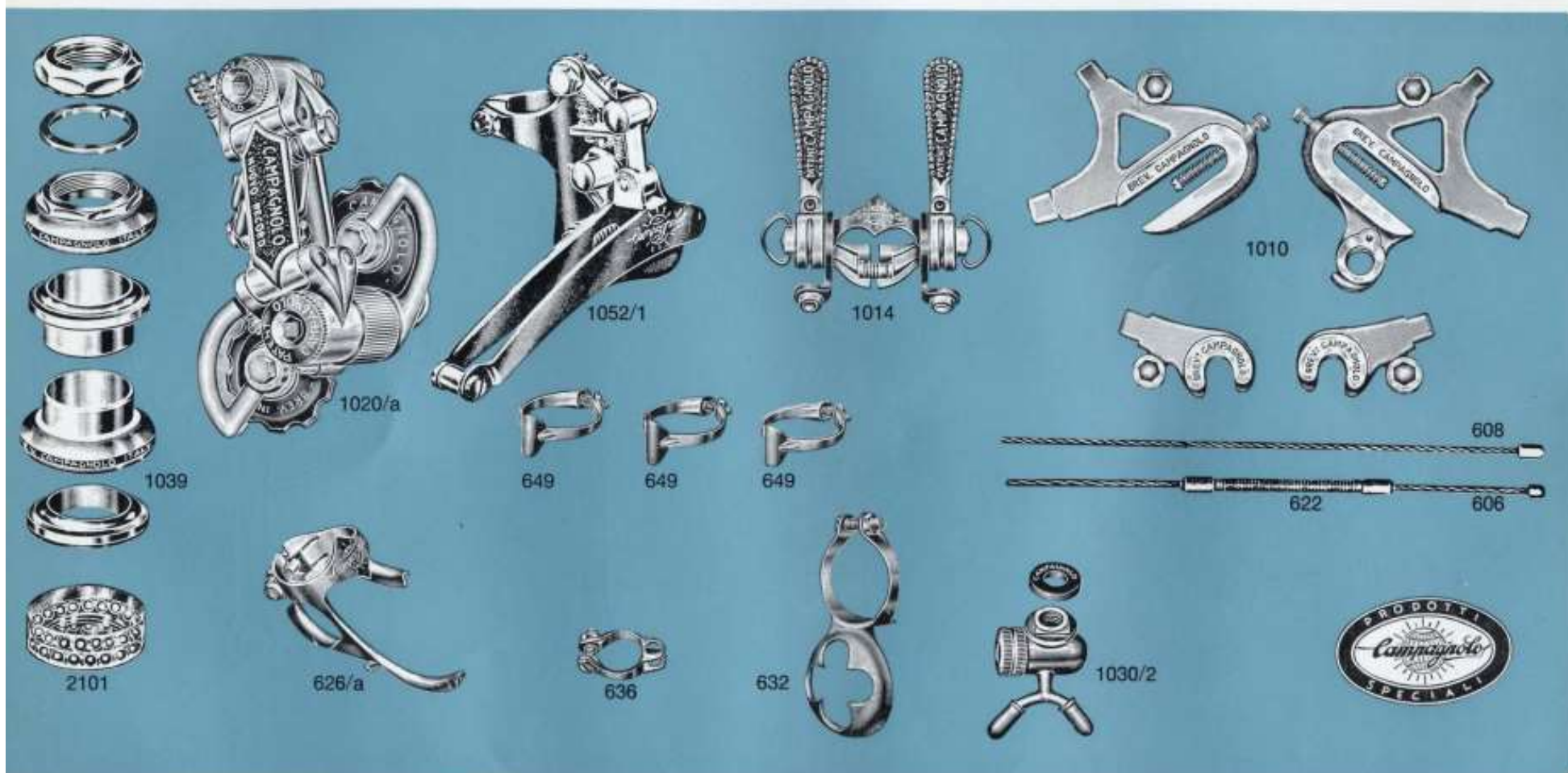
1032 - CAMPAGNOLO RECORD



- 606 Down tube gear cable (118 cm)
- 608 Down tube front changer cable (70 cm)
- 622 Rear stainless steel outer cable (21 cm)
- 626/a Twin gear cables clip
- 632 Seat tube pump clip
- 636 Top tube pump clip

- 649 Brake cable clips
- 1010 Record fork ends set
- 1014 Twin down tube control levers
- 1020/a Nuovo Record gear (without hanger)
- 1030/2 Special pump adaptor (thread $\varnothing 9 \times 1,25$ - Any of the pump adaptors shown on page 34 can be supplied instead)

ROAD ENSEMBLE



- 1035 **Pair of Record large flange quick release hubs** (front width 100 mm. - rear width 120 mm.)
- 1037 **Pair of Record road pedals** (spindle thread \varnothing 9/16" \times 20F.)
- 1039 **Record road head set** (thread 25.4 \times 24F.)
- 1044 **Seat pin for saddles with normal springs** (please specify diameter and length as shown on page 30. If requested seat pin 1045 for wide spring saddles can be supplied)

- 1046/a **Nuovo Record bottom bracket set** (for 70 mm. bottom bracket and with 118 mm. spindle - see page 25)
- 1049 **Road chainwheel set** (please specify number of chainring teeth and cranks length - see page 20)
- 1052/1 **Record front changer**
- 2100 **Special ballraces for bottom bracket set**
- 2101 **Special ballraces for head set**

1033 - CAMPAGNOLO RECORD



1036



1038



1051



- 1036 **Pair of Record track hubs** (front width 100 mm. - Rear width 110 mm.)
- 1038 **Pair of Record track pedals** (spindle thread \varnothing 9/16" \times 20 F.)
- 1040 **Record track head set** (thread \varnothing 25,4 \times 24 F.)

TRACK ENSEMBLE



- 1044 **Seat pin** for saddles with normal springs (please specify diameter and length as shown on page 30 - If requested seat pin 1045 for wide spring saddles can be supplied)
- 1046 **Record bottom bracket set** (for 65 mm. bracket and with 104 mm. spindle - see page 24)
- 1053 **Track fork ends set**

- 1051 **Track chainwheel set** (chainring for chain 1" × 3/16" - Available also for chains 1" × 1/8" or 1/2" × 1/8"). - Please specify number of chainring teeth and cranks length - see page 21)
- 2100 **Special ballraces** for bottom bracket set
- 2102 **Special ballraces** for head set

CAMPAGNOLO NUOVO RECORD GEAR RECORD FRONT CHANGER



TWIN DOWN TUBE CONTROL LEVERS WITH BARE CABLES TWIN HANDLEBAR CONTROL LEVERS WITH BARE CABLES



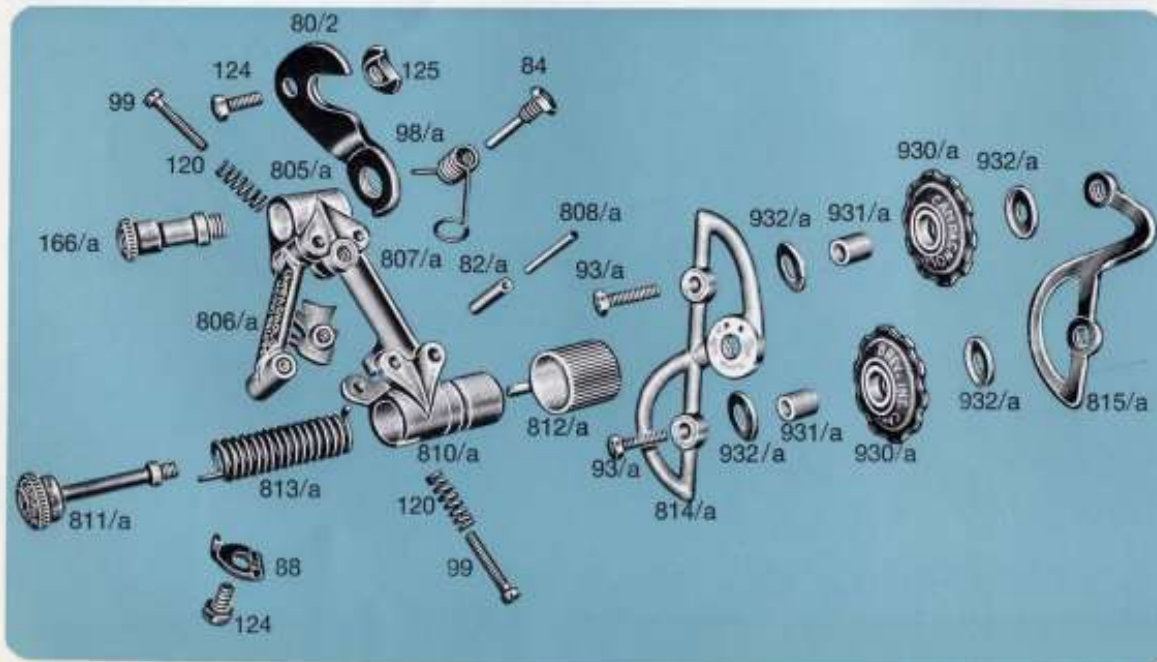
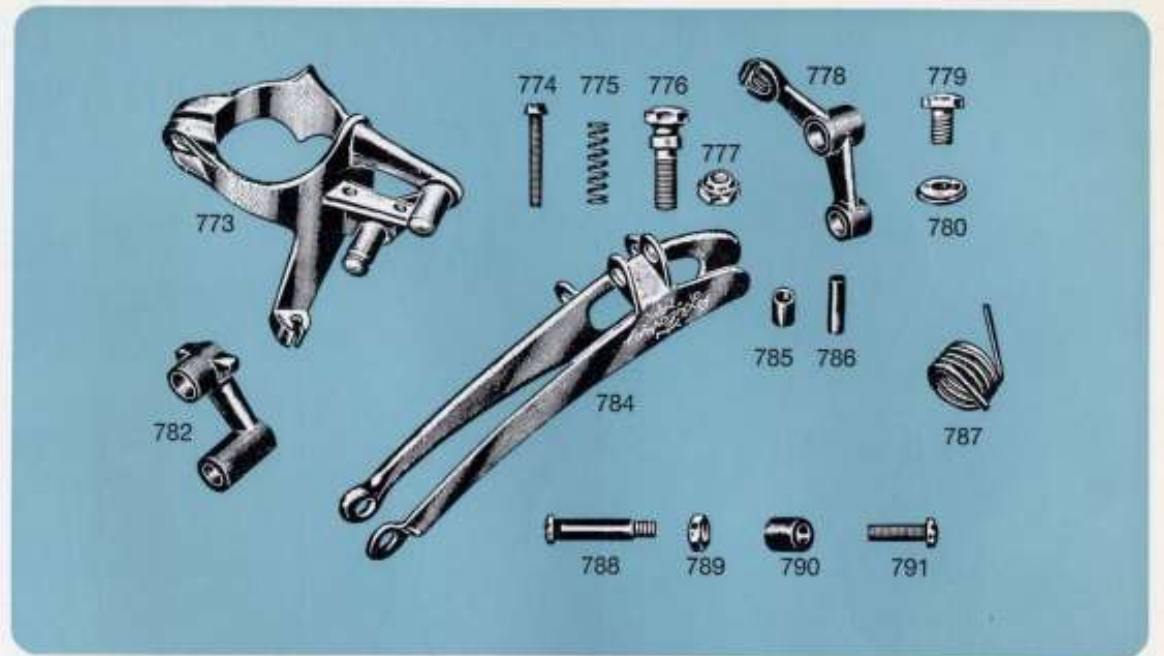
- 145 Handlebar control gear cable
- 218 Handlebar control front changer cable
- 606 Down tube control gear cable (118 cm.)
- 608 Down tube control front changer cable (70 cm.)

- 622 Rear handlebar control outer cable (21 cm.)
- 625 Front handlebar control outer cable (75 cm.)
- 626/a Twin control cable guide
- 629 Twin handlebar control clip
- 636 Chainstay clip

- 1012/3 Handlebar control
- 1014 Twin control lever
- 1020/1a Nuovo Record gear with hanger
- 1052/1 Record front changer

RECORD FRONT CHANGER SPARE PARTS

- 773 Record front changer body
- 774 Adjusting bolt
- 775 Adjusting bolt spring
- 776 Clip fixing screw
- 777 Clip nut
- 778 Upper arm
- 779 Cable clamp bolt
- 780 Washer for bolt 779
- 782 Lower arm
- 784 Front changer cage
- 785 Ferrule for front changer cage
- 786 Spindle for front changer cage
- 787 Front changer return spring
- 788 Cage shank bolt
- 789 Cage nut
- 790 Roller
- 791 Cable bolt



NUOVO RECORD GEAR SPARE PARTS

- | | | | |
|-------|----------------------|-------|-------------------|
| 80/2 | Gear fixing plate | 806/a | Front arm |
| 82/a | Body ferrule | 807/a | Inner arm |
| 84 | Spring screw | 808/a | Spindle |
| 88 | Clamp wascher | 810/a | Spring cage |
| 93 | Sprocket bolt | 811/a | Gear spring bolt |
| 96/a | Gear return spring | 812/a | Spring cage cover |
| 99 | Gear adjusting screw | 813/a | Tension spring |
| 120 | Safety spring | 814/a | Outer cage plate |
| 124 | Fixing screw | 815/a | Inner cage plate |
| 125 | Clamp nut | 930/a | Roller |
| 166/a | Upper pivot bolt | 931/a | Roller bush |
| 805/a | Rear body | 932/a | Roller dust cover |

CAMPAGNOLO VALENTINO EXTRA GEAR VALENTINO FRONT CHANGER



2170

RIGHT HAND DOWN TUBE CONTROL WITH COVERED CABLES

TWIN CONTROL LEVER ONLY WITH CABLES



1204



606

605



1206



608



606



2050

605 Gear outer casing (105 cm.)

606 Gear cable to frame control (118 cm.)

608 Front changer cable to frame control (70 cm.)

1204 Valentino right hand down tube control lever

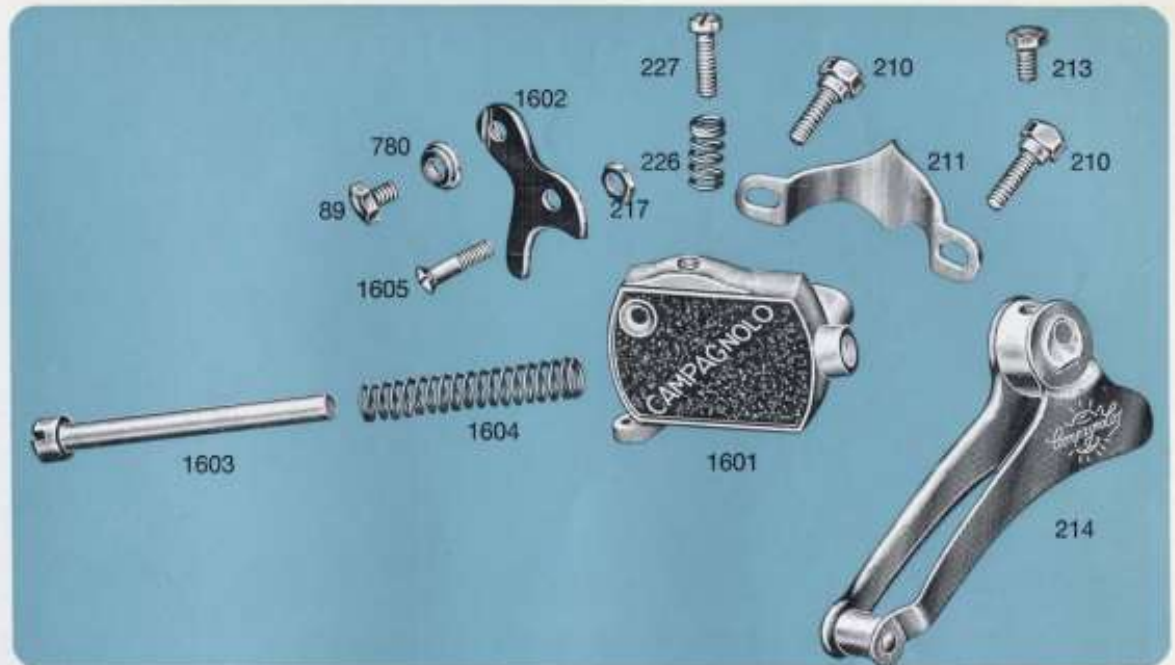
1206 Valentino twin control lever

2050 Valentino front changer

2170 Valentino Extra gear complete with hanger

VALENTINO FRONT CHANGER SPARE PARTS

- 89 Bolt for lip plate
- 210 Body clip bolt
- 211 Body fixing clip
- 213 Fork fixing bolt
- 214 Fork-cage
- 217 Nut for spacing screw bolt
- 226 Adjusting bolt spring
- 227 Adjusting lever screw
- 780 Cable clamp screw washer
- 1601 Front changer body
- 1602 Control fork
- 1603 Spindle
- 1604 Return spring
- 1605 Bolt



VALENTINO EXTRA GEAR SPARE PARTS



- | | | | |
|--------|---------------------------|--------|-------------------------|
| 80/a | Gear fixing plate | 2156/a | Outer arm |
| 124 | Fixing screw | 2157/a | Inner arm |
| 779 | Cable clamp screw | 2158 | Gear counter fixing nut |
| 780 | Cable clamp screw washer | 2159 | Gear hanger bolt |
| 914 | Nut for fixing plate bolt | 2160 | Spring cage cover |
| 926 | Inner cage plate | 2161 | Rear body |
| 930/b | Rollers | 2205/a | Fixing pivot bolt |
| 931/b | Roller bushes | 2209 | Gear return spring |
| 932/a | Roller dust cover | 2210/a | Return spring spindle |
| 933 | Roller bolt | 2211/a | Spindle |
| 2151 | Spring cage | 2213/a | Arm rivets |
| 2152 | Outer cage plate | 2214 | Spring washer |
| 2153/a | Spring cage bolt | 2215/a | Adjusting bolt |
| 2154 | Cover | 2217 | Adjusting screw spring |
| 2155 | Gear tension spring | | |

CAMPAGNOLO SPORT EXTRA GEAR



2180

- 605 Gear outer casing (105 cm.)
- 606 Gear cable to frame control (118 cm.)
- 1204 Valentino right hand down tube control lever
- 2180 Sport Extra gear complete with hanger



VALENTINO RIGHT HAND CONTROL



SPORT EXTRA GEAR SPARE PARTS

- | | | | |
|--------|---------------------------------|--------|-------------------------------|
| 80/3 | Gear fixing plate | 2209 | Gear return spring |
| 93 | Roller axle bolt | 2210/a | Return spring spindle |
| 114 | Spring retaining cap | 2211/a | Spindle |
| 124 | Fixing screw | 2213/a | Arm rivets |
| 779 | Cable clamp screw | 2214 | Spring washer |
| 780 | Cable clamp screw washer | 2215/a | Adjusting bolt |
| 792 | Cage plates connector | 2217 | Adjusting screw spring |
| 914 | Fixing plate nut | 2220/a | Roller cage |
| 930/b | Roller | 2222 | Outer cage plate |
| 931/b | Roller bush | 2223 | Inner cage plate |
| 932/a | Roller dust cap | 2232 | Spring cage bolt |
| 2202/a | Outer arm | 2233 | Spring cage |
| 2203/a | Inner arm | 2234 | Gear tension spring |

CAMPAGNOLO VALENTINO CONTROLS

RIGHT HAND DOWN TUBE CONTROL WITH COVERED CABLES



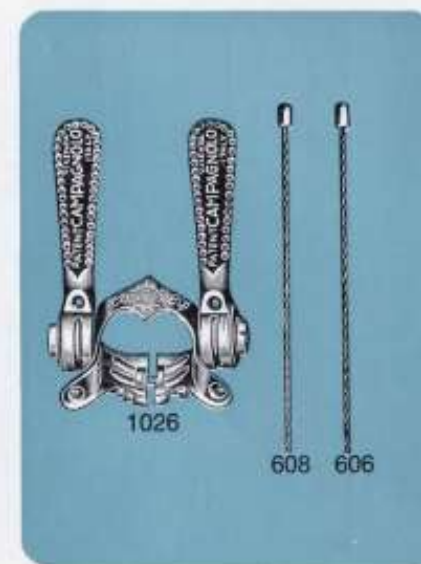
- 174 Friction plate
- 601 Right hand control lever only
- 602 Left hand control lever only
- 604 Friction adjusting screw
- 605 Gear outer casing (105 cm.)

VALENTINO CONTROL SPARE PARTS



- 606 Gear cable to frame control (118 cm.)
- 608 Front changer cable to frame control (70 cm.)
- 609 Clip bolt and nut
- 677 Washer
- 777 Clip fixing bolt nut
- 1200 Right hand pressed collar

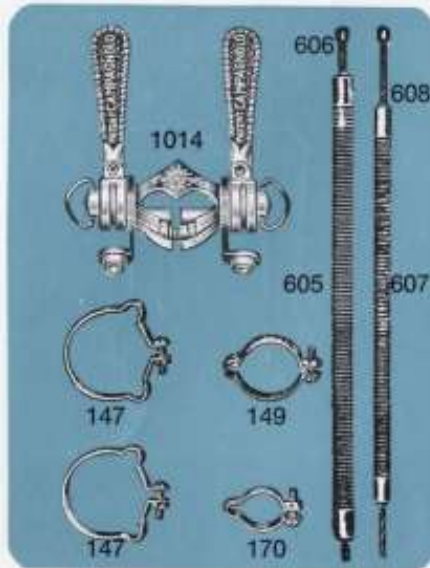
TWIN CONTROL LEVER ONLY WITH CABLES



- 1201 Down tube front changer control clip
- 1202 Down tube twin control clip
- 1203 Cover
- 1204 Valentino right hand down tube control lever
- 1206 Valentino twin control lever

CAMPAGNOLO RECORD CONTROL SYSTEMS

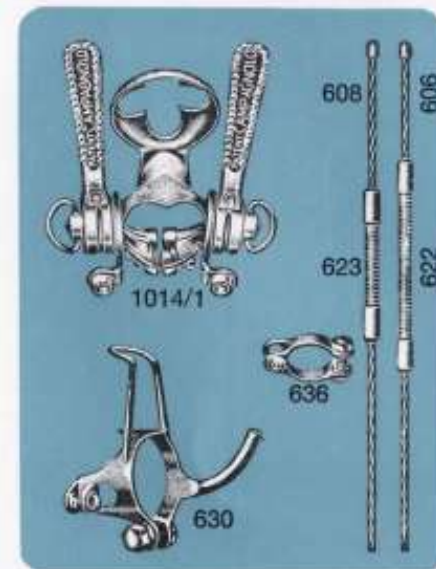
TWIN CONTROL LEVER WITH COVERED CABLES



BRAZE-ON CONTROL SYSTEMS AND BARE CABLES



TWIN CONTROL SYSTEM WITH PUMP HOLDER AND BARE CABLES



602



600



601



603



604



604/1



609



612



174

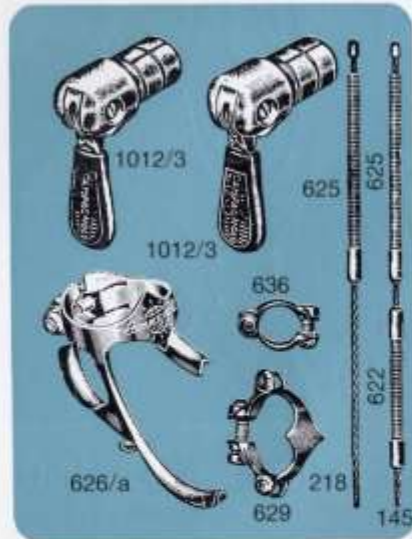
- 137 Segment expanding screw
- 138 Segment
- 139/1 Counter-nut
- 139/2 Hexagonal screw
- 140/1 Tension adjusting screw
- 142 Spring segment holder
- 145 Rear derailleur cable to handlebar control (197 cm.)
- 147 Outer casing clip

- 149 Outer cable clip
- 170 Outer cable clip
- 173 Rubber covers for shifters
- 174 Friction plate
- 174/1 Friction plate
- 200/2 Handlebar control body
- 201 Handlebar lever
- 218 Handlebar control front changer cable (150 cm.)

- 600 Right hand lever collar
- 600/2 Control lever plate
- 601 Right hand control lever only
- 602 Left hand control lever only
- 603 Cover plate
- 604 Friction adjusting screw
- 604/1 Friction adjusting wing nut (as alternative to 604)
- 605 Gear outer casing (105 cm.)

CAMPAGNOLO RECORD CONTROL SYSTEMS

HANDLEBAR CONTROL WITH BARE CABLES



DOWN TUBE CONTROL WITH BARE CABLE



BRAZE-ON CONTROL WITH BARE CABLE

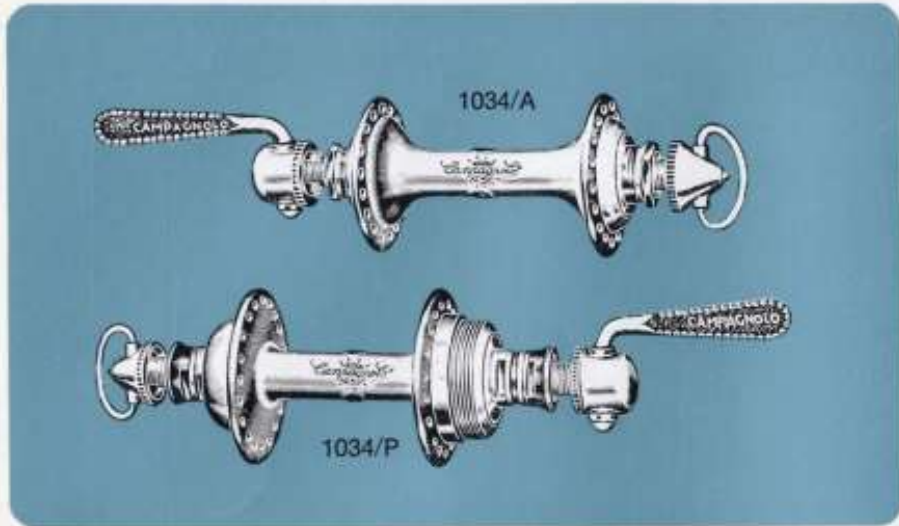


- 606 Gear cable to frame control (118 cm.)
- 607 Down tube front outer casing (59 cm.)
- 608 Front changer cable to frame control (70 cm.)
- 609 Clip bolt and nut
- 612 Cable stop
- 621 Braze-on cable stop
- 622 Rear derailleur steel outer casing
- 623 Front changer steel outer casing

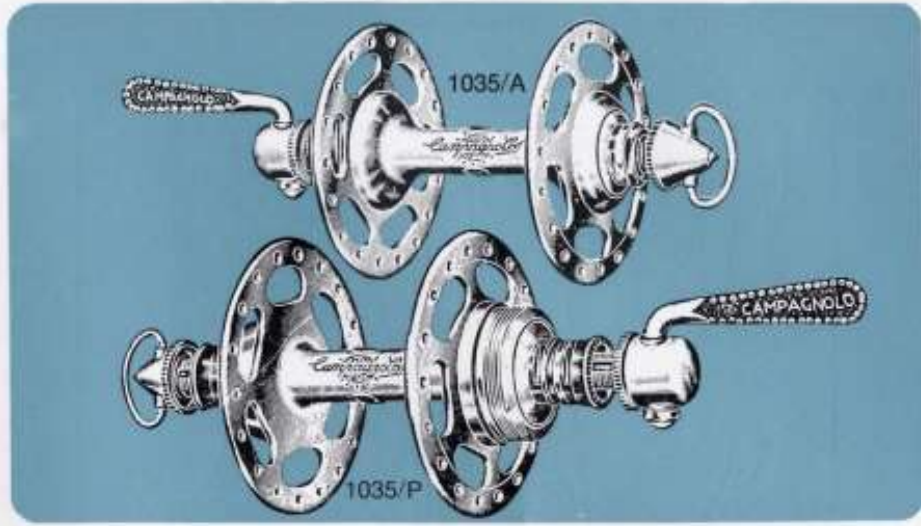
- 625 Steel outer casing to down tube handlebar control (75 cm.)
- 626/a Double stop clips for down tube controls
- 626/b Braze-on cable ferrule
- 627/a Down tube tunnel R/H for gear
- 629 Double stop cable clip for handlebar control
- 630 Pump holder, No. 630
- 636 Stop clip on chainstay for rear derailleur
- 660 Braze-on boss

- 661 Brazed boss collar
- 663 Braze-on cable ferrule
- 711 Gear vipla cable (23 cm.)
- 1012/3 Handlebar controls
- 1013/1 Right hand down tube control
- 1013/6 Gear braze-on control
- 1014 Twin down tube control lever
- 1014/1 Twin down tube control lever with pump clip

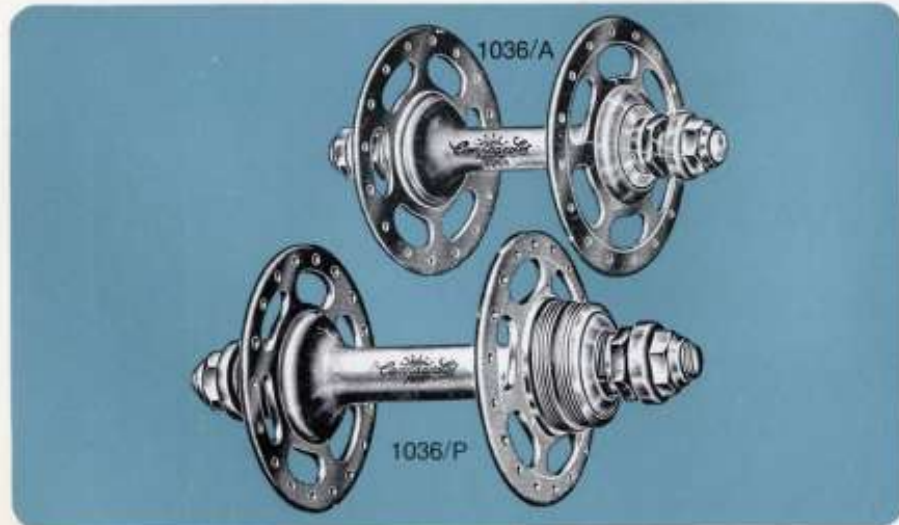
1034 **RECORD SMALL FLANGE CAMPAGNOLO**
QUICK RELEASE ROAD HUBS



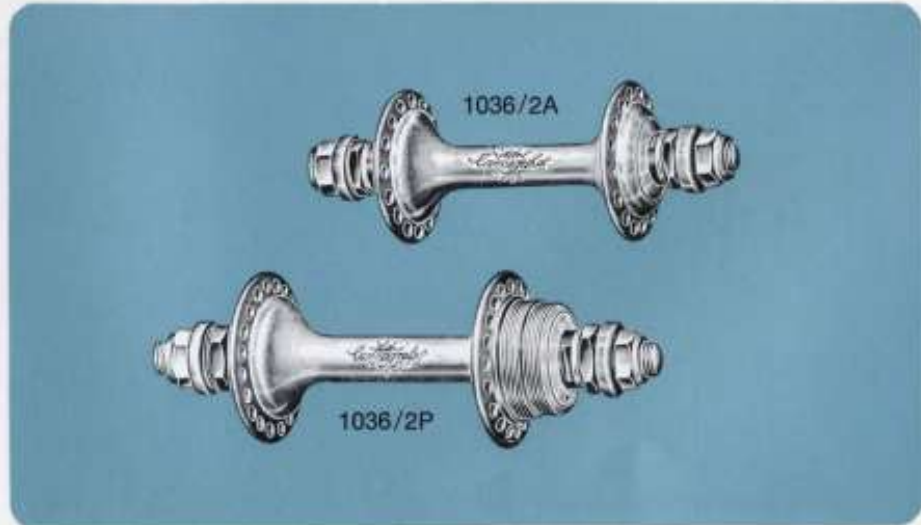
1035 **RECORD LARGE FLANGE CAMPAGNOLO**
QUICK RELEASE ROAD HUBS



1036 **RECORD LARGE FLANGE SOLID SPINDLE**
TRACK HUBS



1036/2 **RECORD SMALL FLANGE SOLID SPINDLE**
TRACK HUBS



WHEN ORDERING PLEASE SPECIFY: } THEREAD (Ø 35 × 24 F. OR Ø 34,7 × 1 OR Ø 1,370 × 24 F.)
NUMBER OF HOLES (24 - 28 - 32 - 36 - 40)

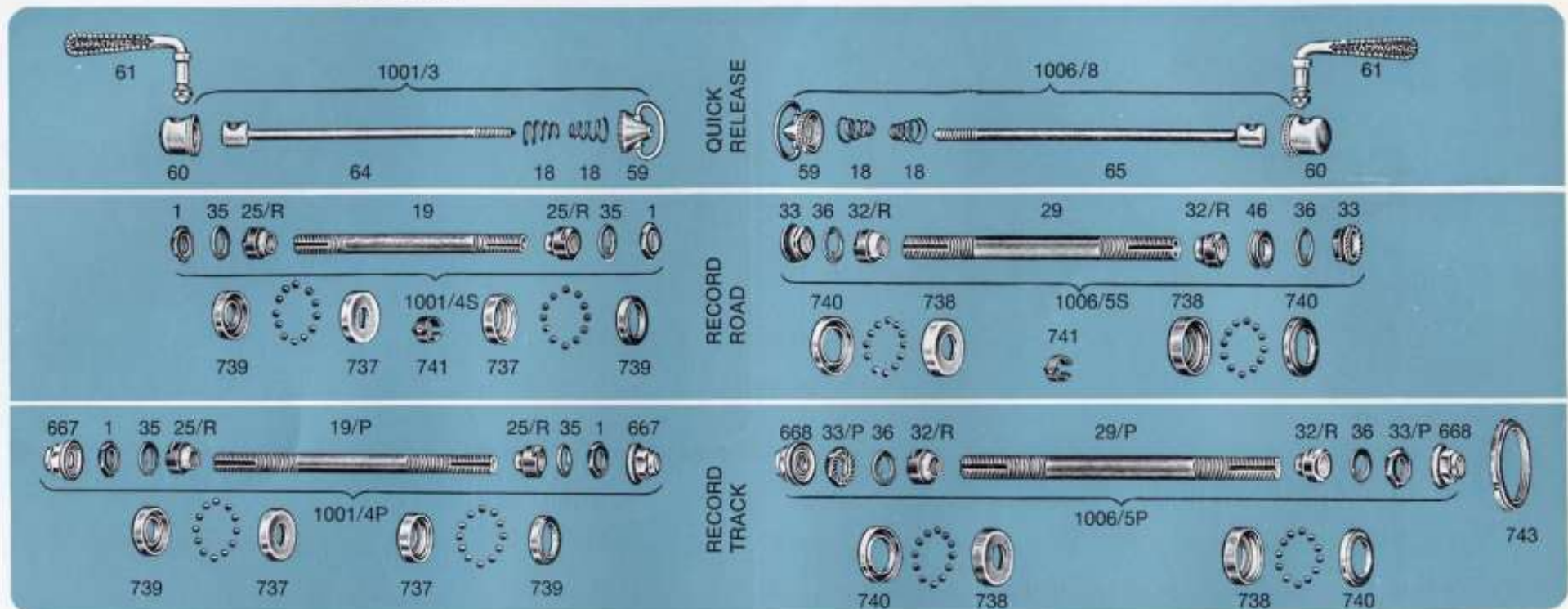
HUBS ORDERED WITHOUT SPECIFICATION WILL BE SUPPLIED
WITH Ø 35 × 24 F. AND WITH 36 HOLES

SIX-SPROCKETS HUBS ALSO AVAILABLE

CAMPAGNOLO RECORD HUBS AND QUICK RELEASE SPARE PARTS

FRONT

REAR

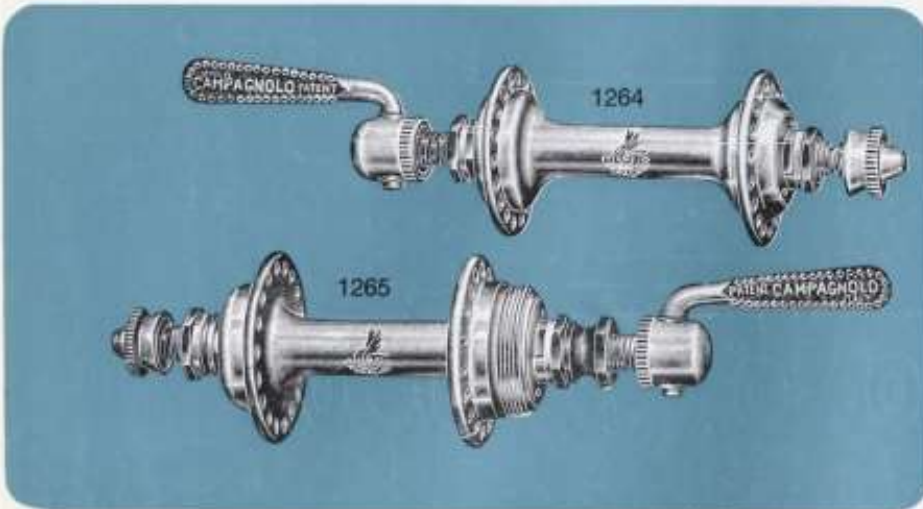


- 1 Front lock nut
- 18 Conical spring
- 19 Front road axle for Record road hubs
- 19/P Front track solid spindle axle
- 25/R Record front cone
- 29 Rear road axle for Record road hubs
- 29/P Rear track solid spindle
- 32/R Record rear cone
- 33 Rear lock nut for Record road hubs
- 33/P Rear lock nut for Record track hubs
- 35 Front spindle washer

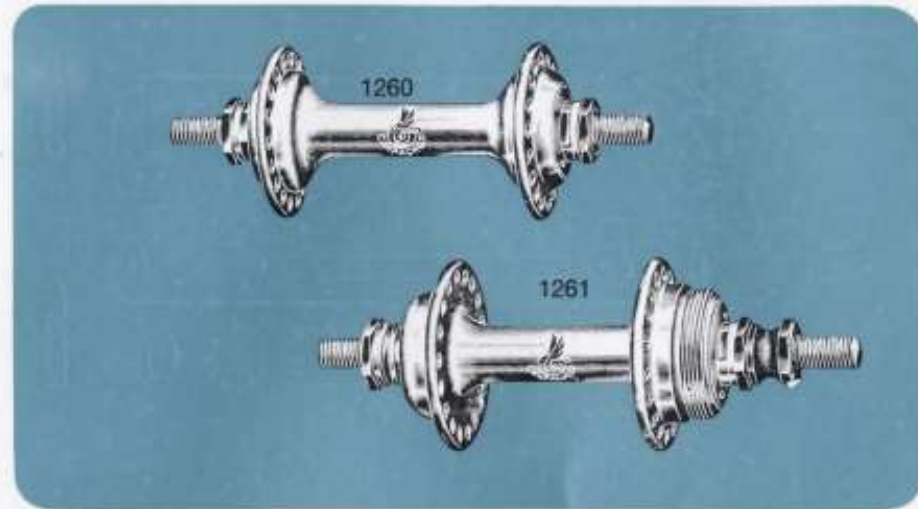
- 36 Rear spindle washer
- 46 Rear spacing collar
- 59 Quick release conical adjuster
- 60 Quick release lever housing
- 61 Complete quick release lever
- 64 Quick release front skewer
- 65 Quick release rear skewer
- 667 Track front nut
- 668 Track rear nut
- 737 Front Record ball cup
- 738 Rear Record ball cup

- 739 Front dust cover
- 740 Rear dust cover
- 741 Spring clip
- 743 Track lock ring
- 1001/3 Front quick release skewer complete
- 1001/4P Front track axle complete
- 1001/4S Front road axle complete
- 1006/5P Rear track axle complete
- 1006/5S Rear road axle complete
- 1006/8 Rear quick release skewer complete

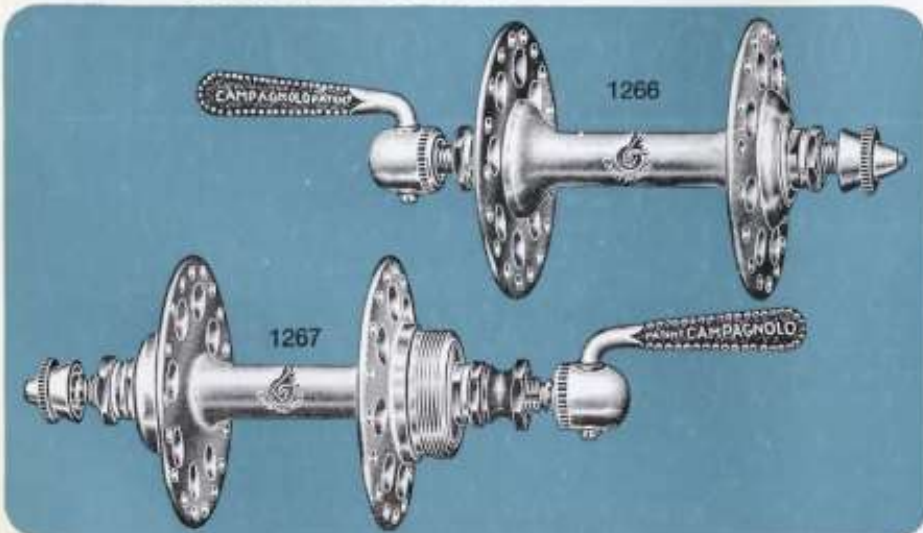
1251 **NUOVO TIPO SMALL FLANGE CAMPAGNOLO**
QUICK RELEASE HUBS



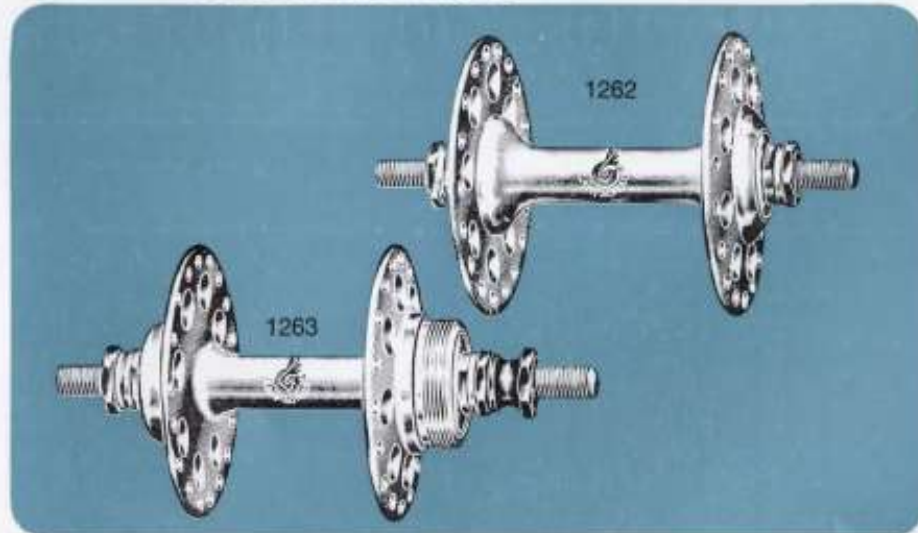
1250 **NUOVO TIPO SMALL FLANGE CAMPAGNOLO**
SOLID SPINDLE HUBS



1253 **NUOVO TIPO LARGE FLANGE CAMPAGNOLO**
QUICK RELEASE HUBS



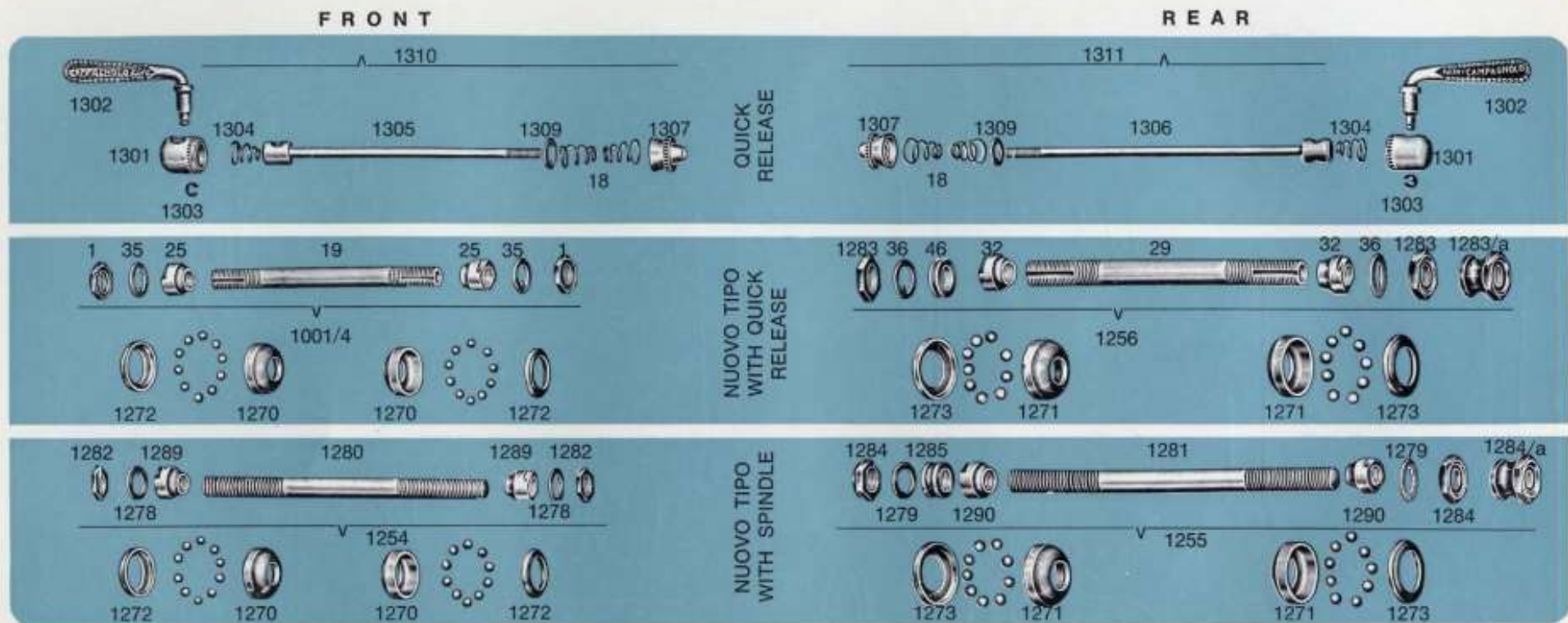
1252 **NUOVO TIPO LARGE FLANGE CAMPAGNOLO**
SOLID SPINDLE HUBS



WHEN ORDERING PLEASE SPECIFY: { THREAD (\varnothing 35 x 24 F. OR \varnothing 34,7 x 1 OR \varnothing 1.370 x 24 F.)
NUMBER OF HOLES (24 - 28 - 32 - 36 - 40)

HUBS ORDERED WITHOUT SPECIFICATION WILL BE SUPPLIED
WITH \varnothing 35 x 24 F. AND WITH 36 HOLES

CAMPAGNOLO NUOVO TIPO AND QUICK RELEASE SPARE PARTS



- 1 Front lock nut
- 18 Conical spring
- 19 Front road axle for Record road hubs
- 25 Front Record cone
- 29 Rear road axle
- 32 Rear Record cone
- 35 Front spindle washer
- 36 Rear spindle washer
- 46 Rear spacing collar
- 1001/4 Complete front hollow spindle for Nuovo Tipo hubs
- 1254 Complete rear solid spindle for Nuovo Tipo hubs
- 1255 Complete rear solid spindle for Nuovo Tipo hubs
- 1256 Complete rear hollow spindle for Nuovo Tipo hubs

- 1270 Front inserted race
- 1271 Rear inserted race
- 1272 Front dust cap
- 1273 Rear dust cap
- 1278 Spindle front washer
- 1279 Spindle rear washer
- 1280 Front spindle
- 1281 Rear spindle
- 1282 Front locknut
- 1283 Rear locknut
- 1283/a Rear spacer nut
- 1284 Rear locknuts
- 1284/a Spindle special bolt

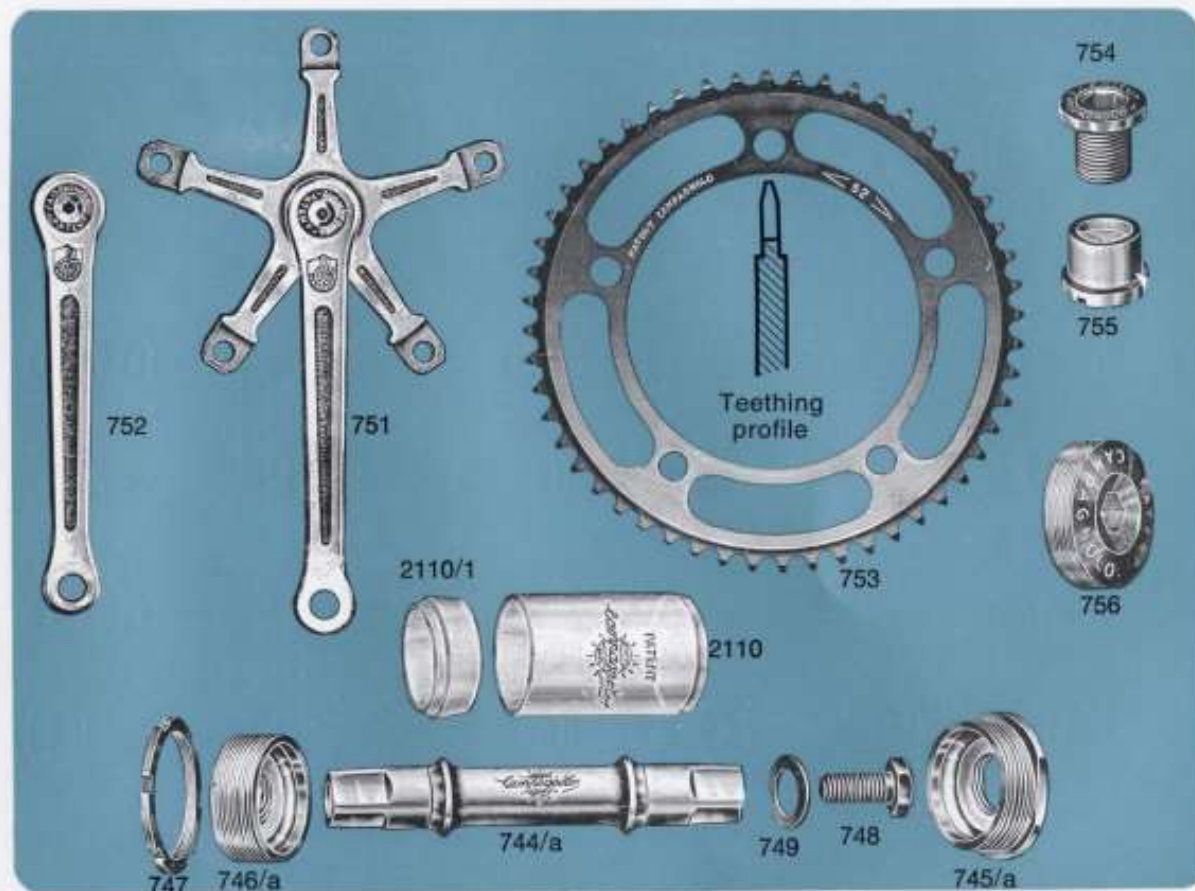
- 1285 Large spacing collar
- 1286 Small spacing collar
- 1289 Front spindle cone
- 1290 Rear spindle cone
- 1301 Chrome cam cap
- 1302 Quick release lever
- 1303 Circlip for lever
- 1304 Conical spring
- 1305 Front skewer
- 1306 Rear skewer
- 1307 Knurled adjusting nut
- 1309 Washer for skewer
- 1310 Nuovo Tipo front quick release skewer
- 1311 Nuovo Tipo rear quick release skewer

1048 - RECORD CHAINWHEEL SET - ROAD BOTTOM BRACKET

SPARE PARTS



- 1046/a **Cotterless** Nuovo Record bottom bracket (unless otherwise requested it will be supplied with 70-SS-120 spindle and 36 × 24 F. cups)
- 1049 **Road** chainwheel set (unless otherwise requested the set will be supplied with 170 mm. cranks and with 47-50 teeth chainrings for 1/2" × 3/32" chain)



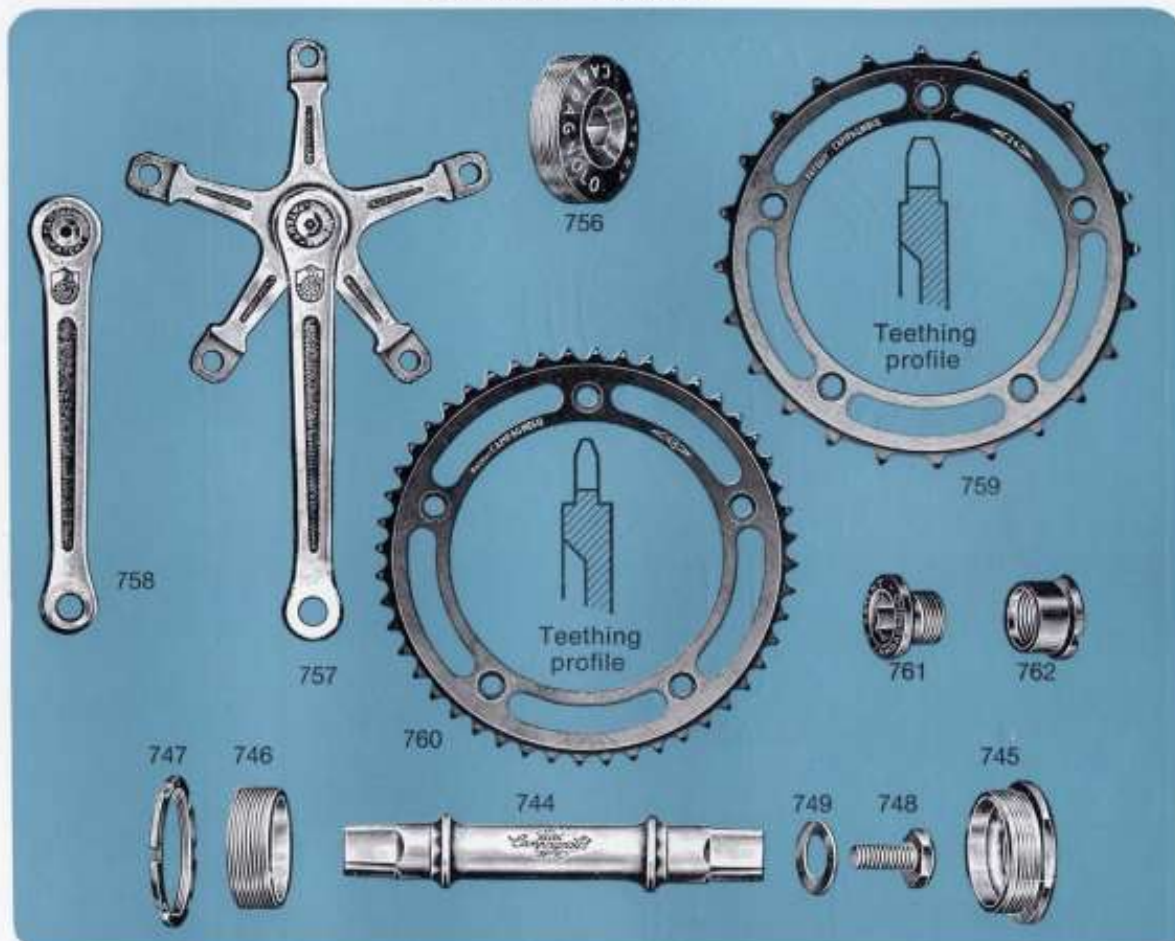
For sizes and details of the Nuovo Record bottom bracket see page No. 25.

- | | | | |
|--------|--------------------------------|-----|---|
| 744/a | Cotterless road spindle | 751 | Road right hand crank (complete with cover No. 756) - please specify length |
| 745/a | Fixed cup | 752 | Road left hand crank (complete with cover No. 756) - please specify length |
| 746/a | Adjustable cup | 753 | Road chainring for 1/2" × 3/32" (2 mm.) chain. Please specify number of teeth. |
| 747 | Lock ring | 754 | Road chainwheel fastening screw |
| 748 | Fixing screw | 755 | Road chainwheel fastening nut |
| 749 | Fixing washer | 756 | Crank cover plate |
| 2110 | Record sleeve | | |
| 2110/1 | Cone for Record sleeve | | |

CRANKS: LENGTH 165 - 167.5 - 170 - 172.5 - 175 - 177.5 - 180mm.
CHAINRINGS: FOR 1/2" CHAIN - FROM 42 TO 57 TEETH

1050 - RECORD CHAINWHEEL SET - TRACK BOTTOM BRACKET

SPARE PARTS



1046 **Cotterless** Record bottom bracket (unless otherwise requested it will be supplied with 65-P-110 spindle and 36 x 24 F. cups)

1051 **Track** chainwheel set (unless otherwise requested it will be supplied with 170 mm. cranks and with 24 teeth chainrings for 1" x 3/16" (4,6 mm.) chain)

CRANKS: LENGTH 165 - 167.5 - 170 - 172.5 - 175 - 177.5 - 180 mm.

CHAINRINGS: FOR 1" CHAIN - FROM 22 TO 35 TEETH
FOR 1/2" CHAIN - FROM 44 TO 70 TEETH

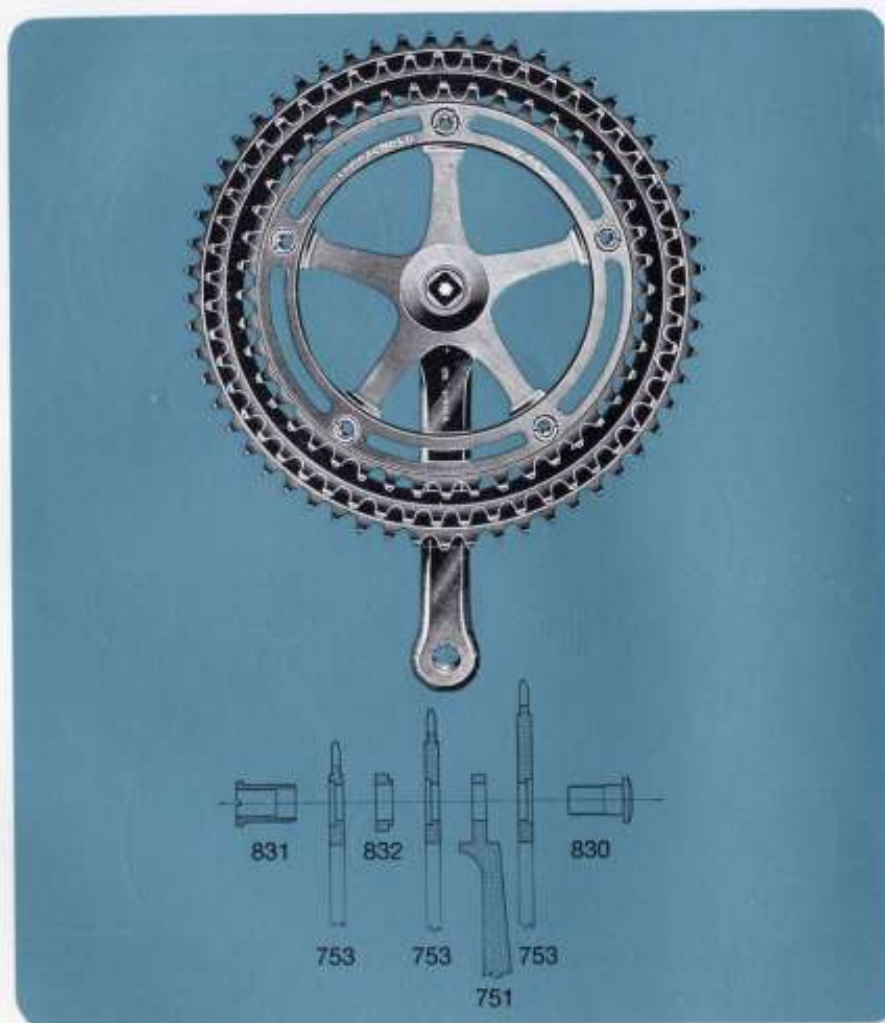
For sizes and details of the Record bottom bracket see page No. 24

744 **Cotterless** road spindle
745 **Fixed** cup
746 **Adjustable** cup
747 **Lock** ring
748 **Fixing** screw
749 **Fixing** washer

756 **Crank** cover plate
757 **Track** right hand crank (complete with cover No. 756) - please specify length
758 **Track** left hand crank (complete with cover No. 756) - please specify length
759 **Track** chainring for 1" x 3/16" (4,6 mm.) chain - also available for 1" x 1/8" (3 mm.) chain. Please specify number of teeth
760 **Track** chainring for standard chain 1/2" x 1/8" (3 mm.) - Please specify number of teeth.
761 **Track** chainwheel fastening screw
762 **Track** chainwheel fastening nut

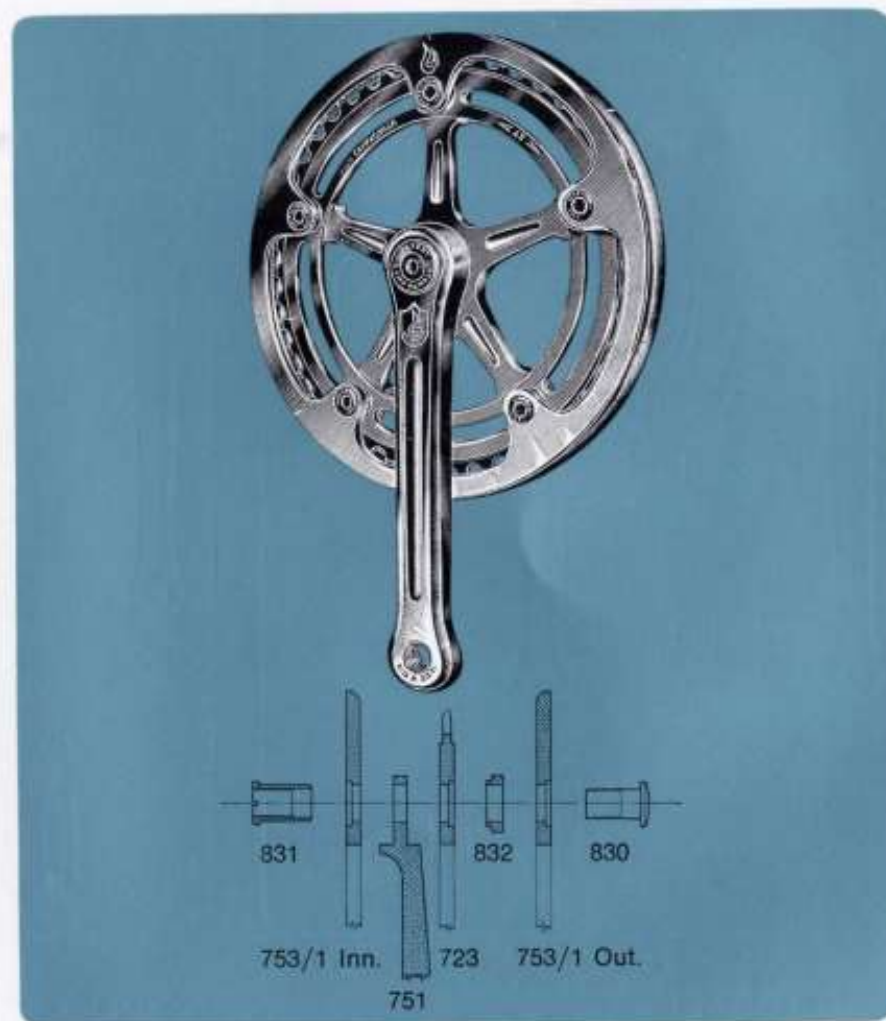
CAMPAGNOLO ROAD SPECIAL CHAINWHEEL SETS

RIGHT HAND CRANK WITH TRIPLE CHAINRING



- 751 **Road** right hand crank (complete with cover No. 756)
Please specify length
- 753 **Chainring** for 1/2" x 3/32" chain (2 mm.)
Please specify number of teeth
- 830 **Triple** chainring fixing bolt
- 831 **Nut** for bolt No. 830
- 832 **Triple** chainring spacer

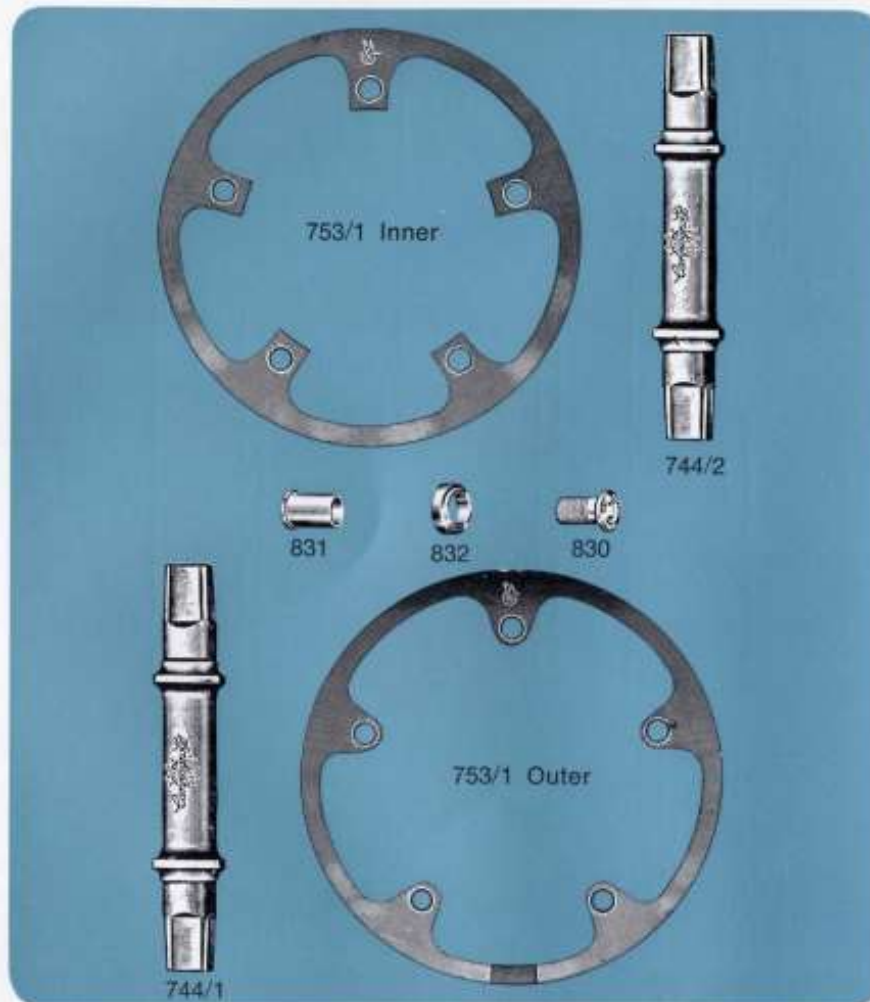
CYCLOCROSS RIGHT HAND FLANGED CRANK



- 751 **Road** right hand crank (complete with cover N. 756)
Please specify length
- 753 **Chainring** for 1/2" x 3/32" chain (2 mm.)
Please specify number of teeth
- 753/1 **Cyclocross** inner flange
- 753/1 **Cyclocross** outer flange
- 830 **Triple** chainring fixing bolt
- 831 **Nut** for bolt No. 830
- 832 **Triple** chainring spacer

CAMPAGNOLO ROAD SPECIAL CHAINWHEEL SETS SPARE PARTS

SPARE PARTS



- 744/1 Triple chainring cotterless spindle
- 744/2 Cyclocross cotterless spindle
- 753/1 Cyclocross inner flange
- 753/1 Cyclocross outer flange
- 830 Triple chainring fixing bolt
- 831 Nut for bolt No. 830
- 832 Triple chainring spacer

SLEEVED CRANK FOR 42 TEETH CHAINRING



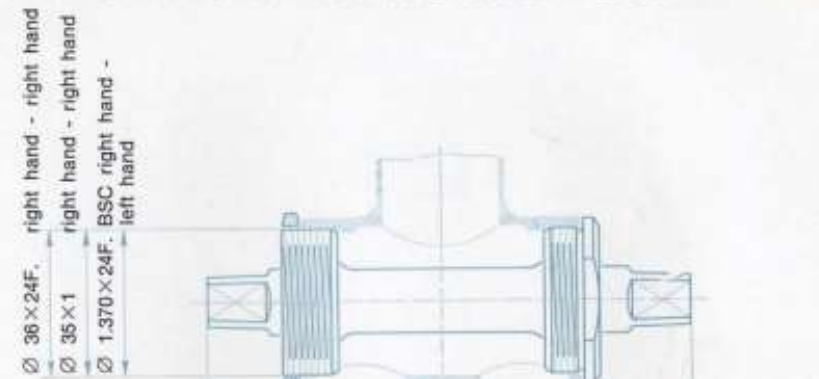
IMPORTANT: When ordering spare chainrings specify if are to be fitted on cranks for chainrings with 42 teeth onwards or from 44 teeth onwards.

1046 - CAMPAGNOLO RECORD BOTTOM BRACKET SET



- 744 Cotterless road spindle
- 745 Fixed cup
- 746 Adjustable cup
- 747 Lockring 3,5 mm. standard size
(available also in 4 and 4,5 mm.)
- 748 Fixing screw
- 749 Fixing washer
- 2100 Bottom bracket special ball races

CUPS WITH A 0,5 mm. INCREASED THREAD AVAILABLE



	BRACKET SERIAL NUMBER	BRACKET WIDTH				AXLE OVERALL LENGTH	
TRACK	65-P-110	16	3,5	65	3,5	16	104 mm
	68-P-110	14,5	3,5	68	3,5	15,5	105 mm
	68-P-120	17	3,5	68	3,5	17	109 mm
	70-P-120	16	3,5	70	3,5	16	109 mm
ROAD	68-SS-120	17	3,5	68	3,5	20	112 mm
	70-SS-120	17	3,5	70	3,5	19	113 mm
	74-SS-120	17	3,5	74	3,5	19	117 mm

Details of the bracket serial number (ex.: 65-P-110)

- The number (65) indicates the bracket width
- (P) indicates track
- (SS) indicate road
- The number (110) indicates the suggested width of the rear hub for a perfect chain line (see pages 40-41)

BRACKET SETS ORDERED WITHOUT SPECIFICATION WILL BE SUPPLIED AS FOLLOWS:

For ROAD

- Axle 70-SS-120
- Cups \varnothing 36 x 24 F.

For TRACK

- Axle 65-P-110
- Cups \varnothing 36 x 24 F.

1046/a - CAMPAGNOLO NUOVO RECORD

BOTTOM BRACKET SET WITH SPECIAL AXLE AND CUPS



- 744/a Cotterless road spindle
- 745/a Fixed cup
- 746/a Adjustable cup
- 747 Lockring 3,5 mm. standard size (available also in 4 and 4,5 mm.)
- 748 Fixing screw
- 749 Fixing washer
- 2100 Bottom bracket special ball races
- 2110 Record sleeve
- 2110/1 Cone for Record sleeve

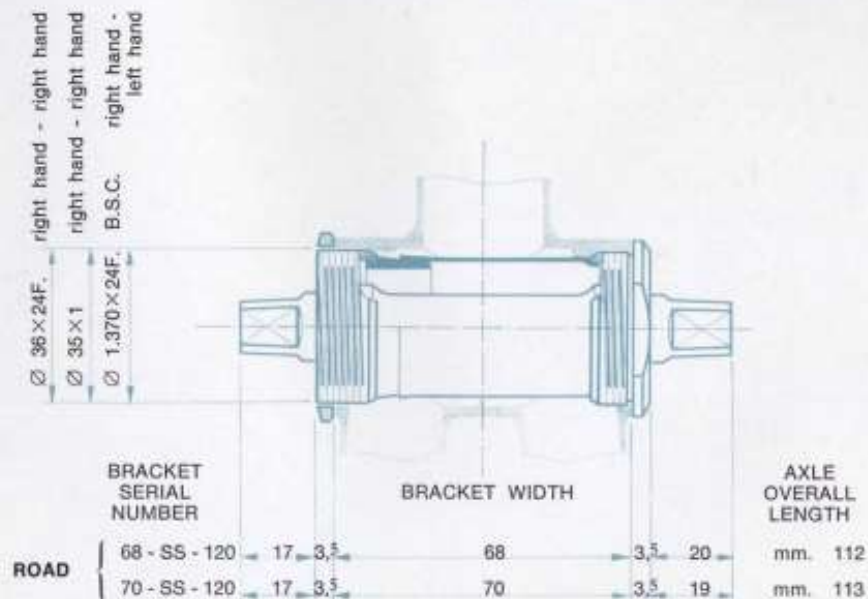
CUPS WITH A 0,5 mm. INCREASED THREAD AVAILABLE

Details of the bracket serial number (ex. 68-SS-120)

- the number (68) indicates the width
- (SS) indicate road
- the number (120) indicates the suggested width of the rear hub for a perfect chain line (see pages 40-41)

BRACKET SETS ORDERED WITHOUT SPECIFICATION WILL BE SUPPLIED AS FOLLOWS:

- 70-SS-120 axle
- cups thread $\varnothing 36 \times 24F$.



CAMPAGNOLO RECORD HEADSET

1039 ROAD TYPE



- 681 Locking nut
- 682 Locking washer
- 683 Screwed race
- 684 Top head race (0,5 mm. larger gauge available)
- 685 Bolton head race (0,5 mm. larger gauge available)
- 686 Crown race (smaller diameter available)
- 693/1 Steerer
- 2101 Road headset special ball races

1040 TRACK TYPE



- 681 Locking nut
- 682 Locking washer
- 687 Track screwed race
- 688 Top head race (0,5 mm. larger gauge available)
- 689 Bottom head race (0,5 mm. larger gauge available)
- 690 Crown race (smaller diameter available)
- 2102 Track headset special ball races



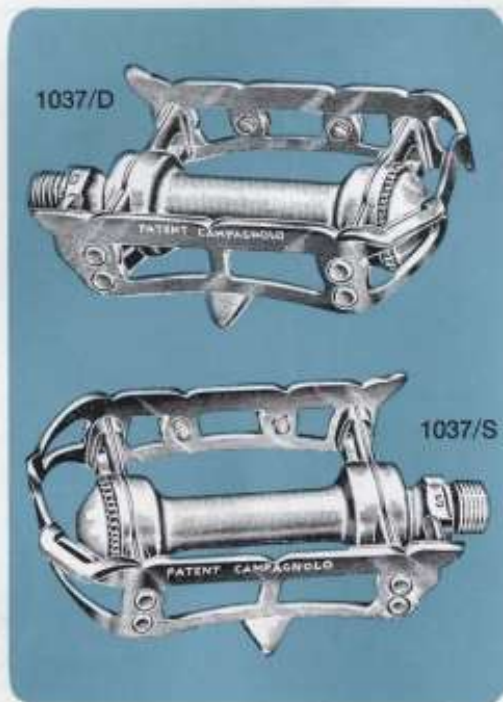
693/1

HEADSET ORDERED WITHOUT SPECIFICATION WILL BE SUPPLIED WITH $\varnothing 25,4 \times 24F$. THREAD
HEADSETS WITH $\varnothing 25 \times 1$ AND $\varnothing 1" \times 24$ T.P.I. B.S.C. THREADS AVAILABLE

CAMPAGNOLO HEADSETS ARE SUPPLIED COMPLETE WITH SPECIAL BALL RACES ($\varnothing 3/16"$ FOR ROAD AND $\varnothing 5/32"$ FOR TRACK)
STEERER AVAILABLE WITH THREAD $\varnothing 25,4 \times 24F$. AND WITH LENGTHS 160-180-200-220-250-270 mm.

CAMPAGNOLO RECORD PEDALS

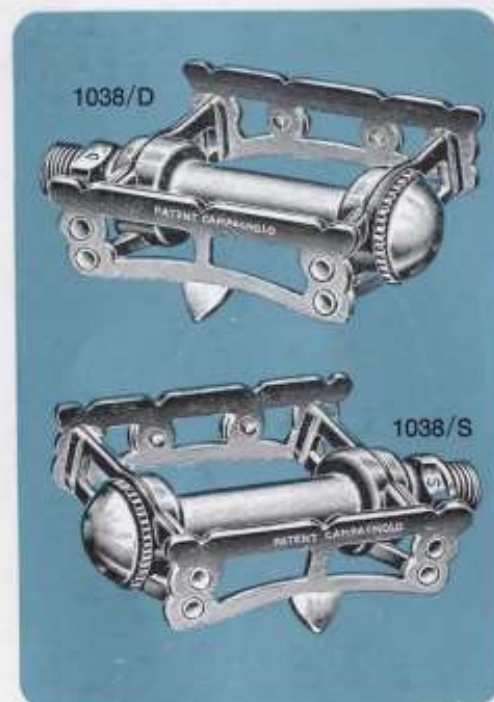
1037 ROAD TYPE



1037/D Road right hand pedal

1037/S Road left hand pedal

1038 TRACK TYPE

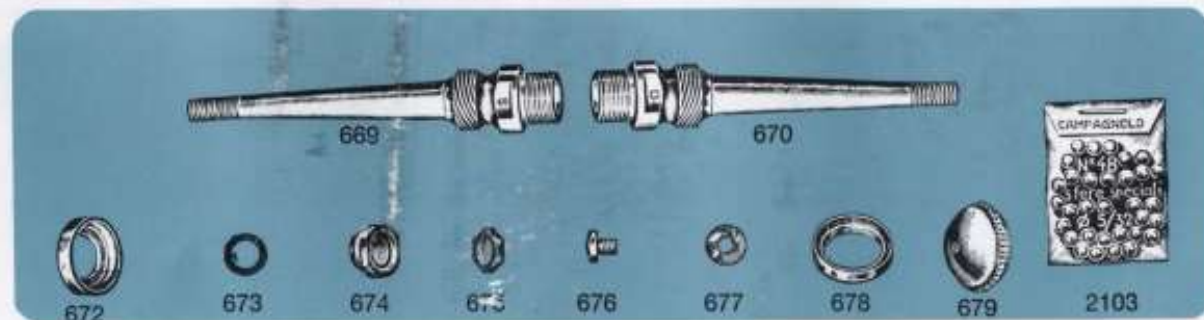


1038/D Track right hand pedal

1038/S Track left hand pedal

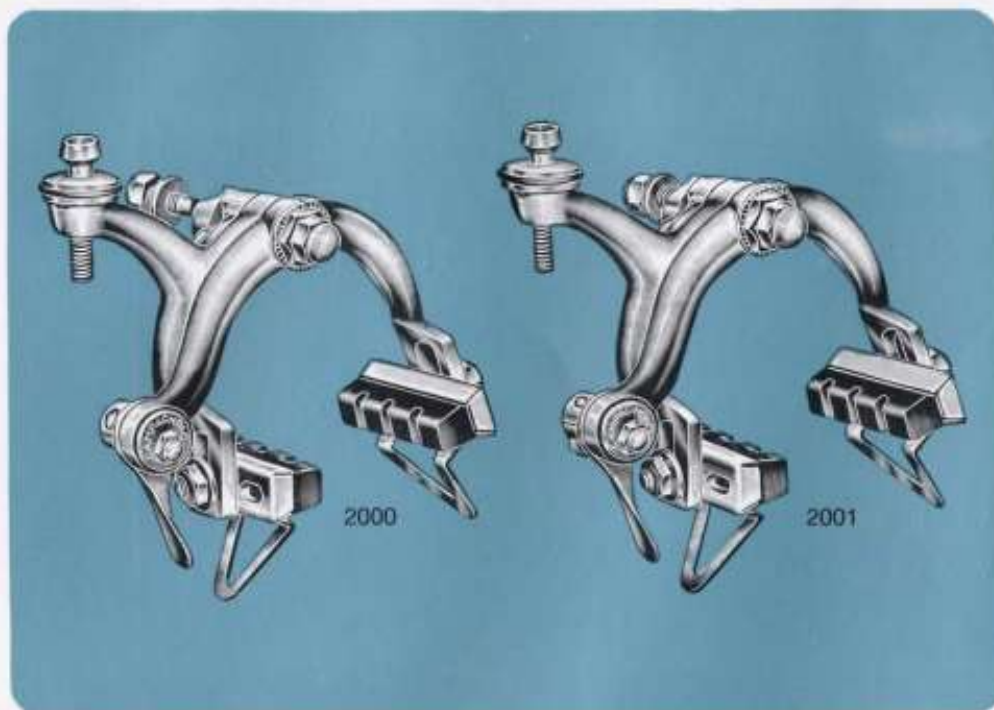
SPARE PARTS

- 669 Left hand pedal axle
- 670 Right hand pedal axle
- 672 Inserted race
- 673 Pedal axle washer
- 674 Pedal axle cone
- 675 Pedal axle lock nut
- 676 Toe clip bolt
- 677 Toe clip washer
- 678 Inner dust cap
- 679 Pedal dust cap
- 2103 Pedal special ball races



UNLESS OTHERWISE REQUESTED, PEDALS WILL BE SUPPLIED WITH \varnothing 9/16" \times 20F. SPINDLE
 PEDALS WITH \varnothing 14 \times 1,25 SPINDLES THREAD AVAILABLE

2040 - **CAMPAGNOLO** RECORD BRAKES AND CONTROL LEVERS



2000 **Front** brake

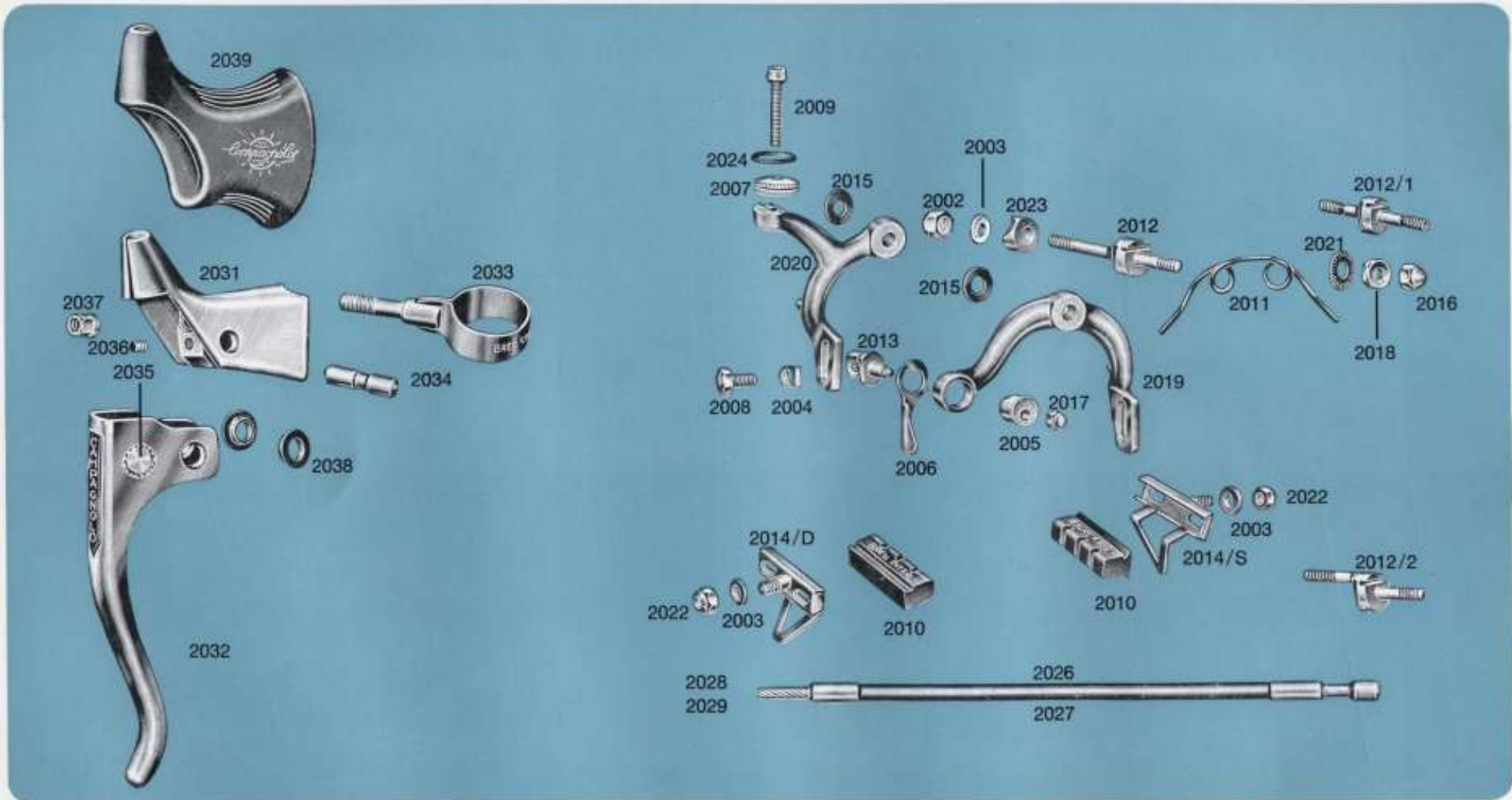
2001 **Rear** brake



2030 **Brake** quick release lever

IF REQUESTED OUTER CASINGS AND CABLES ARE FURNISHED INCREASED OF 6 cm (SEE NORMAL MEASURES AT PAGE 29)

CAMPAGNOLO RECORD BRAKES AND CONTROL SYSTEM SPARE PARTS



- 2002 Centre bolt fixing nut
- 2003 Brake shoe washer
- 2004 Clamp bolt washer
- 2005 Cam
- 2006 Quick release cam lever
- 2007 Adjusting nut
- 2008 Cable clamp bolt
- 2009 Adjusting screw
- 2010 Brake block
- 2011 Tension screw
- 2012 Front brake centre bolt
- 2012/1 Rear brake centre bolt
- 2012/2 Rear brake centre bolt

- 2013 Cable clamp
- 2014/D Right hand brake shoe
- 2014/S Left hand brake shoe
- 2015 Friction washer
- 2016 Domed nut
- 2017 Cam locking nut
- 2018 Locking nut
- 2019 Front stirrup
- 2020 Rear stirrup
- 2021 Serrated washer
- 2022 Brake shoe nut
- 2023 Concave washer
- 2024 Adjusting rubber

- 2026 Front brake outer cable (56 cm.)
- 2027 Rear brake outer cable (114 cm.)
- 2028 Front inner cable (68 cm.)
- 2029 Rear inner cable (126 cm.)
- 2031 Lever hood
- 2032 Lever
- 2033 Brake lever clip
- 2034 Lever pivot pin
- 2035 Cable nipple holder
- 2036 Grub screw
- 2037 Clamp nut
- 2038 Lever bush
- 2039 Rubber lever hood

CAMPAGNOLO SEAT PIN

1044 FOR WIDE CRADLE SADDLES
WITH SHORT ADJUSTMENT



SPARE PARTS



- 698 Front bracket
- 699 Rear bracket
- 700 Bolt nut
- 701 Left hand side support
- 702 Right hand side support
- 703 Fixing and adjusting bolt

WHEN ORDERING PLEASE SPECIFY:

- PIN DIAMETER AS PER ONE OF THE GIVEN SIZES: 25 - 25.8 - 26 - 26.2 - 26.4 - 26.6 - 26.8 - 27 - 27.2 - 27.4.
- LENGTH OF THE PIN - STANDARD (130 mm.) — LONG (180 mm.)

1045 FOR NARROW CRADLE SADDLES
WITH LONG ADJUSTMENT

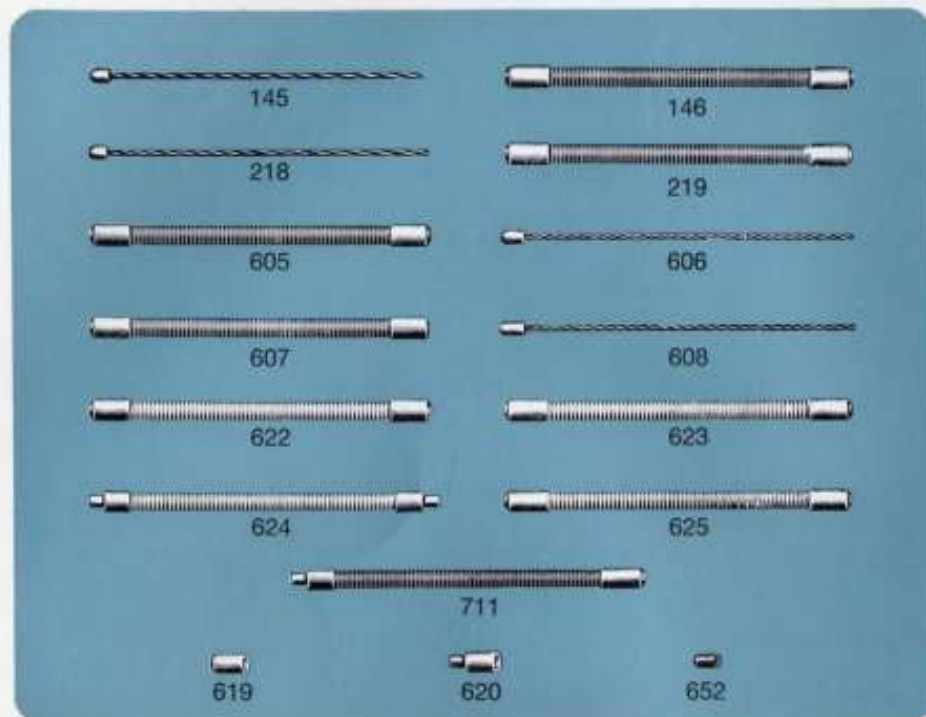


SPARE PARTS



- 700 Bolt nut
- 703 Fixing and adjusting bolt
- 765 Front and rear clamp
- 766 Right and left hand support

OUTER AND INNER CABLES



- 145 Rear derailleur cable to handlebar control (197 cm.)
- 146 Rear derailleur outer casing to handlebar control (185 cm.)
- 218 Front changer cable to handlebar control (150 cm.)
- 219 Front changer outer casing to handlebar control (140 cm.)
- 605 Gear outer casing (105 cm.)
- 606 Gear cable to frame control (118 cm.)
- 607 Down tube front outer casing (59 cm.)
- 608 Front changer cable to frame control (70 cm.)
- 619 Outer casing ferrule
- 620 Spindled ferrule
- 622 Rear derailleur steel outer casing (21 cm.)
- 623 Front changer steel outer casing (15,5 cm.)
- 624 Chainstay outer casing (10 cm.)
- 625 Steel outer casing to down tube handlebar control (75 cm.)
- 652 Safety cable
- 711 Gear vipla outer casing (23 cm.)

CLIPS



- 147 Twin outer cable clip (28 mm. Ø)
- 148 Outer cable clip (28 mm. Ø)
- 149 Outer cable clip (22 mm. Ø)
- 170 Outer cable clip (13 mm. Ø)
- 171 Clip bolt
- 172 Nut for bolt 171
- 215 Cage spanner bolt
- 217 Cage spacer bolt nut
- 609 Clip bolt and nut
- 626/a Double stop clip for down tube controls
- 627/a Down tube tunnel R/H for gear
- 628 Front changer clip
- 629 Double stop cable clip for handlebar control
- 630 Clip-on-tunnel and stop with pump holder D/T
- 631 Clip-on-tunnel and stop with pump holder S/T
- 632 Pump holder
- 633 Clip with pump holder for 10-speed handlebar stops
- 636 Stop clip on chainstay for rear derailleur
- 647 Adaptor shim when fitting 632 to down tube
- 648 Pump peg holder
- 649 Brake cable clip
- 659 Outer cable clip (15 mm. Ø)

CLIPS WITH CAMPAGNOLO QUICK-RELEASES



1220

1220 CLIP WITH QUICK-RELEASE

- 1222 **Clip body** (please specify body diameter)
- 1223 **Spindle**
- 1224 **Adjusting nut**
- 1232 **Lever**
- 1301 **Lever block**
- 1303 **Circlip**
- 1304 **Tension spring**



1230

1230 CLIP WITH INCORPORATED QUICK-RELEASE

- 1224 **Adjusting nut**
- 1231 **Clip body** (please specify body diameter)
- 1232 **Lever**
- 1233 **Spindle**
- 1303 **Circlip**



1240

1240 SPECIAL QUICK-RELEASE BOLT

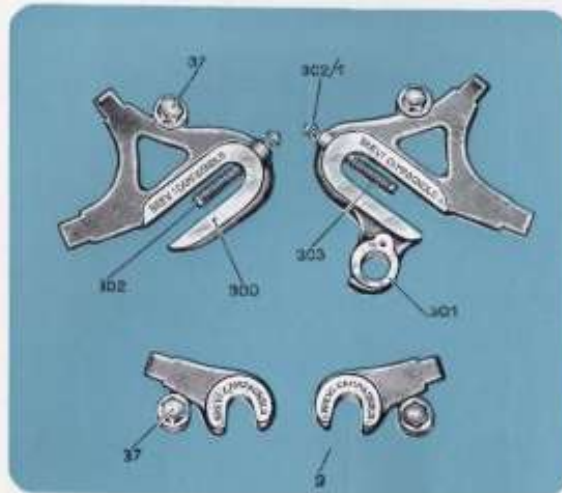
- 1223 **Spindle**
- 1224 **Adjusting nut**
- 1225 **Spacing washers**
- 1232 **Lever**
- 1301 **Lever block**
- 1303 **Circlip**
- 1304 **Tension spring**



WHEN ORDERING PLEASE ALWAYS SPECIFY THE DESIRED DIAMETER OF CLAMP

CAMPAGNOLO REAR AND FRONT FORK ENDS

1010 RECORD SET



- 2 **Front fork ends**
- 37 **Screw and washer**
- 300 **Left hand rear end**
- 301 **Right hand rear end**
- 302 **Adjusting bolt**
- 302/1 **Nut for bolt 302**
- 303 **Adjusting bolt spring**

1010/1 SPORT SET



- 310 **Left hand rear end**
- 311 **Right hand rear end**
- 312 **Front fork ends**

1053 TRACK SET



- 664 **Rear fork ends**
- 665 **Front fork ends**

1060 RACING SET



- 1061 **Left hand rear end**
- 1062 **Right hand rear end**
- 1063 **Front fork ends**

SPECIAL PUMP ADAPTORS



1030

1030/1



1030/2

1030/3

SPARE PARTS



640

641

642

643

644

645

646

653

- 640 Rubber cap
- 641 Milled nut
- 642 Rubber washer
- 643 Rubber washer for tubular valves
- 644 Rubber washer for pump connector 1030
- 645 Connecting screw
- 646 Rubber washer for pump connectors 1030/1 and 1030/2
- 653 Rubber washer for pump connector 1030/3
- 1030 Pump connector for British pumps complete with 7/32" or 7 x 1 locking screw
- 1030/1 Pump connector for Italian pumps with 9 x 1.25 locking screw
- 1030/2 Pump connector for Italian Silca Impero pumps with 9 x 1.25 squared boss
- 1030/3 Pump connector for French pumps with 5 x 1 or 7 x 1 locking screw

SUNDRIES



764



763



55



651



128/1

80/1

- 55 Spoke disc (specify if for 4 or 5 sprockets)
- 80/1 Gear fixing plate
- 128/1 Rear fork end bolt
- 651 Freewheel spacer (1 - 1.5 - 2 mm. thick)
- 763 Standard sprocket for 1/2" x 1/8" 3 mm. chain. (Sprockets with 12 - 13 - 14 - 15 - 16 teeth available)
- 764 Racing chain sprocket for 1" x 3/16 (4,6 mm.) chain. (Sprocket with 6 - 7 - 8 or for 1" x 1/8" chain available)

SPECIAL GREASE



100 GRS. TIN

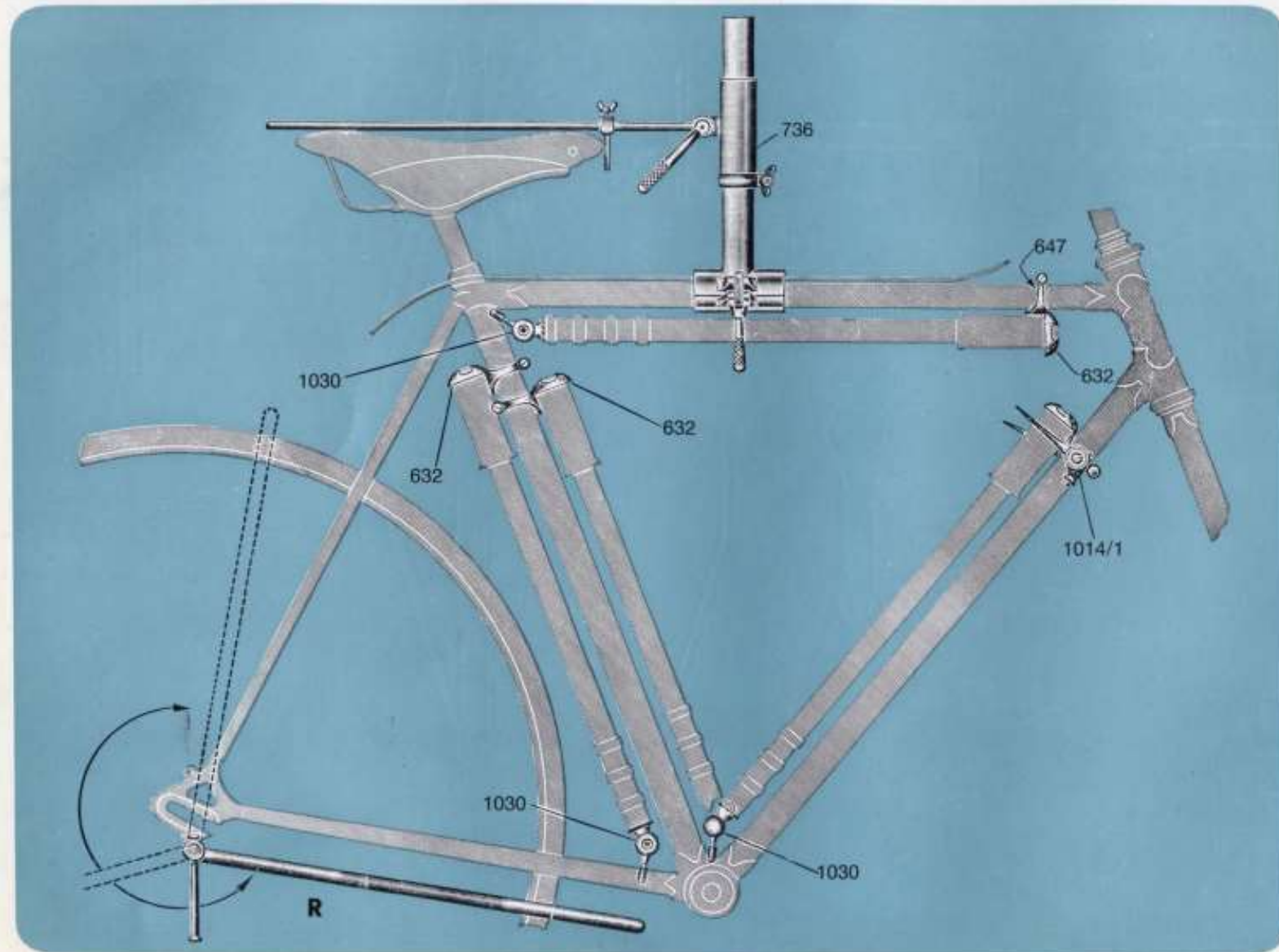


500 GRS. TIN



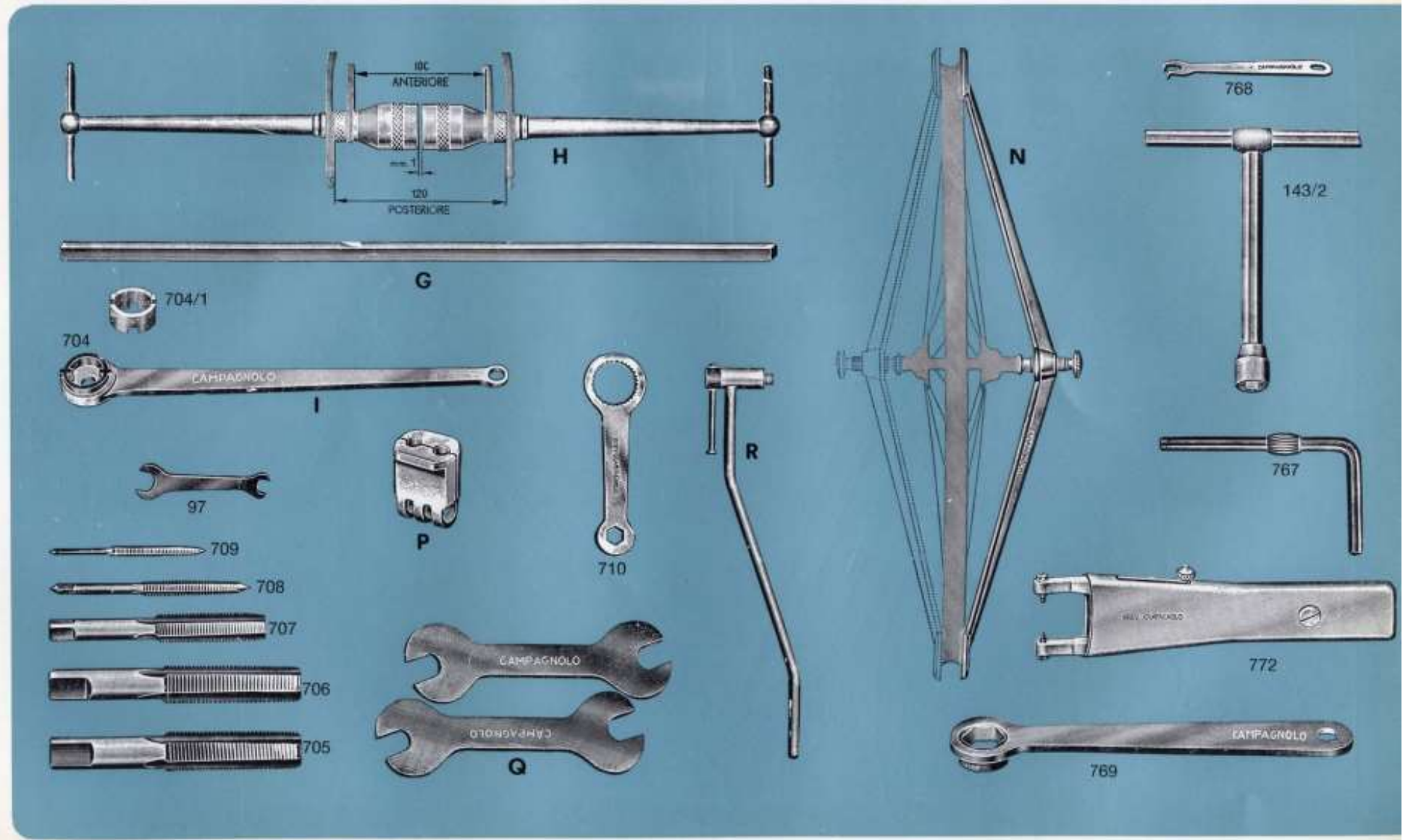
1 KG. TIN

CAMPAGNOLO PUMP CLIP AND SPECIAL PUMP CONNECTOR FOR DIFFERENT POSITIONS

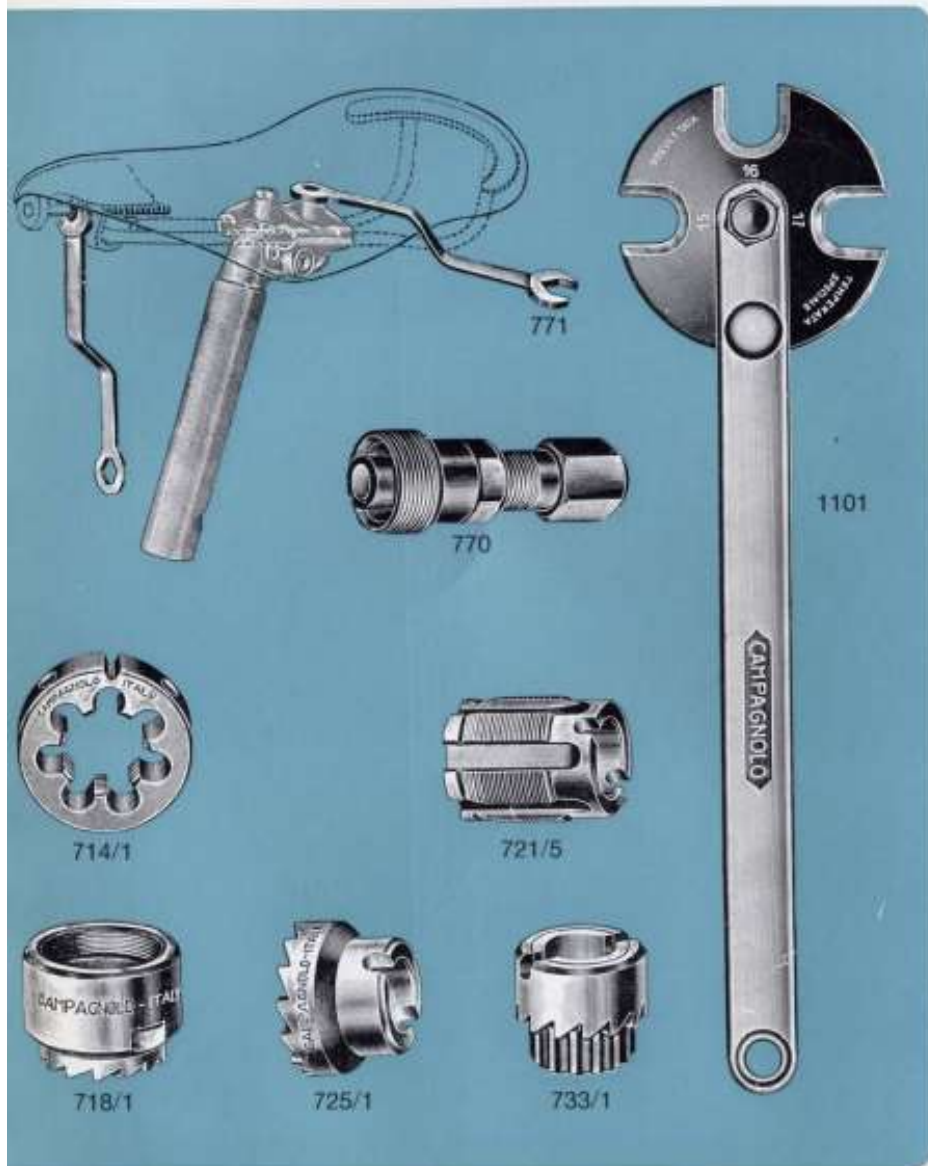


- 632 **Pump holder**
- 647 **Adaptor** shim when fitting 632 to down tube
- 736 **Saddle line alignment**
- 1014/1 **Twin down tube lever** with pump holder
- 1030 **Pump connector** (see models on page 34)
- R **Back stay tool** (see page 37)

CAMPAGNOLO

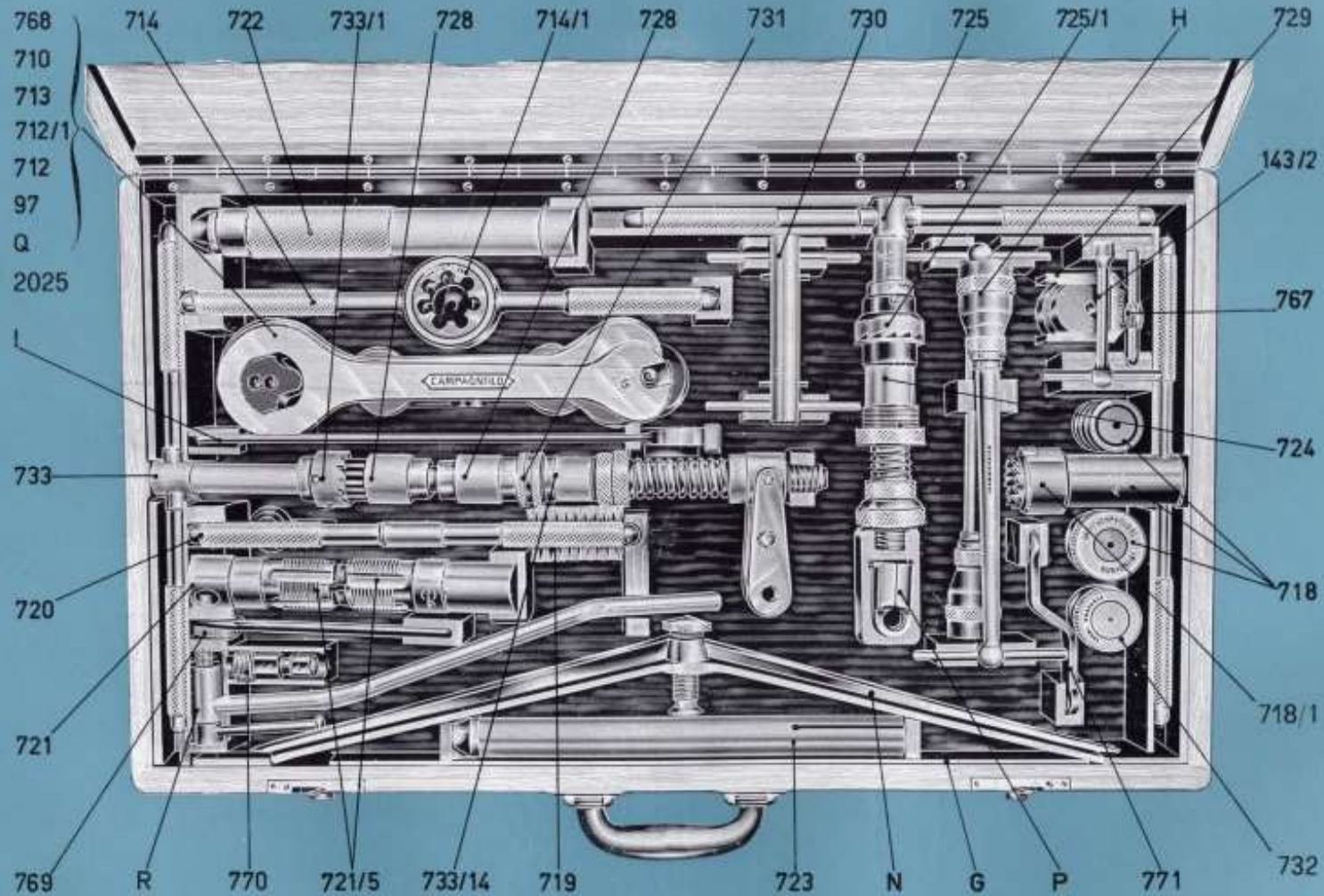


SPECIAL TOOLS



- G Straight edge
- H Back stay alignment tool
- I Freewheel removing tool complete
- N Wheel dish tool
- P Axle holding tool for 9 and 10 \emptyset
- Q Cone wrenches (two) 13-14 or 15-16
- R Back stay tool
- 97 Gear wrenches
- 143/2 « T » wrenches (6-8 mm)
- 704 Insert for freewheel removing tool fig. I
- 704/1 Reducing insert for 13T. freewheel
- 705 Pedal tap right hand (9/16" \emptyset \times 20 thread)
- 706 Pedal tap left hand (9/16" \emptyset \times 20 thread)
- 707 Gear hanger tap 10 \emptyset \times 26 thread
- 708 Madguard eye tap 5 \emptyset \times 0,8
- 709 Rear tip adjuster tap 3 \emptyset \times 0,5
- 710 Pedal wrenches
- 714/1 Fork column die
- 718/1 Head race mill
- 721/5 Bottom bracket tap
- 725/1 Crown race mill
- 733/1 Head race mill
- 767 « L » shaped chainwheel screw allen key
- 768 Chainwheel screw peg spanner
- 769 Cotterless B/B axle spanner
- 770 Cotterless crank extractor
- 771 Saddle spanner
- 772 Headsets pin spanner
- 793/a R/H bottom bracket cup remover (complete with pipe and fixing edge)
- 1101 Pedals spanner

CAMPAGNOLO COMPLETE TOOL CASE
 * **CAMPAGNOLO REDUCED TOOL CASE**



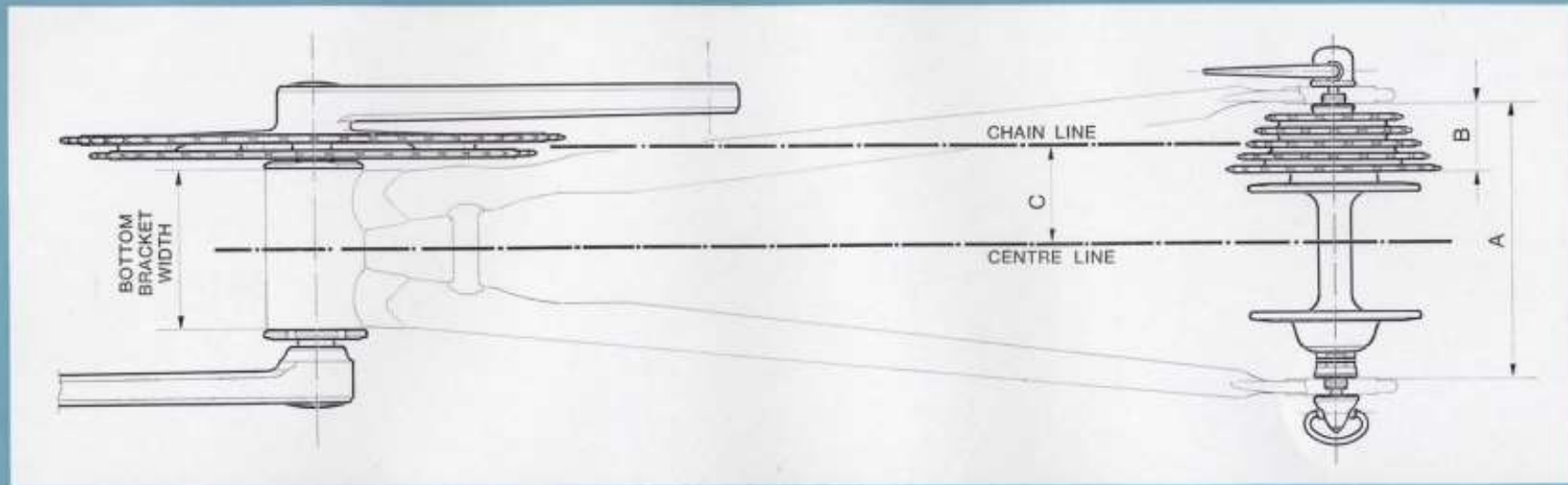
N.B. - THE REDUCED TOOL CASE IS INTENDED FOR ASSEMBLING OF HEADSETS AND BOTTOM BRACKET SETS ONLY

1102 - CAMPAGNOLO BICYCLE ASSEMBLING STAND

- 97 **Gear wrenches**
- 143/2 **« T » wrenches (6-8 mm.)**
- 710 **Pedal wrenches**
- * 712 **Bottom bracket locking tool**
- * 712/1 **Bottom bracket adjusting cone tool**
- * 713 **Bottom bracket stationary cone tool**
- 714 **Fork column die holder**
- 714/1 **Fork column die**
- * 718 **Crown race cutter**
- * 718/1 **Head race mill**
- 719 **Brush**
- * 720 **Handle for bottom bracket double tap**
- * 721 **Bottom bracket double tap**
- * 721/5 **Spare taps for art. 721**
- * 722 **Headset cup punch**
- 723 **Headset cup remover**
- * 724 **Bottom bracket cutter sleeve**
- 725 **Bottom bracket face cutter**
- * 725/1 **Spare mill for art. 725**
- * 726 **Sleeve for art. 733**
- * 729 **Fork crown cone remover**
- * 730 **Set of keys for sleeve No. 724**
- 731 **Headset jig**
- 732 **Fork crown jig**
- * 733/1 **Head race mill**
- * 733/14 **Centraliser sleeve for jig 733**
- * 767 **« L » shaped chainwheel screw allen key**
- 768 **Chainwheel screw peg spanner**
- 769 **Cotterless B/B axle spanner**
- * 770 **Cotterless crank extractor**
- 771 **Saddle spanner**
- 2025 **Special brake spanner**
- G **Straight edge**
- H **Back stay alignment tool**
- I **Freewheel removing tool complete**
- N **Wheel dish tool**
- P **Axle holding tool**
- Q **Cone wrenches (two) (13-14 mm.)**
- R **Back stay tool**

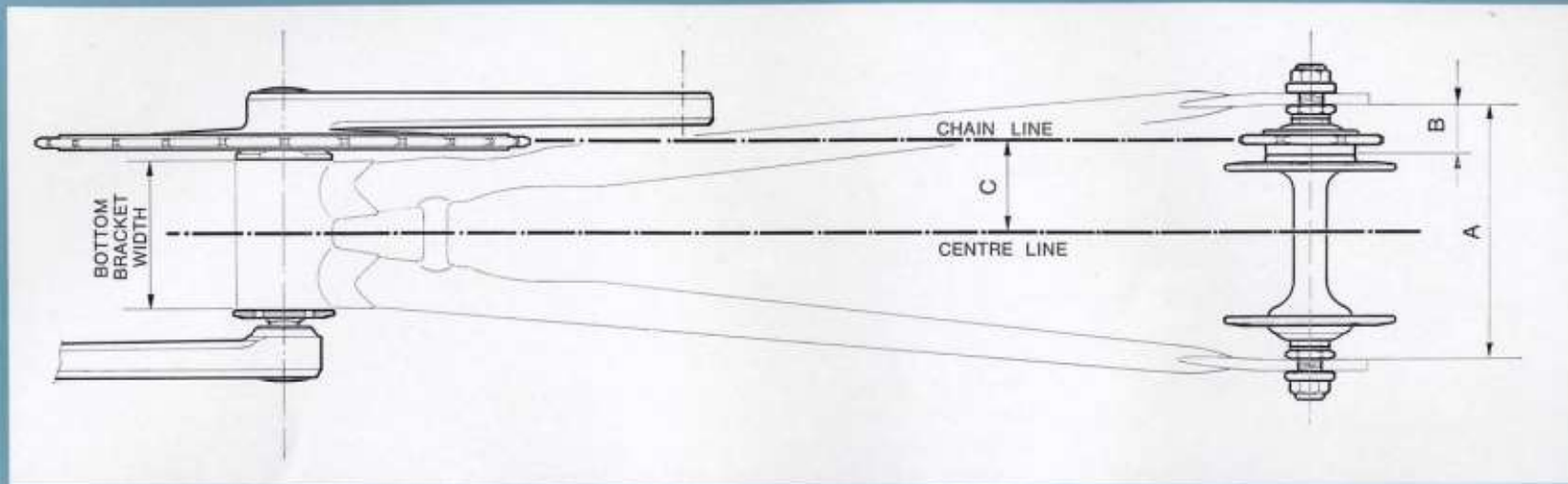


ROAD CHAIN LINE



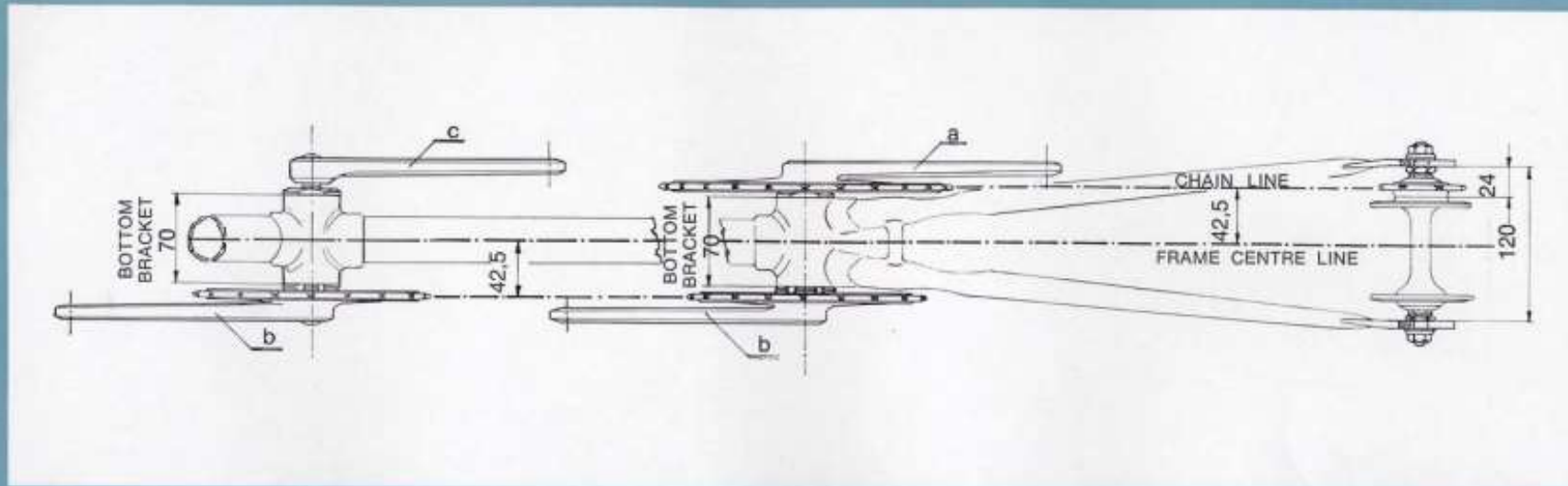
BOTTOM BRACKET WIDTH	REAR HUB WIDTH = A =	FREEWHEEL WIDTH = B =	CHAIN LINE = C =
68	120	29	43,5
70	120	29	43,5
74	120	29	43,5

TRACK CHAIN LINE



BOTTOM BRACKET WIDTH	REAR HUB WIDTH « A »	SPROCKET WIDTH « B »	CHAIN LINE « C »
65	110	21.5	40
68	110	21.5	40
68	120	24	42,5
70	120	24	42,5

TANDEM CHAIN LINE



- | | |
|---|--|
| a | TRACK RIGHT HAND STANDARD CRANK |
| b | TRACK RIGHT HAND CRANK WITH LEFT HAND THREAD |
| c | TRACK LEFT HAND CRANK WITH RIGHT HAND THREAD |

GEAR TABLES

Development in metres for a complete turn of cranks

With 670 mm. diameter wheels

Number of teeth on chainring	Number of teeth on freewheel sprocket																							
	6			7			8			9			10			11			12			13		
	12	13	14	15	16	17	18	19	20	21	22	23	24	25	26									
20 o 40	7.01	6.47	6.01	5.61	5.26	4.95	4.67	4.42	4.20	4.00	3.82	3.66	3.50	3.36	3.23									
41	7.19	6.63	6.18	5.75	5.39	5.07	4.79	4.53	4.31	4.10	3.92	3.75	3.59	3.44	3.31									
21 o 42	7.36	6.79	6.31	5.89	5.52	5.19	4.90	4.65	4.41	4.20	4.01	3.84	3.68	3.53	3.39									
43	7.54	6.96	6.46	6.03	5.65	5.32	5.02	4.76	4.52	4.30	4.11	3.93	3.77	3.61	3.47									
22 o 44	7.71	7.12	6.61	6.17	5.78	5.44	5.14	4.87	4.63	4.40	4.20	4.02	3.85	3.70	3.56									
45	7.89	7.28	6.76	6.31	5.91	5.57	5.26	4.98	4.73	4.50	4.30	4.11	3.94	3.78	3.64									
23 o 46	8.06	7.44	6.91	6.45	6.04	5.69	5.37	5.09	4.84	4.60	4.39	4.21	4.03	3.86	3.72									
47	8.24	7.60	7.06	6.59	6.18	5.81	5.49	5.20	4.94	4.70	4.49	4.30	4.12	3.95	3.80									
24 o 48	8.42	7.77	7.21	6.73	6.31	5.94	5.61	5.31	5.05	4.80	4.59	4.39	4.20	4.03	3.88									
49	8.59	7.93	7.36	6.87	6.44	6.06	5.72	5.42	5.15	4.91	4.68	4.48	4.29	4.12	3.96									
25 o 50	8.77	8.09	7.51	7.01	6.57	6.19	5.84	5.53	5.26	5.01	4.78	4.57	4.38	4.20	4.04									
51	8.94	8.25	7.66	7.15	6.70	6.31	5.96	5.64	5.36	5.11	4.87	4.66	4.47	4.28	4.12									
26 o 52	9.12	8.41	7.81	7.29	6.83	6.43	6.07	5.75	5.47	5.21	4.97	4.75	4.56	4.37	4.20									
53	9.29	8.58	7.98	7.43	6.96	6.56	6.19	5.86	5.57	5.31	5.06	4.84	4.62	4.45	4.28									
27 o 54	9.47	8.74	8.11	7.57	7.10	6.68	6.31	5.97	5.68	5.41	5.16	4.94	4.73	4.54	4.36									
55	9.64	8.90	8.26	7.71	7.23	6.80	6.42	6.08	5.78	5.51	5.25	5.03	4.82	4.62	4.45									
28 o 56	9.82	9.06	8.41	7.85	7.36	6.93	6.54	6.19	5.89	5.61	5.35	5.12	4.91	4.70	4.53									

With 680 mm. diameter wheels

Number of teeth on chainring	Number of teeth on freewheel sprocket																							
	6			7			8			9			10			11			12			13		
	12	13	14	15	16	17	18	19	20	21	22	23	24	25	26									
20 o 40	7.12	6.57	6.10	5.69	5.34	5.02	4.74	4.50	4.27	4.07	3.88	3.71	3.56	3.42	3.28									
41	7.30	6.73	6.25	5.84	5.47	5.15	4.86	4.60	4.37	4.17	3.98	3.80	3.64	3.50	3.36									
21 o 42	7.47	6.90	6.40	5.98	5.60	5.27	4.98	4.72	4.48	4.27	4.07	3.90	3.73	3.58	3.45									
43	7.65	7.06	6.56	6.12	5.74	5.40	5.10	4.83	4.59	4.37	4.17	3.99	3.82	3.67	3.53									
22 o 44	7.83	7.23	6.71	6.26	5.87	5.52	5.22	4.94	4.70	4.47	4.27	4.08	3.91	3.76	3.61									
45	8.01	7.39	6.86	6.40	6.00	5.65	5.34	5.06	4.80	4.57	4.37	4.18	4.00	3.84	3.69									
23 o 46	8.18	7.55	7.01	6.55	6.14	5.78	5.45	5.17	4.91	4.67	4.46	4.27	4.09	3.93	3.78									
47	8.36	7.72	7.17	6.69	6.27	5.90	5.57	5.28	5.02	4.78	4.56	4.36	4.18	4.01	3.86									
24 o 48	8.54	7.88	7.32	6.83	6.40	6.03	5.69	5.39	5.12	4.88	4.66	4.45	4.27	4.10	3.94									
49	8.72	8.05	7.47	6.97	6.54	6.15	5.81	5.50	5.23	4.98	4.75	4.55	4.36	4.18	4.02									
25 o 50	8.90	8.21	7.63	7.12	6.67	6.26	5.93	5.62	5.34	5.06	4.85	4.64	4.45	4.27	4.10									
51	9.07	8.36	7.78	7.26	6.81	6.40	6.05	5.73	5.44	5.18	4.95	4.73	4.54	4.35	4.19									
26 o 52	9.25	8.54	7.93	7.40	6.94	6.53	6.17	5.84	5.55	5.29	5.04	4.83	4.62	4.44	4.27									
53	9.43	8.70	8.08	7.54	7.07	6.66	6.29	5.95	5.66	5.39	5.14	4.92	4.71	4.52	4.35									
27 o 54	9.61	8.87	8.23	7.69	7.20	6.78	6.40	6.07	5.76	5.49	5.24	5.01	4.80	4.61	4.43									
55	9.79	9.03	8.38	7.81	7.31	6.87	6.49	6.16	5.83	5.58	5.33	5.10	4.89	4.69	4.51									
28 o 56	9.97	9.20	8.54	7.97	7.47	7.03	6.64	6.29	5.98	5.69	5.43	5.20	4.98	4.78	4.60									

With 690 mm. diameter wheels

Number of teeth on chainring	Number of teeth on freewheel sprocket																							
	6			7			8			9			10			11			12			13		
	12	13	14	15	16	17	18	19	20	21	22	23	24	25	26									
20 o 40	7.22	6.67	6.19	5.78	5.41	5.09	4.81	4.56	4.33	4.12	3.94	3.76	3.61	3.46	3.33									
41	7.40	6.83	6.34	5.92	5.55	5.22	4.93	4.67	4.44	4.23	4.03	3.86	3.70	3.55	3.41									
21 o 42	7.58	7.00	6.50	6.07	5.68	5.35	5.05	4.79	4.54	4.33	4.13	3.95	3.79	3.64	3.49									
43	7.76	7.16	6.65	6.21	5.82	5.47	5.17	4.90	4.65	4.43	4.23	4.05	3.88	3.72	3.58									
22 o 44	7.94	7.33	6.81	6.35	5.96	5.60	5.29	5.01	4.76	4.54	4.33	4.14	3.97	3.81	3.66									
45	8.12	7.50	6.98	6.50	6.09	5.73	5.41	5.13	4.87	4.64	4.43	4.24	4.06	3.90	3.74									
23 o 46	8.31	7.67	7.12	6.64	6.22	5.86	5.53	5.24	4.98	4.74	4.53	4.33	4.15	3.98	3.83									
47	8.49	7.83	7.27	6.79	6.36	5.98	5.65	5.35	5.09	4.85	4.63	4.42	4.24	4.07	3.91									
24 o 48	8.67	8.00	7.43	6.93	6.49	6.11	5.78	5.47	5.20	4.95	4.72	4.52	4.33	4.16	3.99									
49	8.85	8.16	7.58	7.08	6.63	6.24	5.90	5.58	5.30	5.05	4.82	4.61	4.42	4.24	4.08									
25 o 50	9.03	8.33	7.74	7.22	6.76	6.37	6.02	5.70	5.41	5.16	4.92	4.71	4.51	4.33	4.16									
51	9.21	8.50	7.89	7.37	6.90	6.50	6.14	5.81	5.52	5.26	5.02	4.80	4.60	4.42	4.24									
26 o 52	9.39	8.66	8.05	7.51	7.03	6.62	6.26	5.92	5.63	5.36	5.12	4.89	4.69	4.50	4.33									
53	9.57	8.83	8.20	7.65	7.17	6.75	6.38	6.04	5.74	5.47	5.22	4.99	4.78	4.59	4.41									
27 o 54	9.75	9.00	8.35	7.80	7.30	6.88	6.50	6.15	5.85	5.57	5.31	5.08	4.87	4.68	4.49									
55	9.93	9.16	8.51	7.94	7.44	7.00	6.62	6.27	5.95	5.67	5.41	5.18	4.96	4.76	4.58									
28 o 56	10.11	9.33	8.66	8.09	7.57	7.13	6.74	6.38	6.06	5.77	5.51	5.27	5.05	4.85	4.66									

GEAR TABLE 27" WHEELS

	36	38	40	42	44	45	46	47	48	49	50	51	52	54
12	81.0	85.5	90.0	94.5	99.0	101.2	103.5	105.0	108.0	110.3	112.5	114.7	117.0	121.5
13	74.7	78.9	83.1	87.2	91.4	93.4	95.5	97.6	99.7	101.8	103.8	105.9	108.0	112.1
14	69.4	73.3	77.1	81.0	84.8	86.7	88.7	90.6	92.6	94.5	96.4	98.3	100.3	104.1
15	64.8	68.4	72.0	75.6	79.2	80.9	82.8	84.6	86.4	88.2	90.0	91.8	93.6	97.2
16	60.8	64.1	67.5	70.9	74.2	76.0	77.6	79.3	81.0	82.7	84.4	86.1	87.7	91.1
17	57.2	60.3	63.5	66.7	69.9	71.5	73.0	74.6	76.2	77.8	79.4	81.0	82.6	85.7
18	54.0	57.0	60.0	63.0	66.0	67.5	69.0	70.5	72.0	73.5	75.0	76.5	78.0	81.0
19	51.2	54.0	56.8	59.7	62.5	64.0	65.4	66.8	68.2	69.6	71.0	72.5	73.9	76.7
20	48.6	51.3	54.0	56.7	59.4	60.8	62.1	63.4	64.8	66.1	67.5	68.8	70.2	72.9
21	46.3	48.9	51.4	54.0	56.6	57.9	59.1	60.4	61.7	63.0	64.3	65.5	66.8	69.4
22	44.2	46.6	49.1	51.5	54.0	55.2	56.4	57.7	58.9	60.1	61.4	62.6	63.8	66.2
23	42.3	44.6	47.0	49.3	51.6	52.8	54.0	55.2	56.3	57.5	58.7	59.9	61.0	63.4
24	40.5	42.7	45.0	47.2	49.5	50.7	51.7	52.9	54.0	55.1	56.2	57.3	58.5	60.7
25	38.9	41.1	43.2	45.4	47.5	48.6	49.7	50.8	51.8	52.9	54.0	55.1	56.2	58.3
26	37.4	39.5	41.5	43.6	45.7	46.7	47.8	48.8	49.8	50.9	51.9	52.7	54.0	56.1

GEAR RATIOS NOT SHOWN ABOVE MAY BE CALCULATED AS FOLLOWS

$$\text{GEAR} = \frac{\text{Number of teeth on C/ing}}{\text{Number of teeth on Sprocket}} \times \text{Diameter of rear wheel in inches}$$

1970 GEARCO 910